

Quad Limiter

# Schematic

**B I A M P<sup>®</sup>**

S Y S T E M S

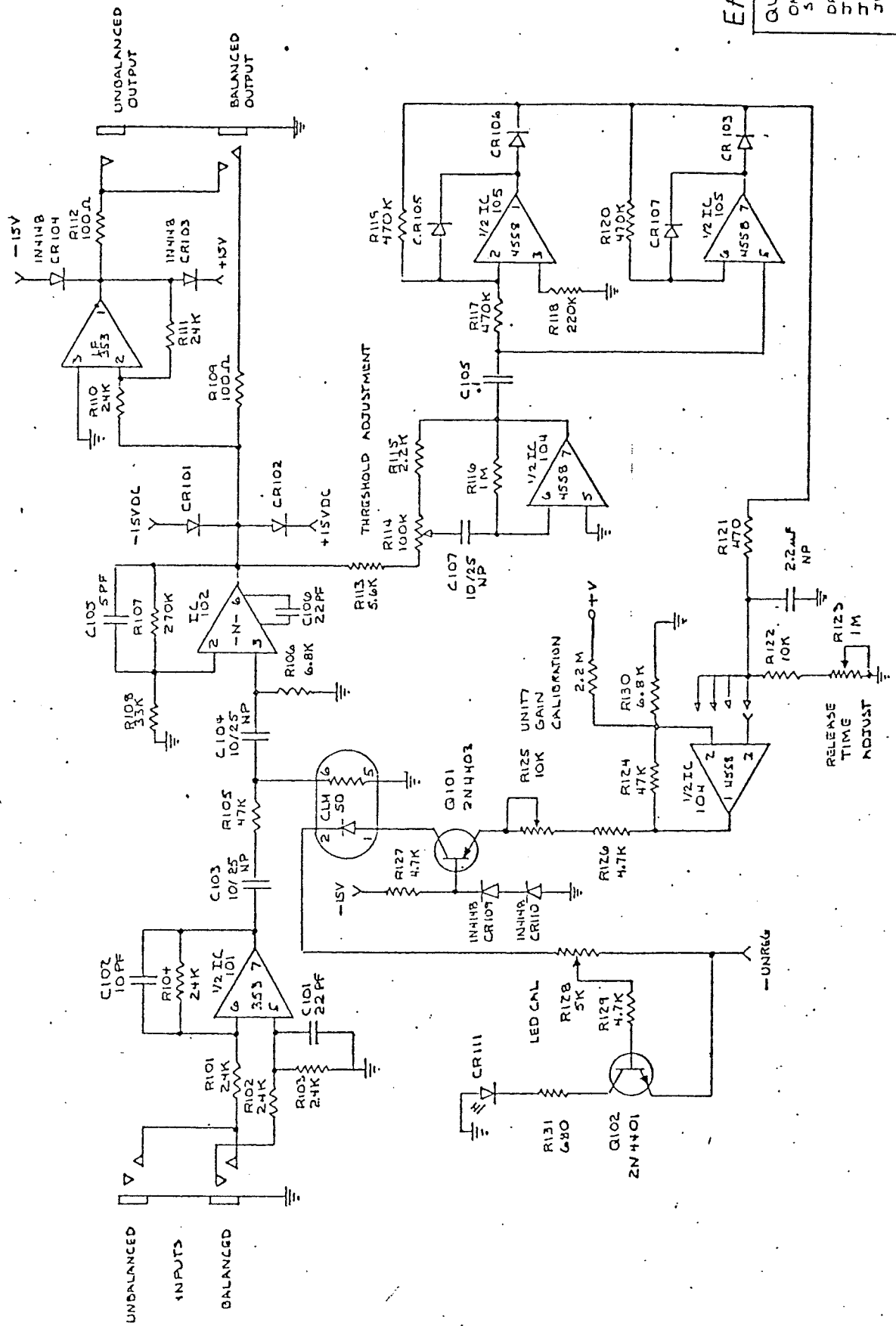
## Test and Calibration of the Early Production Quad Limiter

1. Set all front panel controls to their MAX CW rotation.  
Set all trim controls on the circuit board to the center  
Of their rotation.  
Set the DELAY control to its max CW position.
2. Adjust the generator output to -20DB.  
Connect the generator to the unbalanced IN jack of  
the channel under test.  
Connect the AC Voltmeter & Scope to the OUT jack of  
the channel under test.
3. Adjust RI25 for and output level of -20DB.
4. Re-adjust the generator output level to "0"DB. Rotate  
The front panel threshold control to its MAX CCW  
position. The output level should be between 11&15DB.
5. Set the threshold control to the "0" position. The out-  
Put level should be approx. 3DB+or - 1DB. Adjust  
R128 so that the front panel LED just begins to come  
on.
6. Test all balanced inputs & outputs.

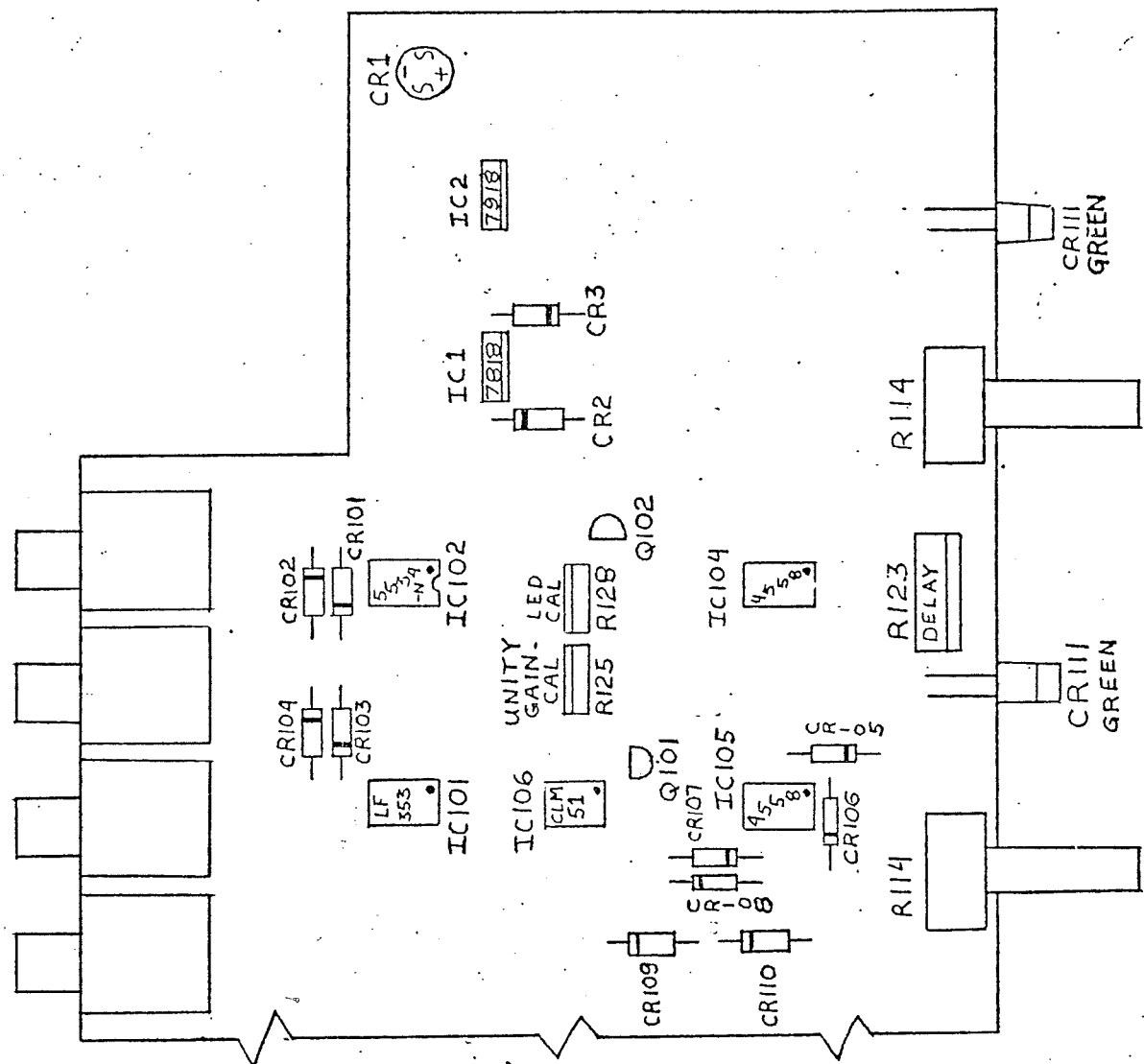
## Test Procedure for Quad Limiter

1. Set front panel controls to +18 db.
2. With a 0dBm input adjust new pot for unity gain.
3. Rotate front panel threshold control fully counterclockwise and adjust the 10k pot for -17db output.
4. Repeat steps 2 & 3.
5. Adjust front panel control for -3db output.
6. Adjust LED cal pot so LED just comes on.
7. Check output level with threshold control set at -10 dB. Level should be between -6dB & -8dB.

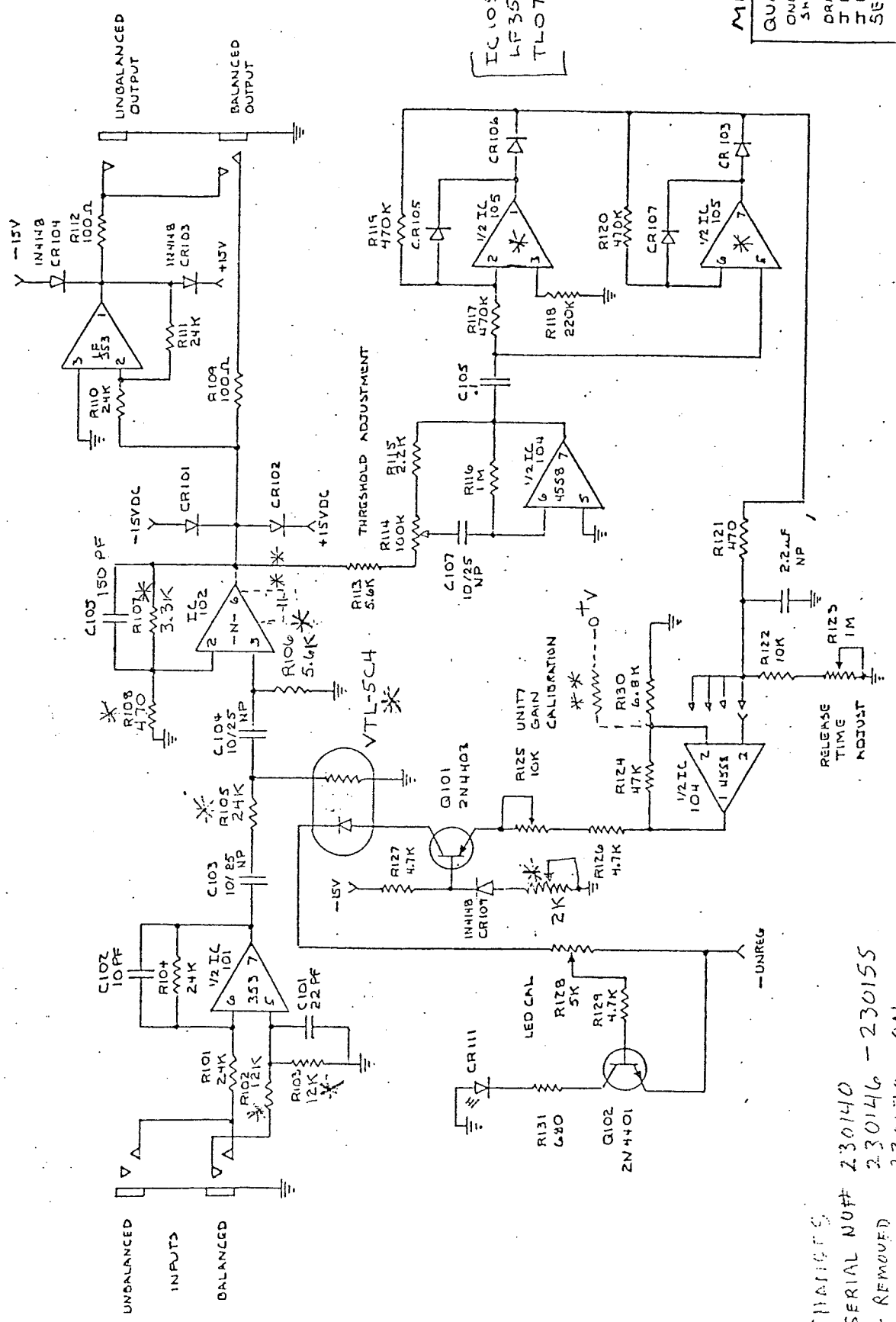
EARLY  
 QUAD LIMITER  
 ONE CHANNEL  
 SHOWN  
 DRAWN BY  
 J. PSYTON  
 J. DUNCAN  
 JULY 17, 1979



QUAD LIMITER  
 DRAWN BY  
 TOM HENRICKSEN  
 5/8/80



CHANNEL 4 SHOWN  
 PLUS POWER SUPPLY  
 ALL OTHER CHANNELS  
 ARE THE SAME.

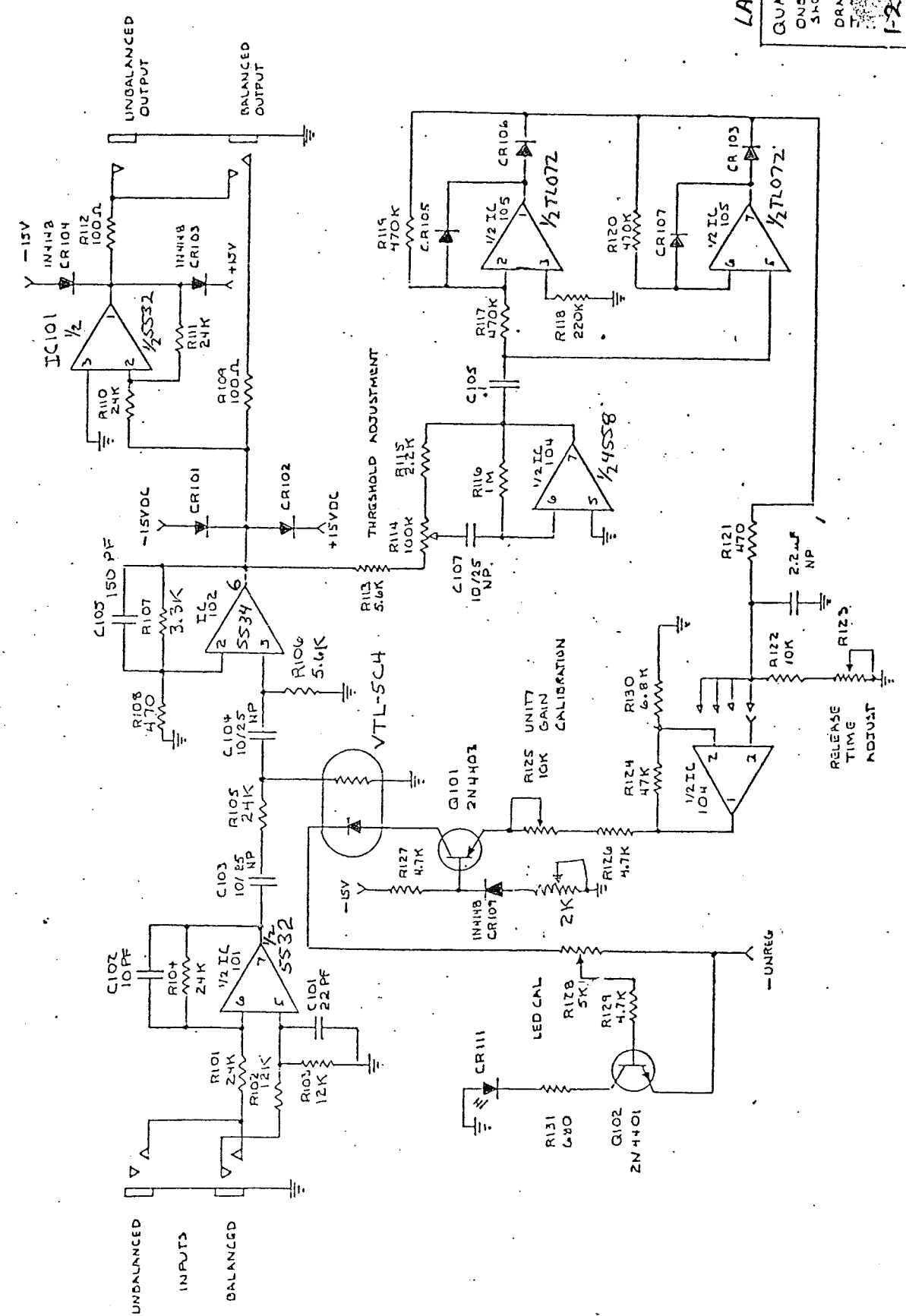


IC 105  
LF353  
TL072

MIDDLE  
QUAD LIMITER  
ONE CHANNEL  
SHOWN  
DRAWN BY  
J. P. YOUNG  
J. DUNCAN  
SEPT 10, 1981

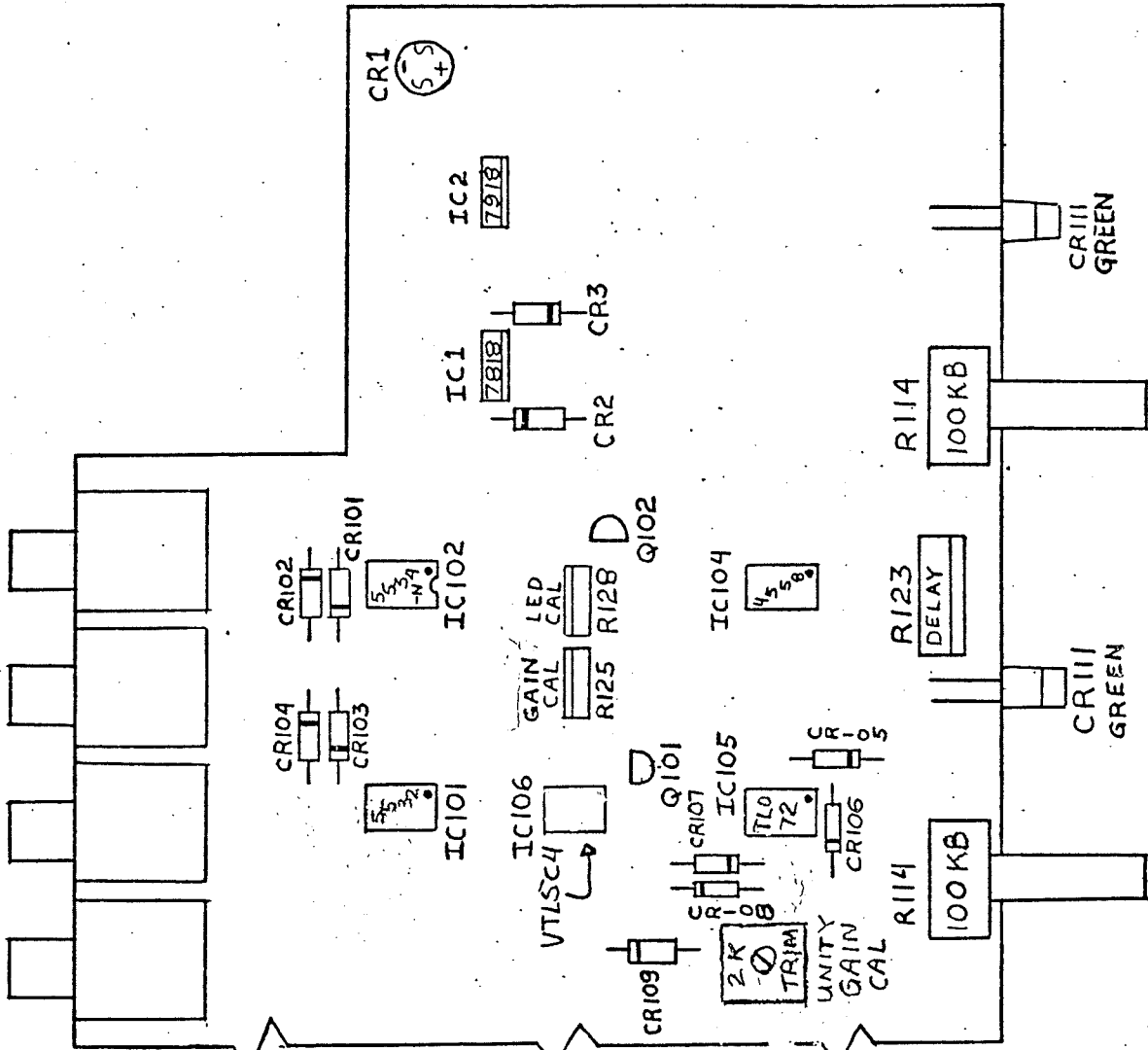
\* CHANGES  
SERIAL NOFF 230140  
230146 - 230155  
\*\* REMOVED  
230170 - ON

IC 101 = NE 5532  
 IC 102 = BIAMP N  
 IC 104 = 4558  
 IC 105 = TL072



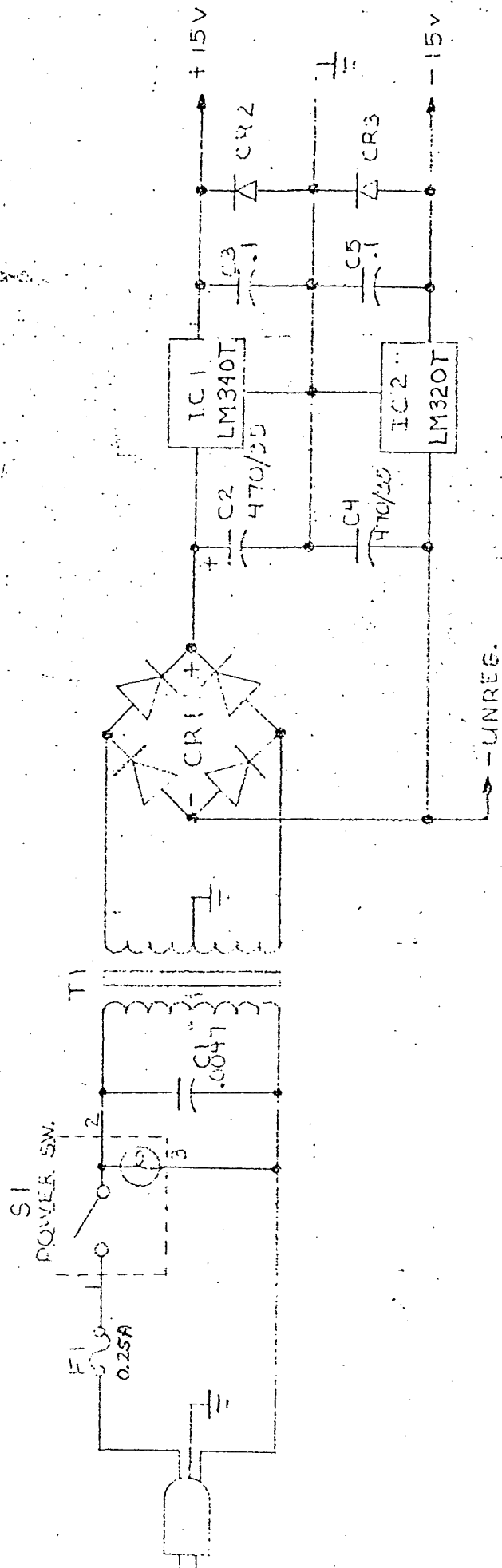
**LATE**  
 QUAD LIMITER  
 ONE CHANNEL  
 SHOWN  
 DRAWN BY  
 T. SYLTON  
 1-21-82

QUAD LIMITER  
 DRAWN BY  
 TOM HENRICKSEN  
 5/8/80  
 REVISED  
 9/10/82



CHANNEL 4 SHOWN  
 PLUS POWER SUPPLY  
 ALL OTHER CHANNELS  
 ARE THE SAME.





QUAD LIMITER  
 POWER SUPPLY  
 DRAWN BY J. PEYTON  
 APRIL 25, 1979