

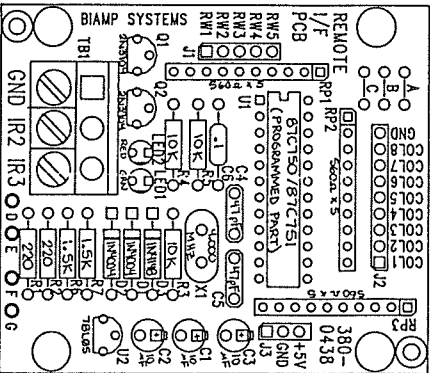
Remote Option

Schematic

B I A M P[®]

S Y S T E M S

THIS DRAWING IS THE PROPERTY OF BIAMP SYSTEMS, AND MUST BE RETURNED TO THE COMPANY AT THE TIME OF REQUEST. READ THE INSTRUCTIONS OF THESE SPECIFICATIONS AND RECORD IT FOR THE NAME OF THE COMPANY THAT HAS PROVIDED THEM. THE INFORMATION CONTAINED HEREIN IS UNCLASSIFIED, AND NOT MADE AVAILABLE TO THE PUBLIC.



BIAMP SYSTEMS
 14270 N.W. Science Park Drive
 Portland, Oregon 97229
 (503) 641-7287

380-0438-00
 REMOTE INTERFACE PCB
 Sheet 1 of 5 : Silkscreen

ITEM	PART NO.	DATE	DESCRIPTION	SIZE	QTY.
UNLESS OTHERWISE SPECIFIED, DIMENSIONS ARE IN INCHES. TOLERANCES ARE: DIMENSIONS IN PARENTESIS ARE IN MILLIMETERS.					
MATERIAL					
FINISH					
APPROVED					
SCALE: 2/1					
DO NOT SCALE DRAWING					
SHEET					
OF					

REV.	ECO.	CHANGE	DATE	BY

JAN 12 1988

BIAMP SYSTEMS

14270 N.W. Science Park Drive
 Portland, Oregon 97229
 (503) 641-7287

380-0438-00

REMOTE INTERFACE PCB
 Sheet 1 of 5 : Silkscreen

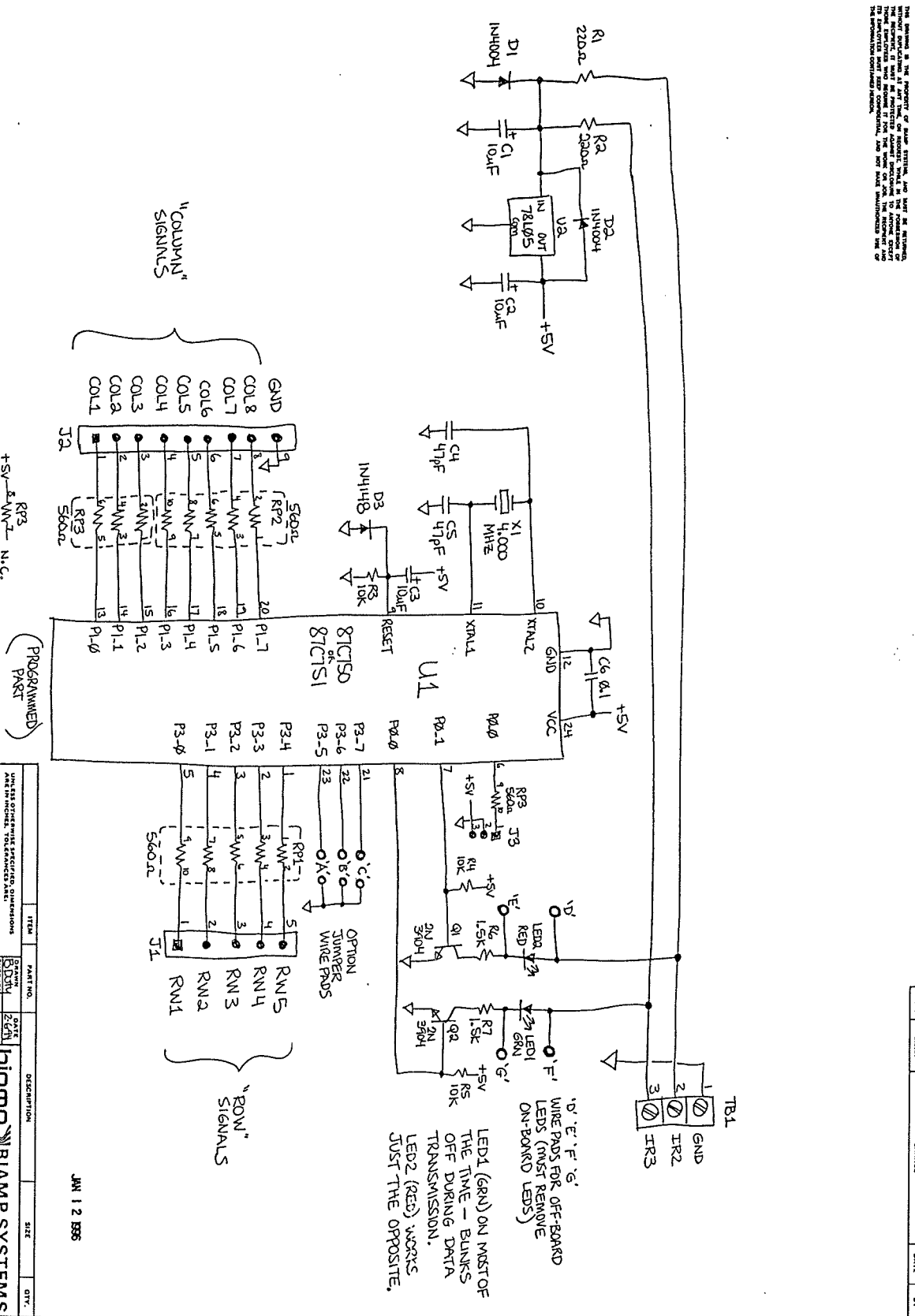
SCALE: 2/1

DO NOT SCALE DRAWING

SHEET

OF

The amount in the quantity of each item, and the name of the manufacturer, should be indicated on the drawing. The amount in the quantity of each item, and the name of the manufacturer, should be indicated on the drawing. The amount in the quantity of each item, and the name of the manufacturer, should be indicated on the drawing.



PROGRAMMED PART

ITEM	DESCRIPTION	QTY	UNIT
1	87C150	1	IC
2	78L05	1	IC
3	RESISTORS	8	RES
4	CAPACITORS	4	CAP
5	DIODES	3	DIODE
6	LED1 (GRN)	1	LED
7	LED2 (RED)	1	LED
8	TERMINAL BLOCK TB1	1	CONN

JAN 12 1996

BIAMP SYSTEMS
REMOTE INTERFACE KIT
SCHEMATIC DIAGRAM

SCALE: 1:1

DATE: 1/12/96

BY: [Signature]

REV: 1.0

CHANGED: [Blank]

DATE: [Blank]

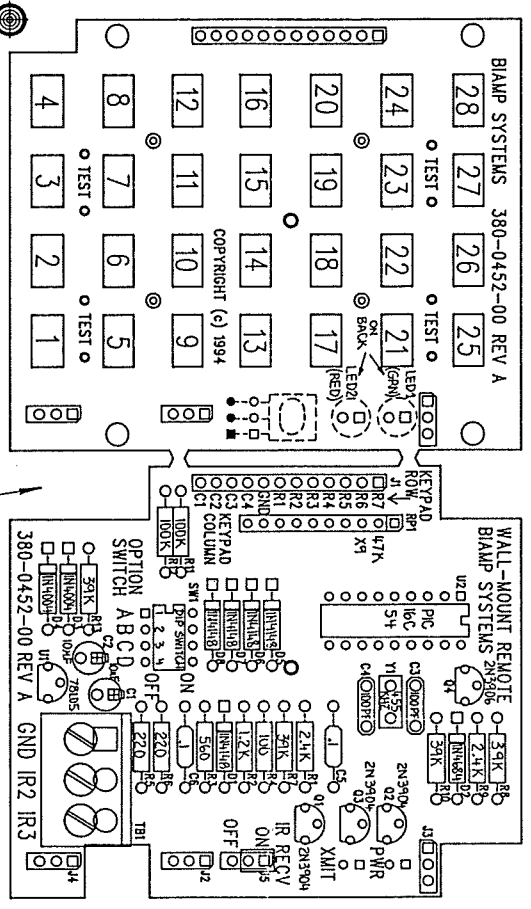
BY: [Blank]

SCALE: 1:1

DO NOT SCALE DRAWING

SHEET 1 OF 1

THIS DRAWING IS THE PROPERTY OF BIAMP SYSTEMS, INC. AND IS NOT TO BE REPRODUCED OR TRANSMITTED IN ANY FORM OR BY ANY MEANS, ELECTRONIC OR MECHANICAL, INCLUDING PHOTOCOPYING, RECORDING, OR BY ANY INFORMATION STORAGE AND RETRIEVAL SYSTEM, WITHOUT THE WRITTEN PERMISSION OF BIAMP SYSTEMS, INC. THE INFORMATION CONTAINED HEREIN IS UNCLASSIFIED EXCEPT WHERE SHOWN OTHERWISE.



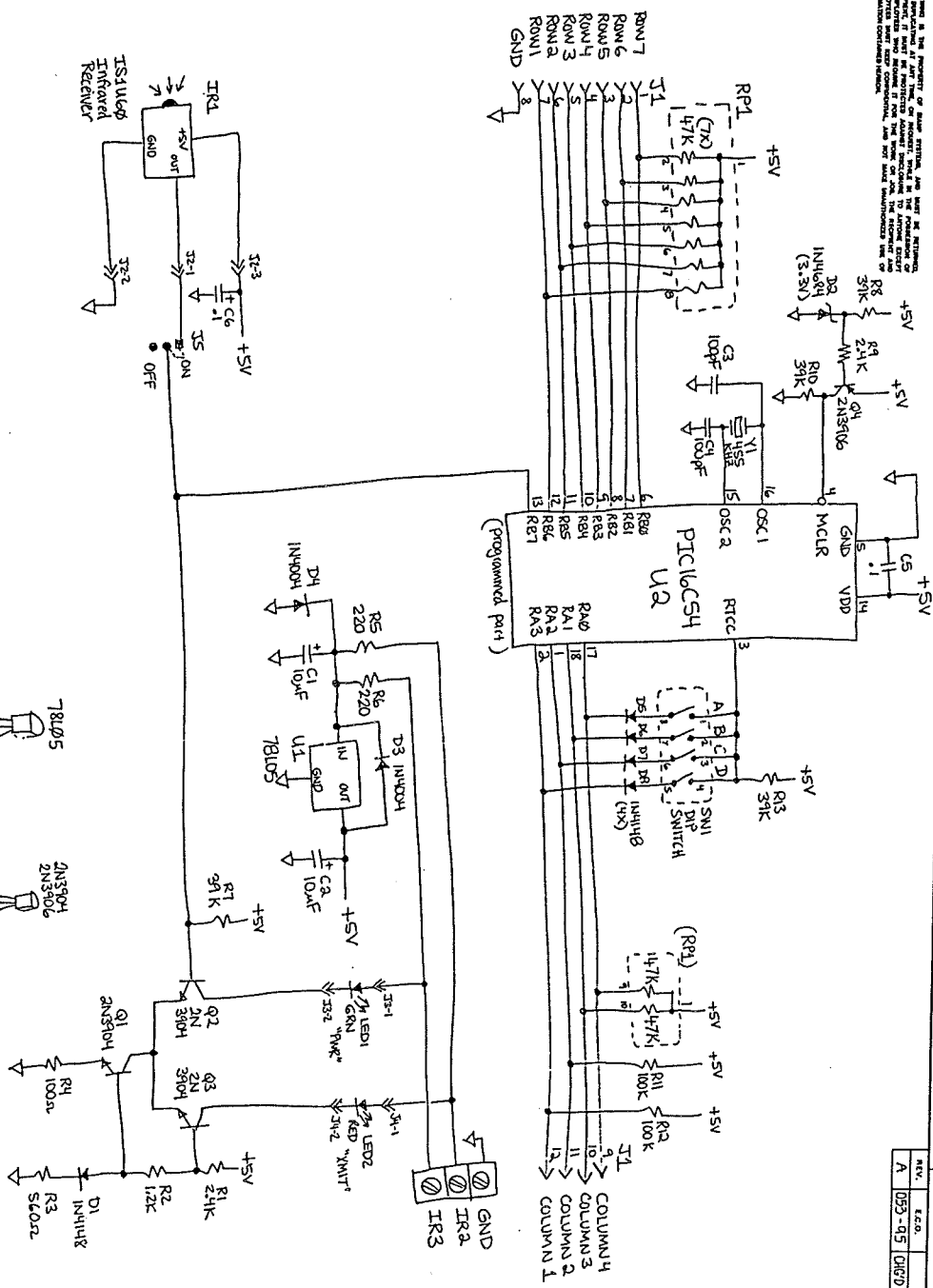
BIAMP SYSTEMS
 14130 N.W. Science Park Drive
 Portland, Oregon 97229
 380-0452-00 REV A
 WALL-MOUNT REMOTE
 Sheet 1 of 7 : Component I.D. Silkscreen

JAN 12 1996

REV.	EQD.	CHANGE	DATE	BY
B	053-95	CHGD PRT FROM 100K X 9 TO 47K X 9	1-29-95	BLD

TITLE		PART NO.	SIZE	QTY.
WALL MOUNT REMOTE CONTROL		380-0452-00	C	1
BIAMP SYSTEMS COMPONENT LAYOUT WALL-MOUNT REMOTE CONTROL				
DESIGNED BY	ENGINEER	DATE	SCALE 2/1	
CHECKED BY	DESIGN	APPROVED	DO NOT SCALE DRAWING	
MATERIAL		FINISH	SHEET / OF 1	
UNLESS OTHERWISE SPECIFIED, DIMENSIONS ARE IN INCHES AND DECIMALS ARE IN THOUSANDS		SCALE 2/1		

THE DRAWING IS THE PROPERTY OF BIAMP SYSTEMS, AND MUST BE RETURNED TO THE COMPANY AT THE TIME OF PROJECT. THIS IS THE RESPONSIBILITY OF THE CONTRACTOR TO RETURN IT TO THE COMPANY. THE COMPANY WILL NOT BE RESPONSIBLE FOR THE LOSS OF THIS DRAWING. THE COMPANY WILL NOT BE RESPONSIBLE FOR THE LOSS OF THIS DRAWING.



REV.	EGD	CHANGE	DATE	BY
A	053-95	0160 P2 FROM 100 K X 9 TO 147 K X 9	11-25-93	ESOK

REV.	EGD	CHANGE	DATE	BY
A	053-95	0160 P2 FROM 100 K X 9 TO 147 K X 9	11-25-93	ESOK

REV.	EGD	CHANGE	DATE	BY
A	053-95	0160 P2 FROM 100 K X 9 TO 147 K X 9	11-25-93	ESOK

REV.	EGD	CHANGE	DATE	BY
A	053-95	0160 P2 FROM 100 K X 9 TO 147 K X 9	11-25-93	ESOK

REV.	EGD	CHANGE	DATE	BY
A	053-95	0160 P2 FROM 100 K X 9 TO 147 K X 9	11-25-93	ESOK

JAN 12 1995

REV.	EGD	CHANGE	DATE	BY
A	053-95	0160 P2 FROM 100 K X 9 TO 147 K X 9	11-25-93	ESOK

REV.	EGD	CHANGE	DATE	BY
A	053-95	0160 P2 FROM 100 K X 9 TO 147 K X 9	11-25-93	ESOK

REV.	EGD	CHANGE	DATE	BY
A	053-95	0160 P2 FROM 100 K X 9 TO 147 K X 9	11-25-93	ESOK

REV.	EGD	CHANGE	DATE	BY
A	053-95	0160 P2 FROM 100 K X 9 TO 147 K X 9	11-25-93	ESOK

REV.	EGD	CHANGE	DATE	BY
A	053-95	0160 P2 FROM 100 K X 9 TO 147 K X 9	11-25-93	ESOK

REV.	EGD	CHANGE	DATE	BY
A	053-95	0160 P2 FROM 100 K X 9 TO 147 K X 9	11-25-93	ESOK

REV.	EGD	CHANGE	DATE	BY
A	053-95	0160 P2 FROM 100 K X 9 TO 147 K X 9	11-25-93	ESOK

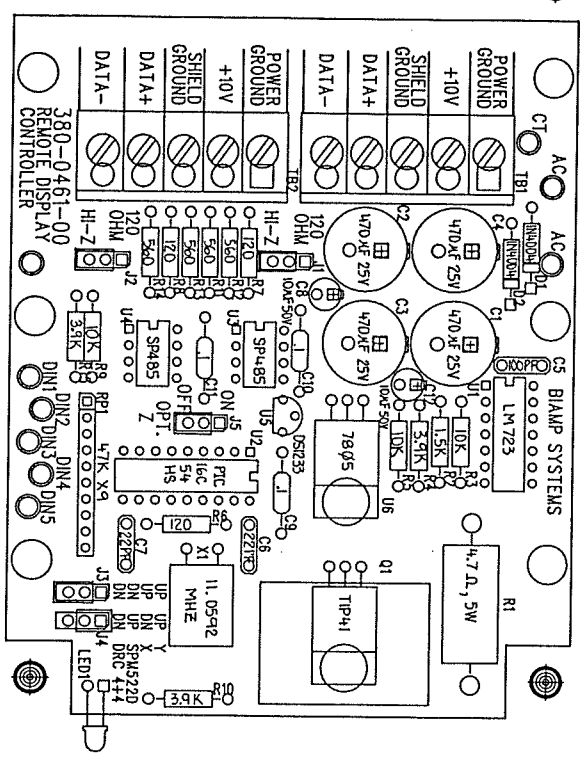
REV.	EGD	CHANGE	DATE	BY
A	053-95	0160 P2 FROM 100 K X 9 TO 147 K X 9	11-25-93	ESOK

REV.	EGD	CHANGE	DATE	BY
A	053-95	0160 P2 FROM 100 K X 9 TO 147 K X 9	11-25-93	ESOK

REV.	EGD	CHANGE	DATE	BY
A	053-95	0160 P2 FROM 100 K X 9 TO 147 K X 9	11-25-93	ESOK

REV.	EGD	CHANGE	DATE	BY
A	053-95	0160 P2 FROM 100 K X 9 TO 147 K X 9	11-25-93	ESOK

THIS DRAWING IS THE PROPERTY OF BIAMP SYSTEMS, INC. AND IS NOT TO BE REPRODUCED, COPIED, OR TRANSMITTED IN ANY FORM OR BY ANY MEANS, ELECTRONIC OR MECHANICAL, INCLUDING PHOTOCOPYING, RECORDING, OR BY ANY INFORMATION STORAGE AND RETRIEVAL SYSTEM. THE INFORMATION CONTAINED HEREIN IS UNCLASSIFIED EXCEPT WHERE SHOWN OTHERWISE. THE INFORMATION CONTAINED HEREIN IS UNCLASSIFIED EXCEPT WHERE SHOWN OTHERWISE.



BIAMP SYSTEMS
 14130 N.W. Science Park Drive
 Portland, Oregon 97229
 (503) 641-7287

380-0461-00
 REMOTE DISPLAY CONTROLLER

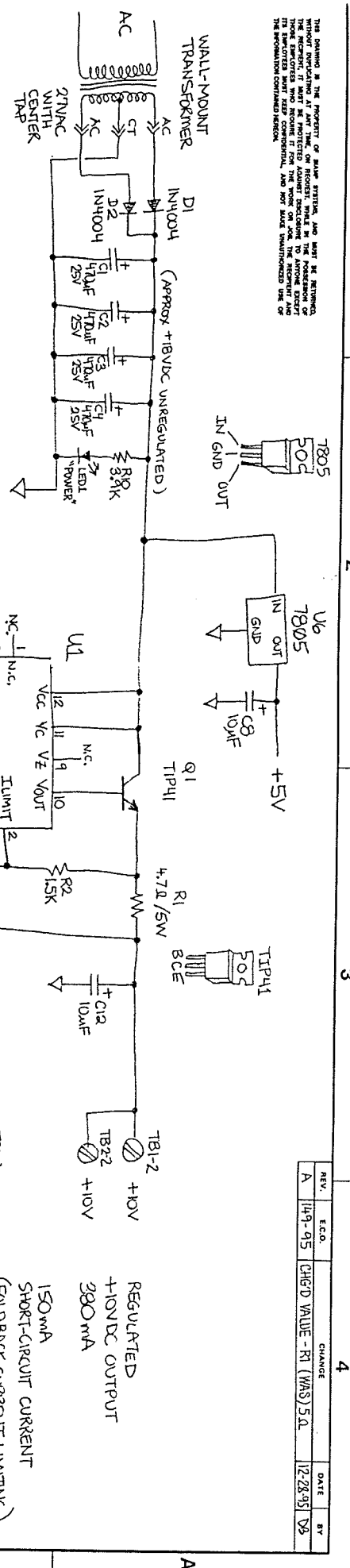
Sheet 1 of 5 : Component I.D. Silkscreen

JAN 12 1986

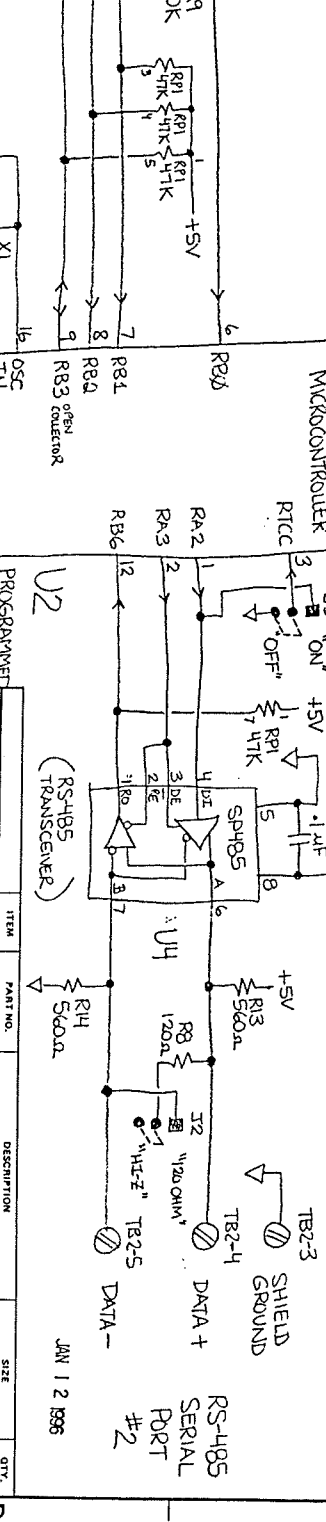
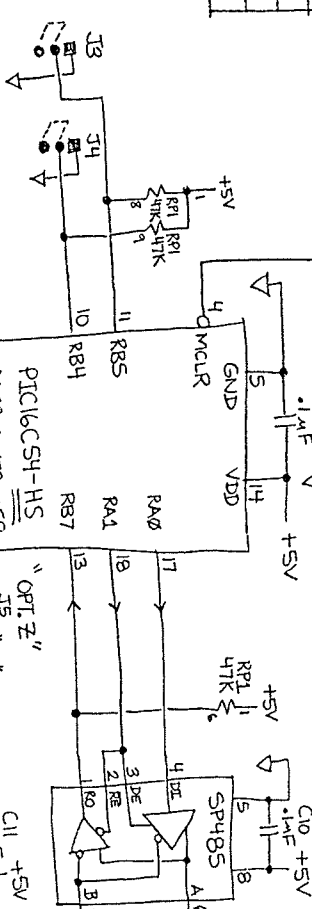
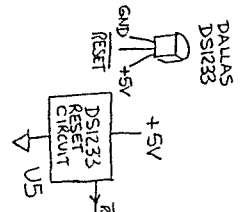
REV.	DATE	CHANGE	DATE	BY
A	10-19-85	DRG'D VALUE - R1 (WAS) 5.0	10-28-85	DS

ITEM	PART NO.	DESCRIPTION	SIZE	QTY.
UNLESS OTHERWISE SPECIFIED, DIMENSIONS ARE IN INCHES, TOLERANCES ARE AS SHOWN				
1	380-0461-00	REMOTE DISPLAY CONTROLLER COMPONENT LAYOUT		1
2				
3				
4				
5				
6				
7				
8				
9				
10				
11				
12				
13				
14				
15				
16				
17				
18				
19				
20				
21				
22				
23				
24				
25				
26				
27				
28				
29				
30				
31				
32				
33				
34				
35				
36				
37				
38				
39				
40				
41				
42				
43				
44				
45				
46				
47				
48				
49				
50				
51				
52				
53				
54				
55				
56				
57				
58				
59				
60				
61				
62				
63				
64				
65				
66				
67				
68				
69				
70				
71				
72				
73				
74				
75				
76				
77				
78				
79				
80				
81				
82				
83				
84				
85				
86				
87				
88				
89				
90				
91				
92				
93				
94				
95				
96				
97				
98				
99				
100				

THE DRAWING IS THE PROPERTY OF BIAMP SYSTEMS, AND MUST BE RETURNED TO THE COMPANY IMMEDIATELY UPON COMPLETION OF THE PROJECT. IT MAY BE REPRODUCED OR TRANSMITTED IN ANY FORM OR BY ANY MEANS, ELECTRONIC OR MECHANICAL, INCLUDING PHOTOCOPYING, RECORDING, OR BY ANY INFORMATION STORAGE AND RETRIEVAL SYSTEM, WITHOUT THE WRITTEN PERMISSION OF BIAMP SYSTEMS.



J3	J4	PRODUCT
UP	UP	Y
UP	DOWN	X
DOWN	UP	SPMS22D
DOWN	DOWN	DRC 4+4



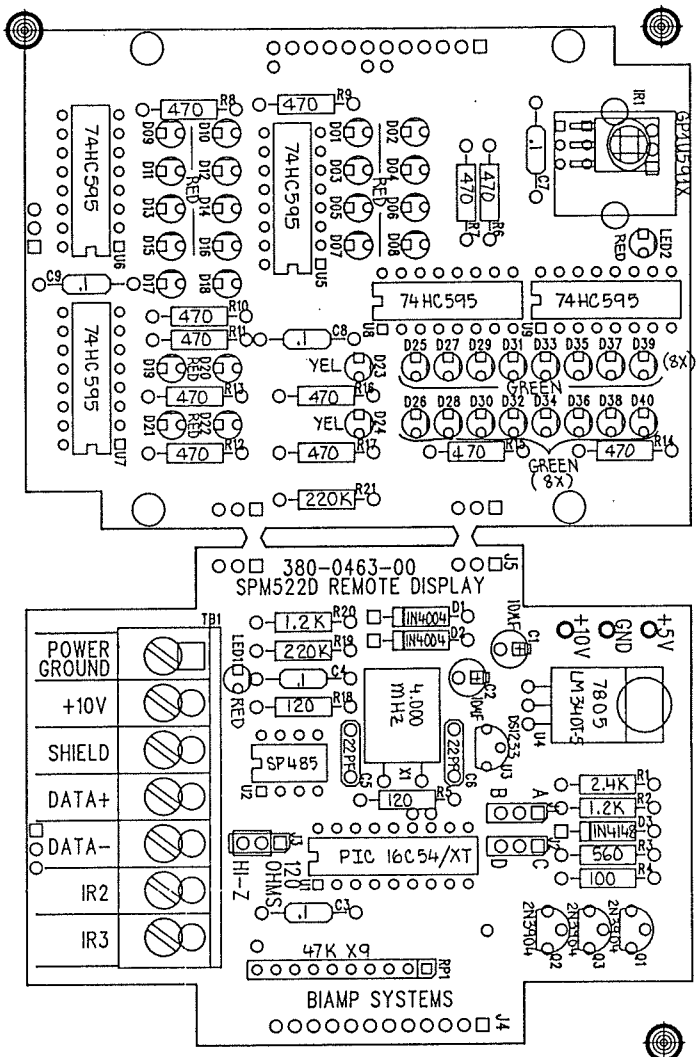
5-PIN 180 MALE DIN CABLE
APPROX 4 1/2 FEET (MAX)

REV.	ECO.	CHANGE	DATE	BY
A	11/9-05	CHG'D VALUE - R1 (WAS) 5.0	12-28-95	DS

ITEM	PART NO.	DESCRIPTION	SIZE	QTY.
1	3145	SCHEMATIC DIAGRAM		
2	3145	REMOTE DISPLAY CONTROLLER (RDC)		
3	3145	DESIGN		
4	3145	REV.		

BIAMP SYSTEMS
REMOBILE DISPLAY CONTROLLER (RDC)
JAN 12 1998
SCALE N/A
SHEET 1 OF 1

THIS DRAWING IS THE PROPERTY OF BIAMP SYSTEMS, AND MUST BE RETURNED TO THE COMPANY IMMEDIATELY UPON COMPLETION OF THE WORK. THE RECIPIENT OF THIS DRAWING MUST BE PROTECTED AGAINST DISCLOSURE TO ANY OTHER PARTY WITHOUT THE WRITTEN PERMISSION OF BIAMP SYSTEMS. THE RECIPIENT OF THIS DRAWING MUST BE PROTECTED AGAINST DISCLOSURE TO ANY OTHER PARTY WITHOUT THE WRITTEN PERMISSION OF BIAMP SYSTEMS.



BIAMP SYSTEMS
 14130 N.W. Science Park Drive
 Portland, Oregon 97229
 (503) 641-7287

380-0463-00
 SPM522D REMOTE DISPLAY PCB

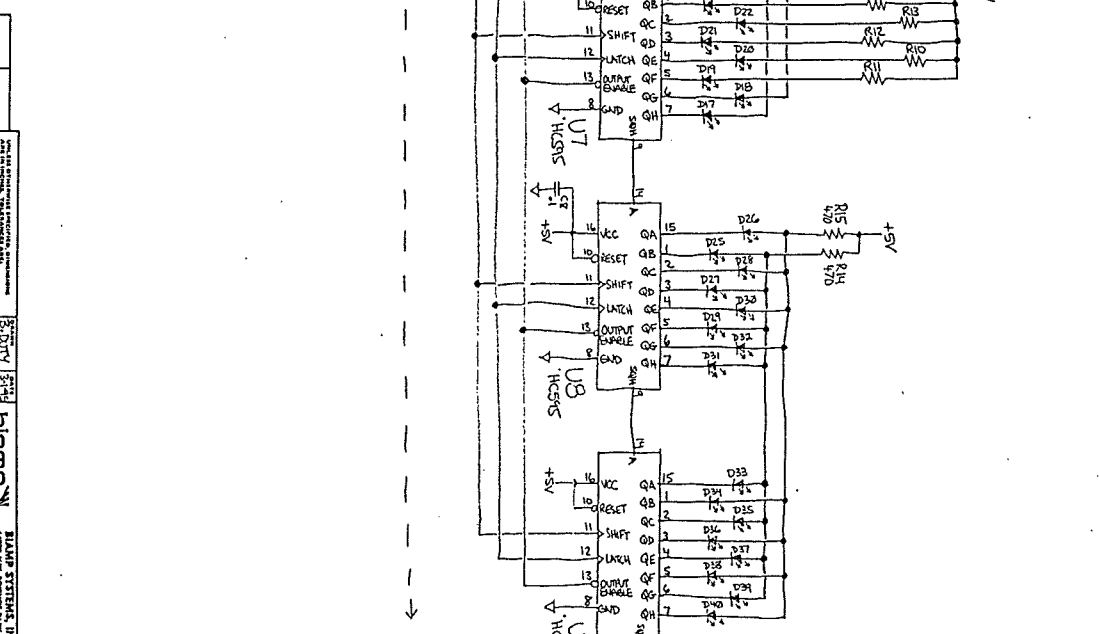
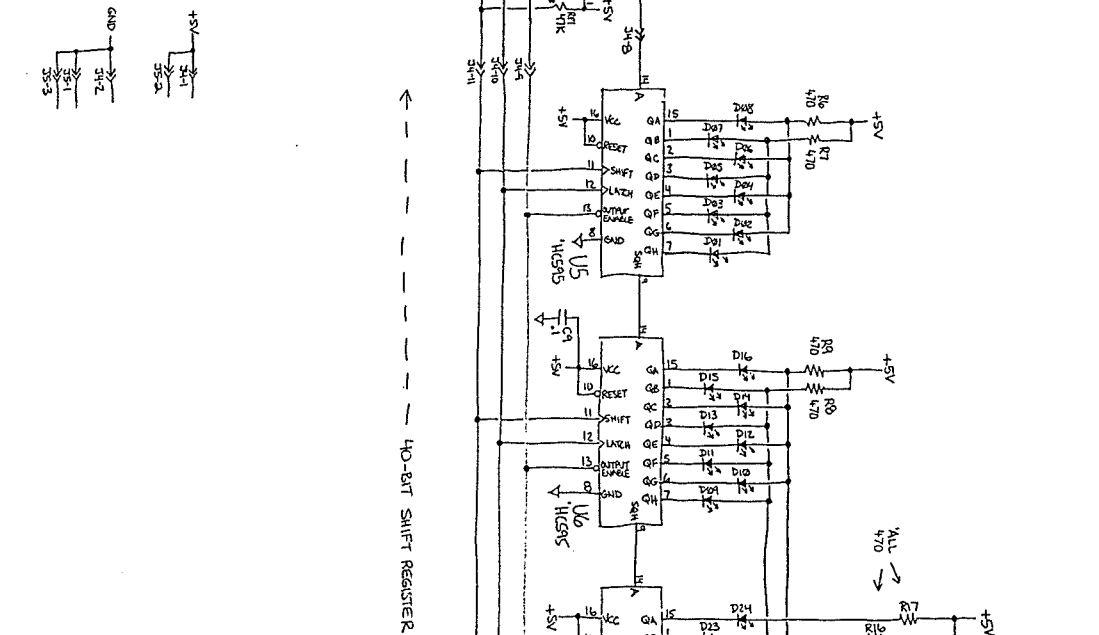
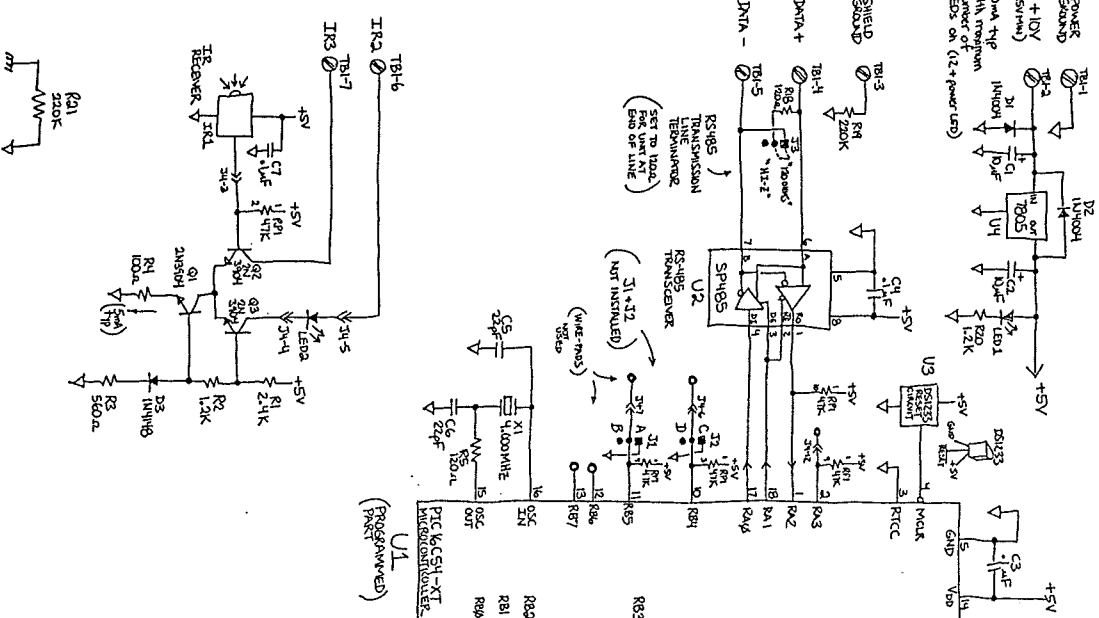
Sheet 1 of 5 : Component I.D. Silkscreen

JAN 12 1996

ITEM	PART NO.	DESCRIPTION	SIZE	QTY.
UNLESS OTHERWISE SPECIFIED, DIMENSIONS ARE IN INCHES. TOLERANCES ARE DECIMALS FRACTIONS ANGLES DEGREES				
DRAWN BY: [Signature]				
CHECKED BY: [Signature]				
ENGINEER: [Signature]				
DESIGN: [Signature]				
APPROVED: [Signature]				
MATERIAL: [Signature]				
FINISH: [Signature]				
BREAK SIZES: 48 INCHES MAX. YES NO				
SCALE: 2:1 DO NOT SCALE DRAWING SHEET 1 OF 1				

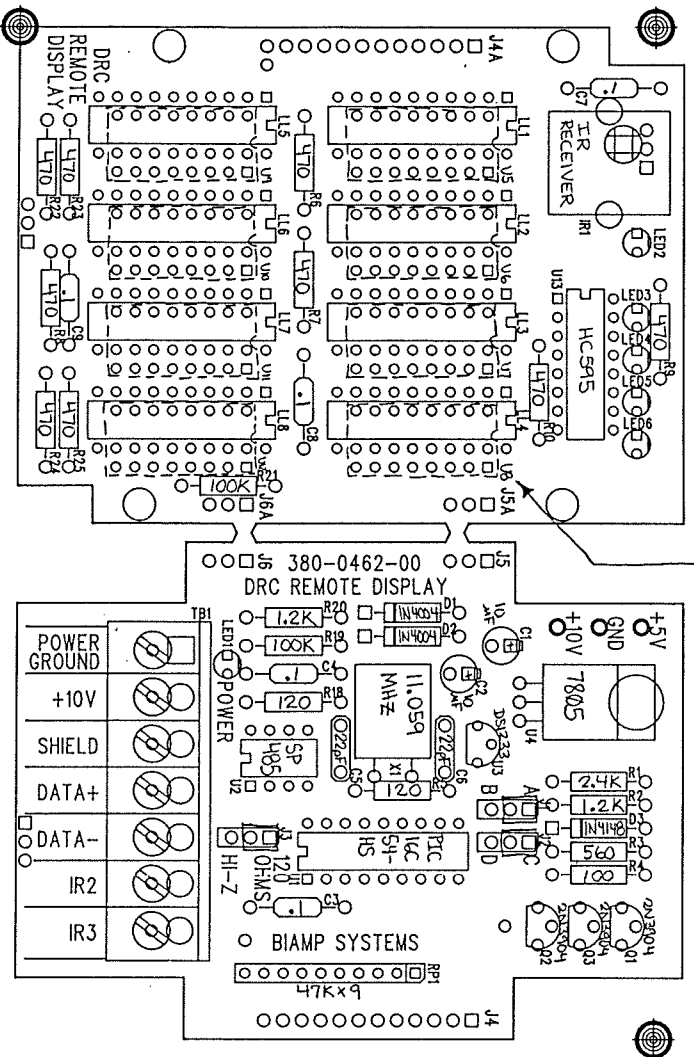
REV.	E.C.O.	CHANGE	DATE	BY
A	NONE	PILOT RELEASE	4-17-95	808

THESE DRAWINGS ARE THE PROPERTY OF BIAMP SYSTEMS, INC. AND ARE NOT TO BE REPRODUCED OR TRANSMITTED IN ANY FORM OR BY ANY MEANS, ELECTRONIC OR MECHANICAL, INCLUDING PHOTOCOPYING, RECORDING, OR BY ANY INFORMATION STORAGE AND RETRIEVAL SYSTEM, WITHOUT THE WRITTEN PERMISSION OF BIAMP SYSTEMS, INC.

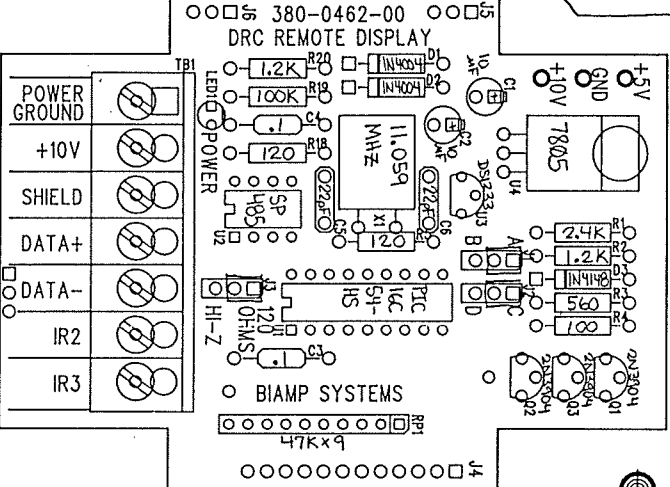


REV.	DATE	DESCRIPTION	BY	CHKD.
1				
2				
3				
4				
5				
6				
7				
8				
9				
10				
11				
12				
13				
14				
15				
16				
17				
18				
19				
20				
21				
22				
23				
24				
25				
26				
27				
28				
29				
30				
31				
32				
33				
34				
35				
36				
37				
38				
39				
40				
41				
42				
43				
44				
45				
46				
47				
48				
49				
50				
51				
52				
53				
54				
55				
56				
57				
58				
59				
60				
61				
62				
63				
64				
65				
66				
67				
68				
69				
70				
71				
72				
73				
74				
75				
76				
77				
78				
79				
80				
81				
82				
83				
84				
85				
86				
87				
88				
89				
90				
91				
92				
93				
94				
95				
96				
97				
98				
99				
100				

THIS DRAWING IS THE PROPERTY OF BIAMP SYSTEMS, INC. AND MUST BE RETURNED TO BIAMP SYSTEMS, INC. IMMEDIATELY UPON COMPLETION OF THE PROJECT. IT IS NOT TO BE REPRODUCED OR TRANSMITTED IN ANY FORM OR BY ANY MEANS, ELECTRONIC OR MECHANICAL, INCLUDING PHOTOCOPYING, RECORDING, OR BY ANY INFORMATION STORAGE AND RETRIEVAL SYSTEM. THE INFORMATION CONTAINED HEREIN IS UNCLASSIFIED.



HCS915
ON BACK OF PCB
(8X)

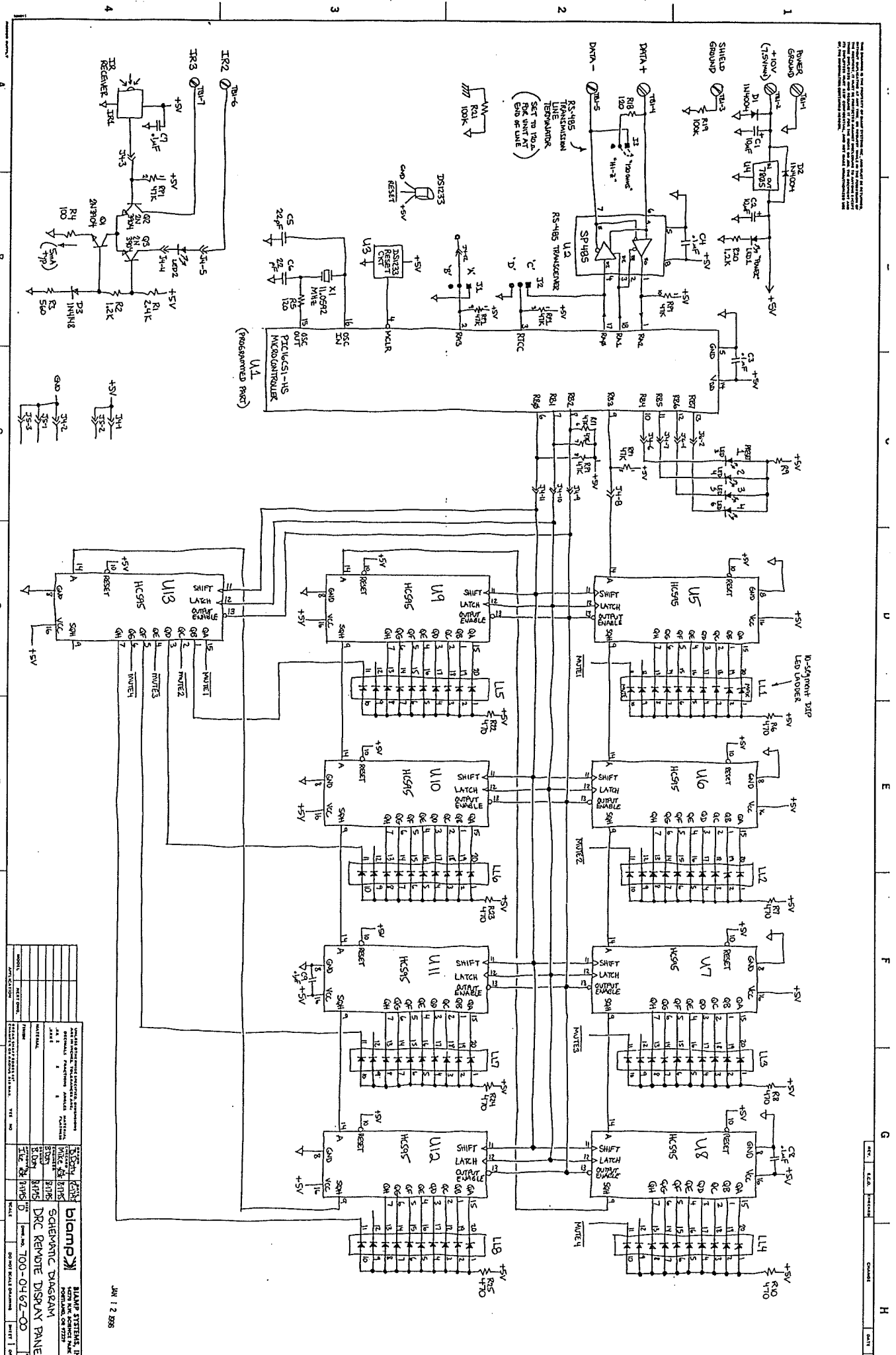


BIAMP SYSTEMS
14130 N.W. Science Park Drive
Portland, Oregon 97229
(503) 641-7287

380-0462-00
DRC REMOTE DISPLAY PCB JAN 12 1995
Sheet 1 of 5 : Component I.D. Silkscreen

ITEM	PART NO.	DESCRIPTION	SIZE	QTY.
UNLESS OTHERWISE SPECIFIED, DIMENSIONS ARE IN INCHES. TOLERANCES ARE DECIMALS FRACTIONS ANGLES PLACES	DATE	DESCRIPTION	SIZE	QTY.
DESIGNED BY: BLD/MS	DATE: 1/12/95	BIAMP SYSTEMS COMPONENT LAYOUT DIAGRAM	C	
ENGINEER:	APPROVED:	DRC REMOTE DISPLAY PCB		
MATERIAL:	DATE:	DWG. NO. 701-0462-00		
FINISH:	SCALE:	DO NOT SCALE DRAWING		
BIAMP SYSTEMS 4510 MAX. YES NO				

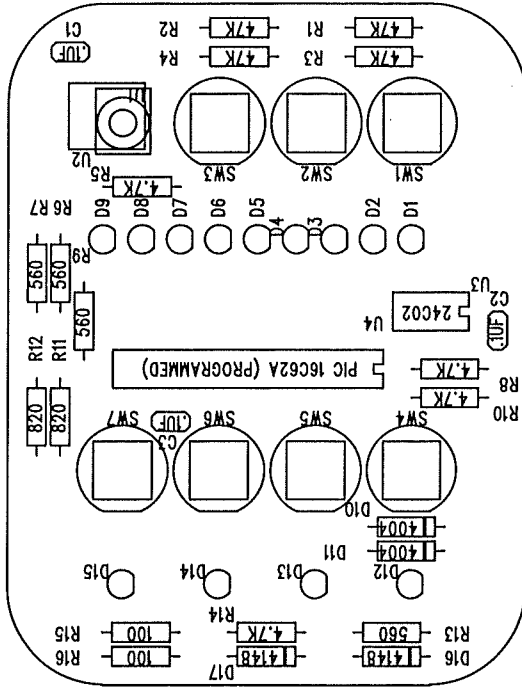
THIS DOCUMENT IS THE PROPERTY OF BLOMP SYSTEMS, INC. IT IS LOANED TO YOU BY BLOMP SYSTEMS, INC. IT IS NOT TO BE REPRODUCED OR TRANSMITTED IN ANY FORM OR BY ANY MEANS, ELECTRONIC OR MECHANICAL, INCLUDING PHOTOCOPYING, RECORDING, OR BY ANY INFORMATION STORAGE AND RETRIEVAL SYSTEM. BLOMP SYSTEMS, INC. IS NOT RESPONSIBLE FOR ANY DAMAGE TO OR LOSS OF DATA FROM THE USE OF THIS DOCUMENT.



BLOMP SYSTEMS, INC.		BLOMP SYSTEMS, INC.	
10000 BLOMP DRIVE		10000 BLOMP DRIVE	
BLOMP, TEXAS		BLOMP, TEXAS	
REV. 01/92		REV. 01/92	
DRAWN BY: BJS		DRAWN BY: BJS	
CHECKED BY: BJS		CHECKED BY: BJS	
DATE: 01/92		DATE: 01/92	
PROJECT: DRC REMOTE DISPLAY PANEL		PROJECT: DRC REMOTE DISPLAY PANEL	
SHEET 1 OF 1		SHEET 1 OF 1	

JUN 12 1993

BIAMP SYSTEMS
 14130 N.W. Science Park Drive
 Portland, Oregon 97229
 (503) 641-7287
 380-0473-00 REV 0



Component Placement (Top Side Components)