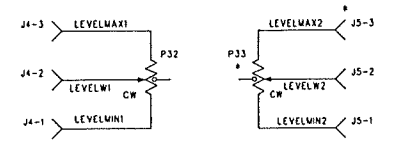
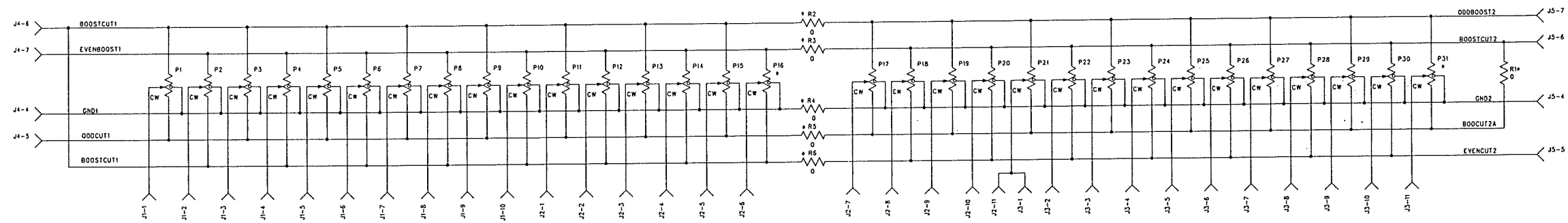


REVISION RECORD				
REV	ECO #	DESCRIPTION:	DATE:	BY:



\* NOTES:

- |   |  |
|---|--|
| <p>mEQ152:</p> <ol style="list-style-type: none"> <li>1. REMOVE R2, R3, R4, R5, R6 (0 OHM RESISTORS)</li> <li>2. REMOVE P16</li> <li>3. INSTALL J5</li> <li>4. INSTALL SPLIT HEADER J2 PINS 1-5 AND PINS 7-11</li> <li>5. INSTALL 10-PIN HEADER J3 PINS 2-11</li> </ol> | <p>mEQ301:</p> <ol style="list-style-type: none"> <li>1. REMOVE R1 (0 OHM RESISTOR)</li> <li>2. REMOVE P31, P33</li> <li>3. REMOVE J5</li> <li>4. INSTALL 10-PIN HEADER J2 PINS 1-10</li> <li>5. INSTALL 10-PIN HEADER J3 PINS 1-10</li> </ol> |
|---|--|

BIAMP SYSTEMS, INC. 1430 NW SCIENCE PARK DRIVE  
PORTLAND, OR 97228

TITLE: Micro EQ Fader Board

USED ON:	COPY DATE STAMP:	SIZE: D	DRAWING NO: 700.0277.00 (mEQ152) 700.0285.00 (mEQ301)	REV: -
DRAWN: DB	DATED:	SCALE:	SHEET: 1 OF 1	
APPROVED:	DATED:			

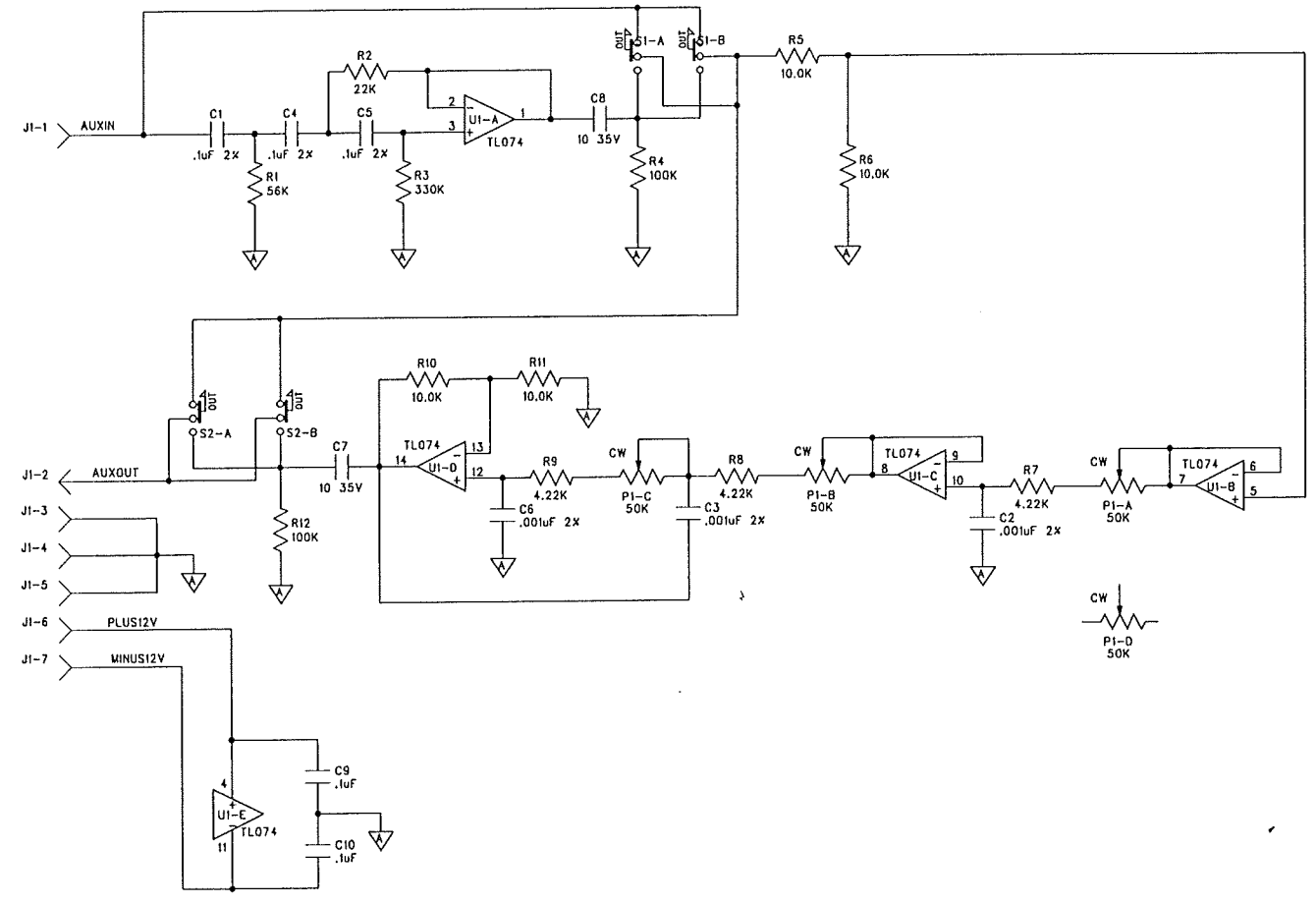
1 2 3 4

REVISION RECORD				
REV	ECO #	DESCRIPTION:	DATE:	BY:

A

B

C



BIAMP SYSTEMS, INC.		14130 NW SCIENCE PARK DRIVE PORTLAND, OR 97229	
TITLE: EQ301 Aux PCB			
USED ON:	COPY DATE STAMP:	SIZE: C	DRAWING NO: 700.0289.00
DRAWN: DB	DATED:	SCALE:	REV: -
APPROVED:	DATED:	SHEET: 1 OF 1	

1 2 3 4 5 6

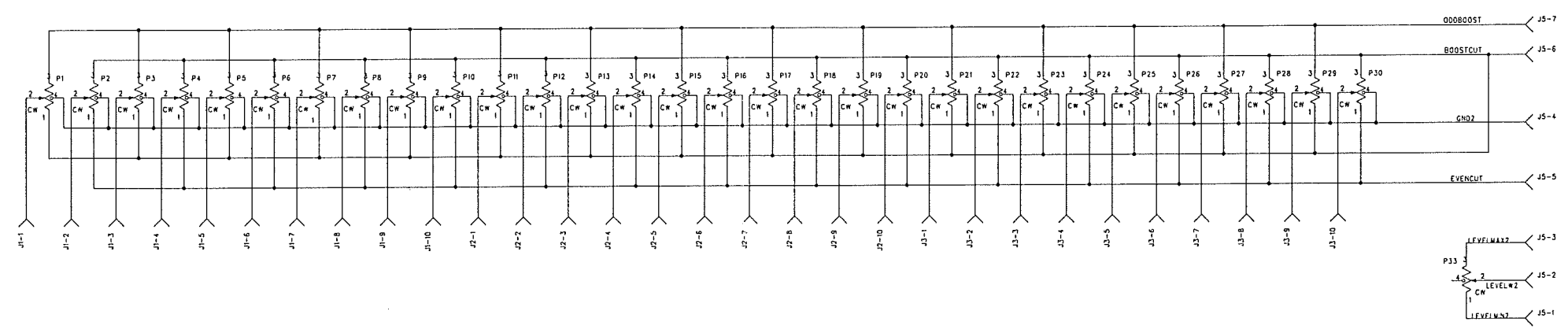
REVISION RECORD				
REV	ECO #	DESCRIPTION:	DATE:	BY:

A

B

C

D

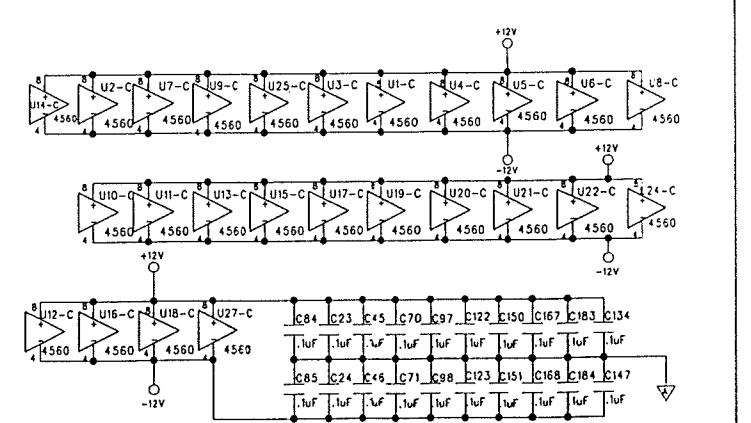
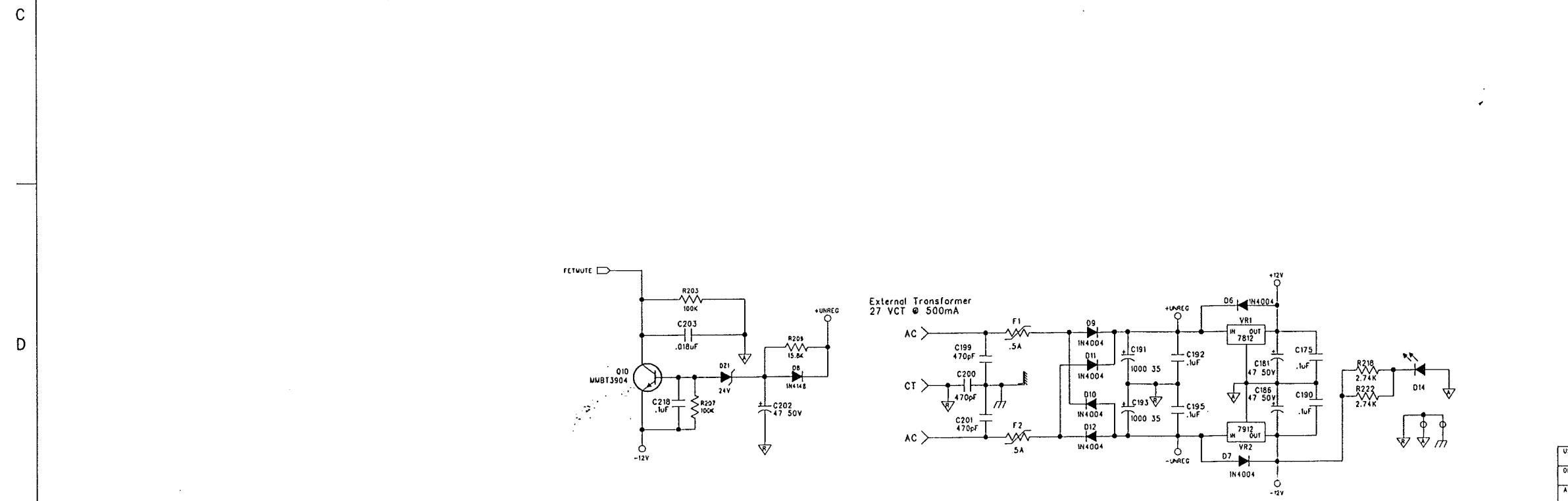
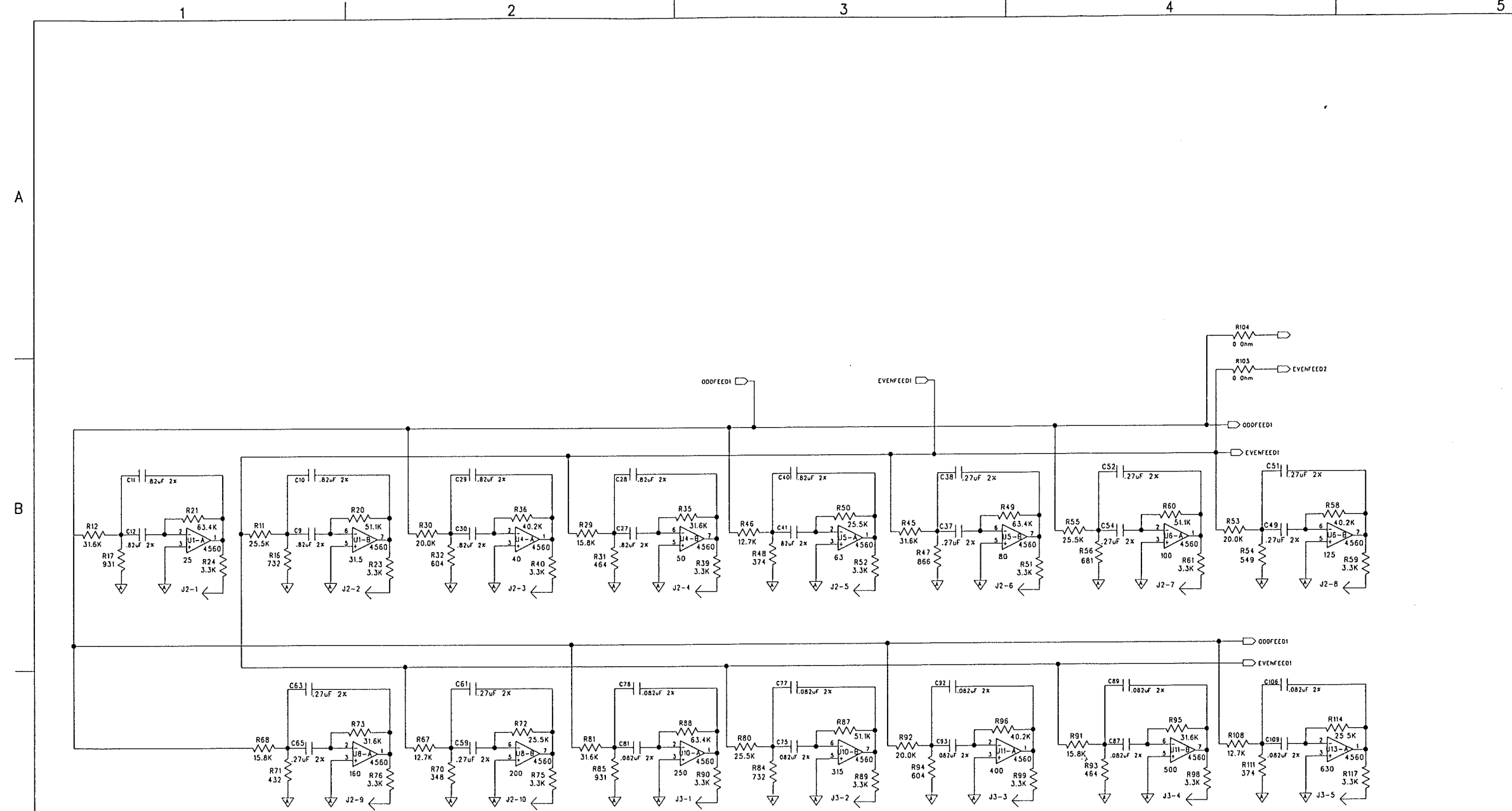


BIAMP SYSTEMS, INC. 14132 NW SCIENCE PARK DRIVE PORTLAND, OR 97229

SEQ301 Fader Board

USED ON:	DATE:	COPY DATE STAMP:	SIZE:	DRAWING NO:	REV:
DRAWN:	DATE:			700 0288.00	
APPROVED:	DATE:	SCALE:	SHEET: 1 OF 1		

REVISION RECORD			
REV	ECO	DESCRIPTION:	DATE: BY:

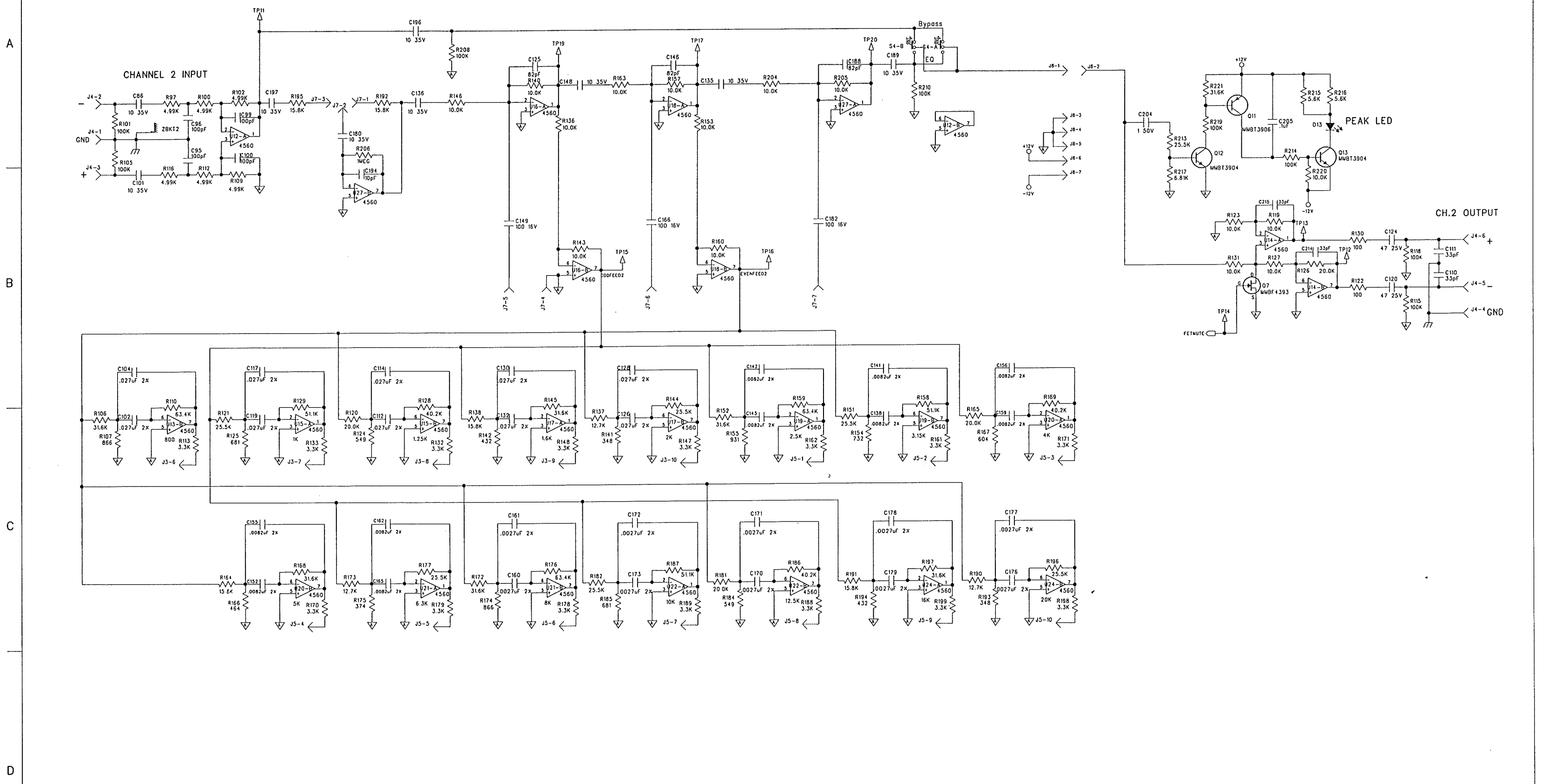


BIAMP SYSTEMS, INC. 1130 NW SCIENCE PARK DRIVE PORTLAND, OR 97229

TITLE: SEQ301 Main PCB

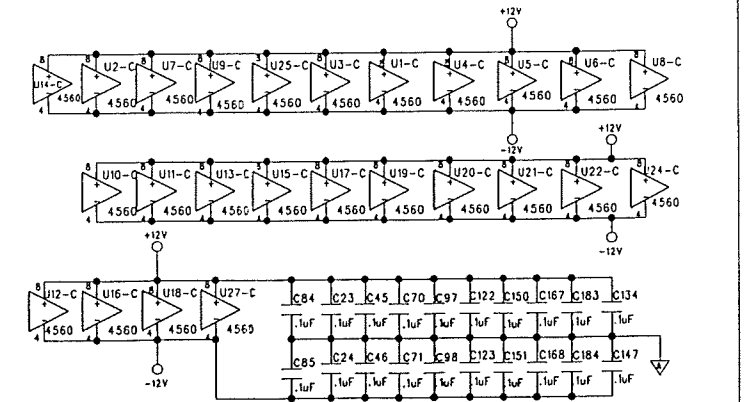
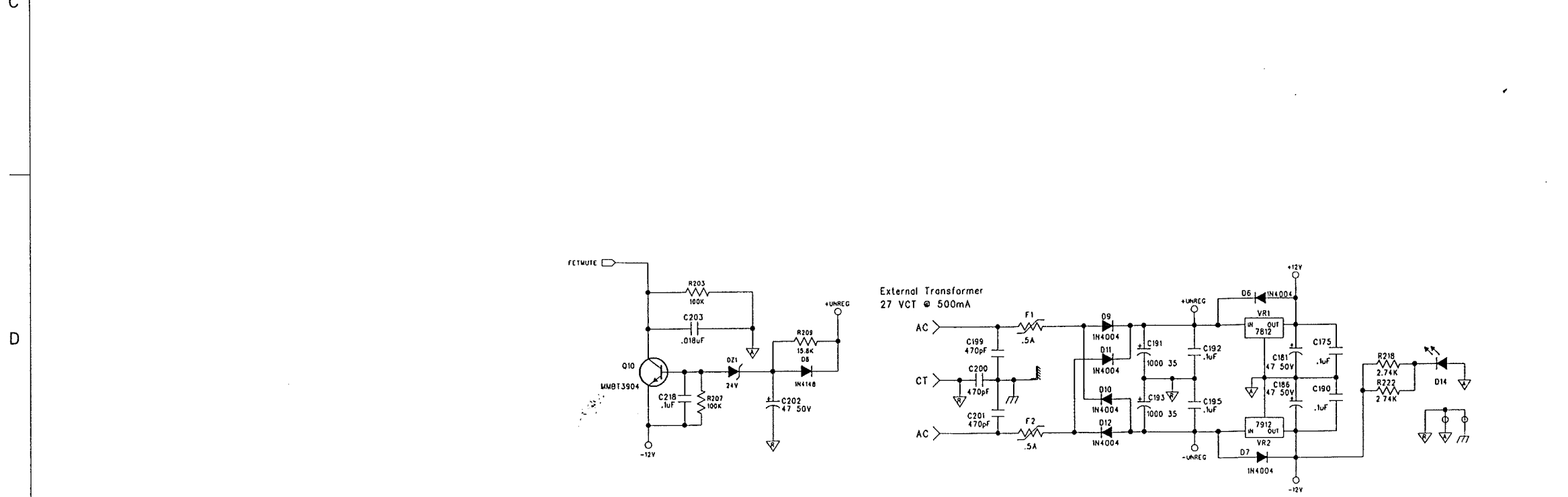
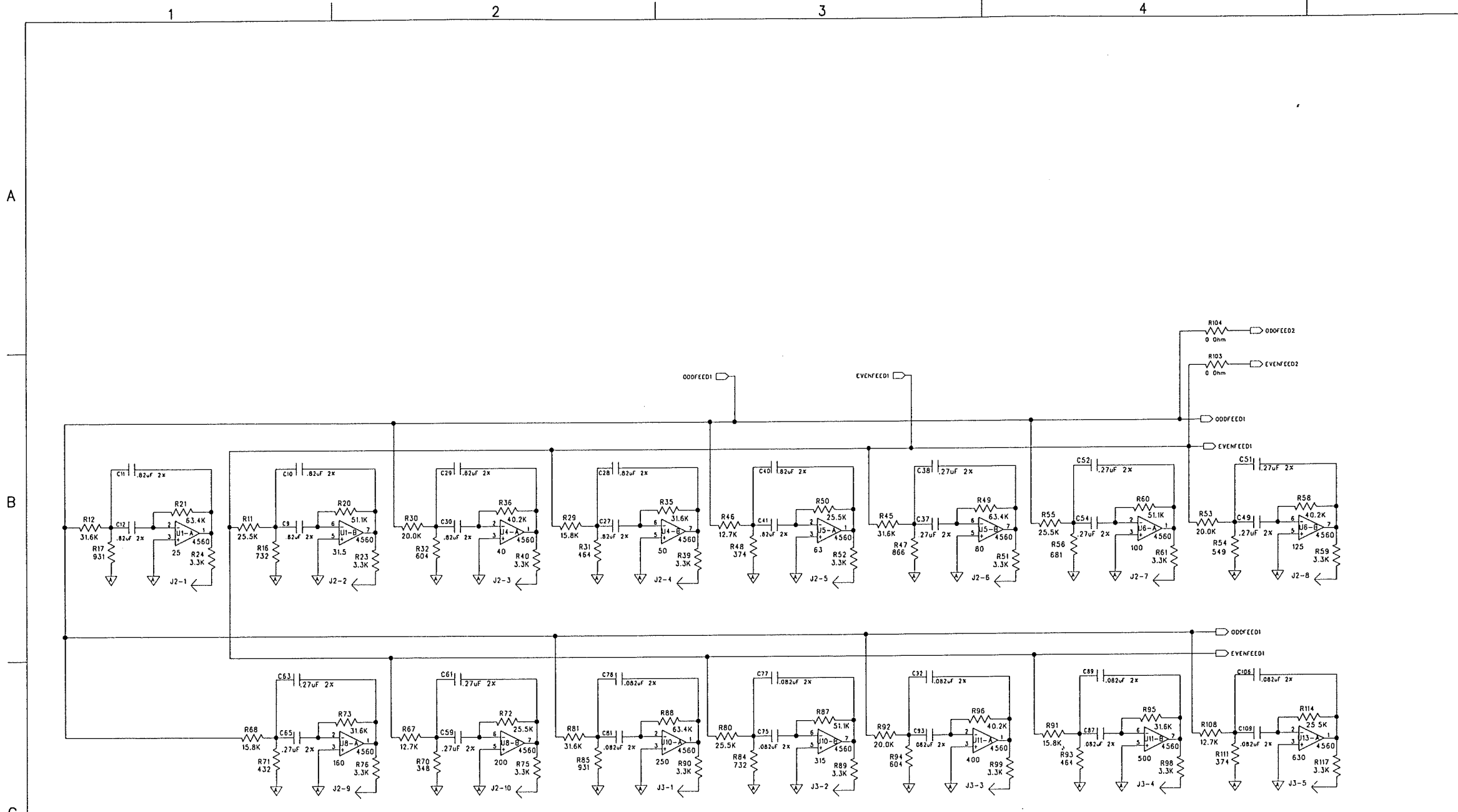
USED ON:	COPY DATE STAMP:	SIZE: D	DRAWING NO: 700-0287-00	REV: -
DRAWN: DB	DATED:	SCALE:	SHEET: 2 OF 2	

REVISION RECORD				
REV	ECO	DESCRIPTION	DATE	BY



BIAMP SYSTEMS, INC.		4130 NW SCIENCE PARK DRIVE PORTLAND, OR 97229	
TITLE: SEQ301 Main PCB			
USED ON:	DRAWN: DB	DATE:	SCALE:
COPY DATE STAMP:	SIZE: D	DRAWING NO: 700-0287-00	REV: -
APPROVED:	DATE:	SHEET: 1 OF 2	

REVISION RECORD				DATE:	BY:
REV	ECO	DESCRIPTION:			

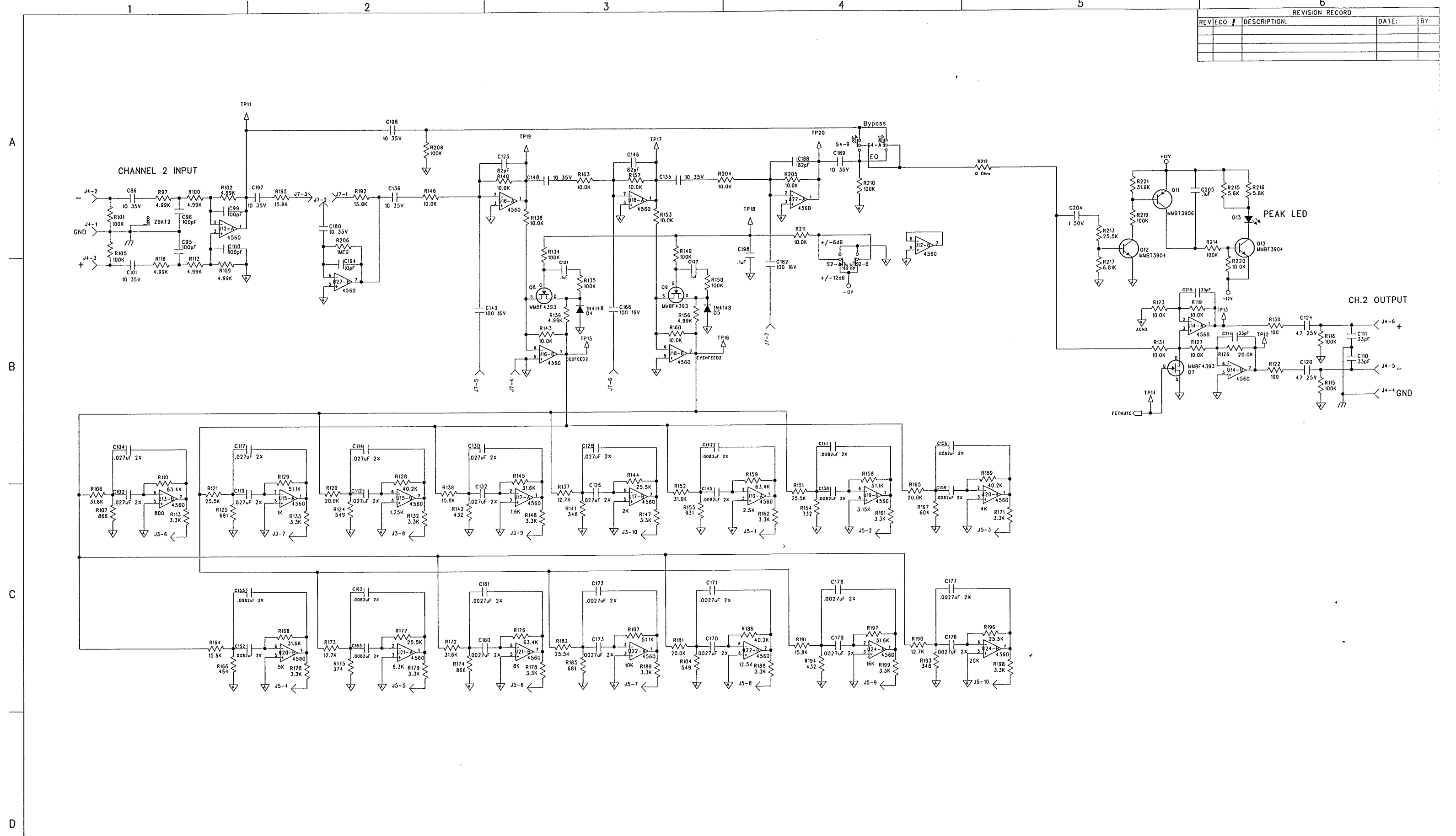


BIAMP SYSTEMS, INC. 14130 NW SCIENCE PARK DRIVE PORTLAND, OR 97229

TITLE: MicroEQ301 Main PCB

USED ON:	COPY DATE STAMP:	SIZE:	DRAWING NO:	REV:
DRAWN: DB	DATED:	D	700-0284-00	-
APPROVED:	DATED:	SCALE:	SHEET: 2 OF 2	

REVISION RECORD				
REV	ECO	DESCRIPTION	DATE	BY

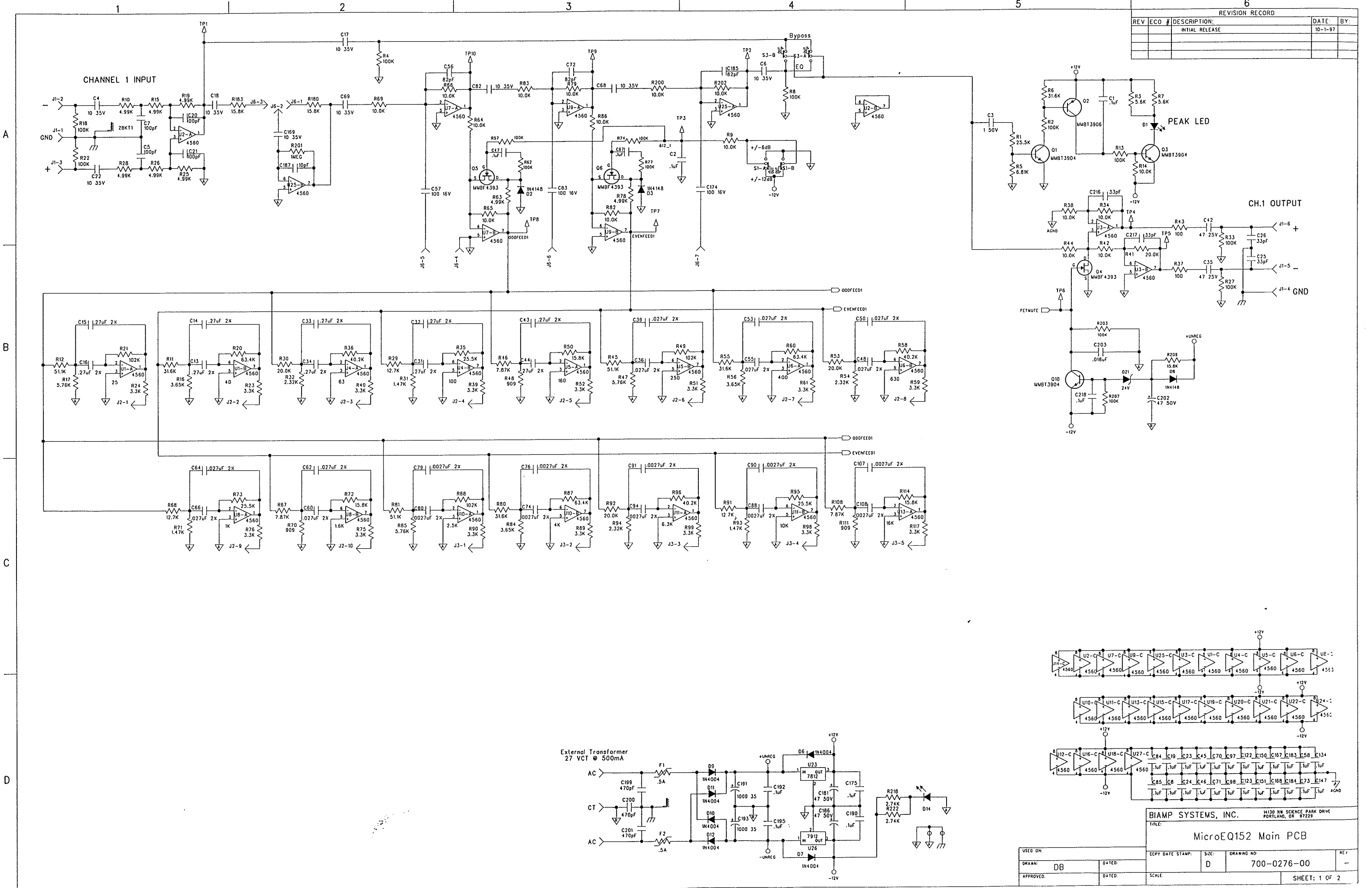


BIAMP SYSTEMS, INC. 1430 NW SCIENCE PARK DRIVE  
PORTLAND, OR 97229

TITLE: MicroEQ301 Main PCB

USED ON:	COPY DATE STAMP:	SIZE:	DRAWING NO:
DRAWN: DB	DATED:	D	700-0284-00
APPROVED:	DATED:	SCALE:	SHEET: 1 OF 2

REVISION RECORD				DATE:	BY:
REV	ECO #	DESCRIPTION:		10-1-97	
		INITIAL RELEASE			



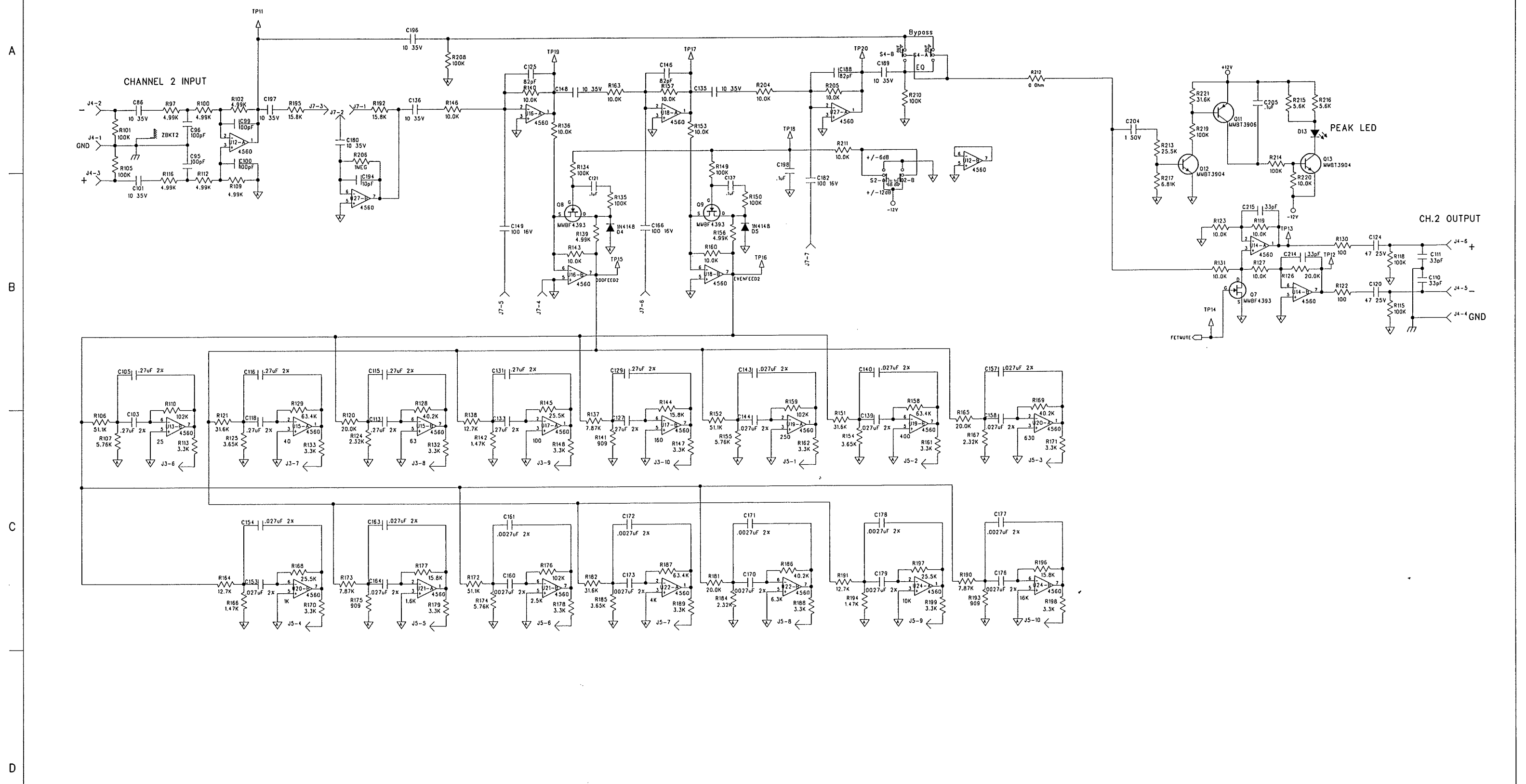
BIAMP SYSTEMS, INC. 1130 NW SCIENCE PARK DRIVE PORTLAND, OR 97229

TITLE: MicroEQ152 Main PCB

USED ON:	COPY DATE STAMP:	SIZE:	DRAWING NO:	REV:
DRAWN: DB	DATED:	D	700-0276-00	-
APPROVED:	DATED:	SCALE:		SHEET: 1 OF 2



REVISION RECORD				
REV	ECO #	DESCRIPTION	DATE	BY



BIAMP SYSTEMS, INC. 14130 NW SCIENCE PARK DRIVE  
PORTLAND, OR 97229

MicroEQ152 Main PCB

USED ON:	COPY DATE STAMP:	SIZE:	DRAWING NO.:	REV.:
DRAWN: DB	DATED:	D	700-0276-00	-
APPROVED:	DATED:	SCALE:	SHEET: 2 OF 2	