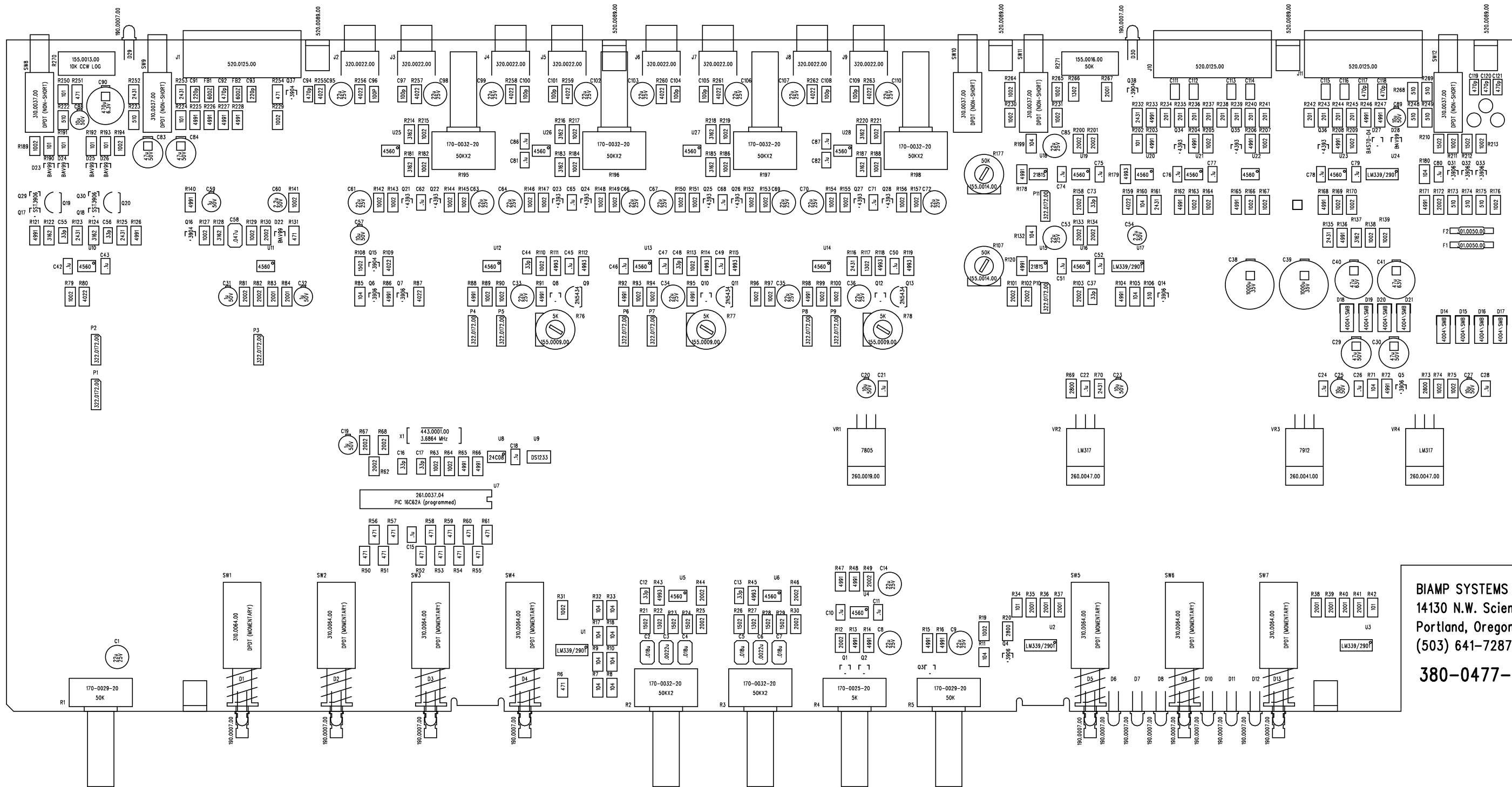


**SPM412e**

**Schematic**

Released July 16, 2002



**BIAMP SYSTEMS**  
 14130 N.W. Science Park Drive  
 Portland, Oregon 97229  
 (503) 641-7287  
**380-0477-00 REV A**

SURFACE MOUNTED SUBASSEMBLY 699-0477-00 REV A2  
 COMPLETE COMPONENT ASSEMBLY 701-0477-00 REV A2

6

5

4

3

2

1

REVISION RECORD			
LTR	ECO NO:	APPROVED:	DATE:

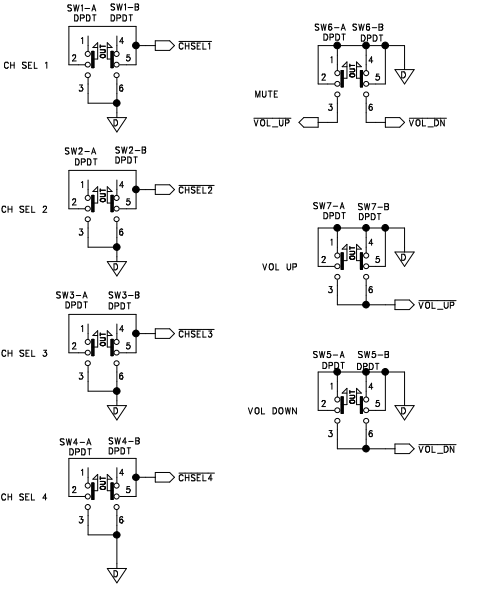
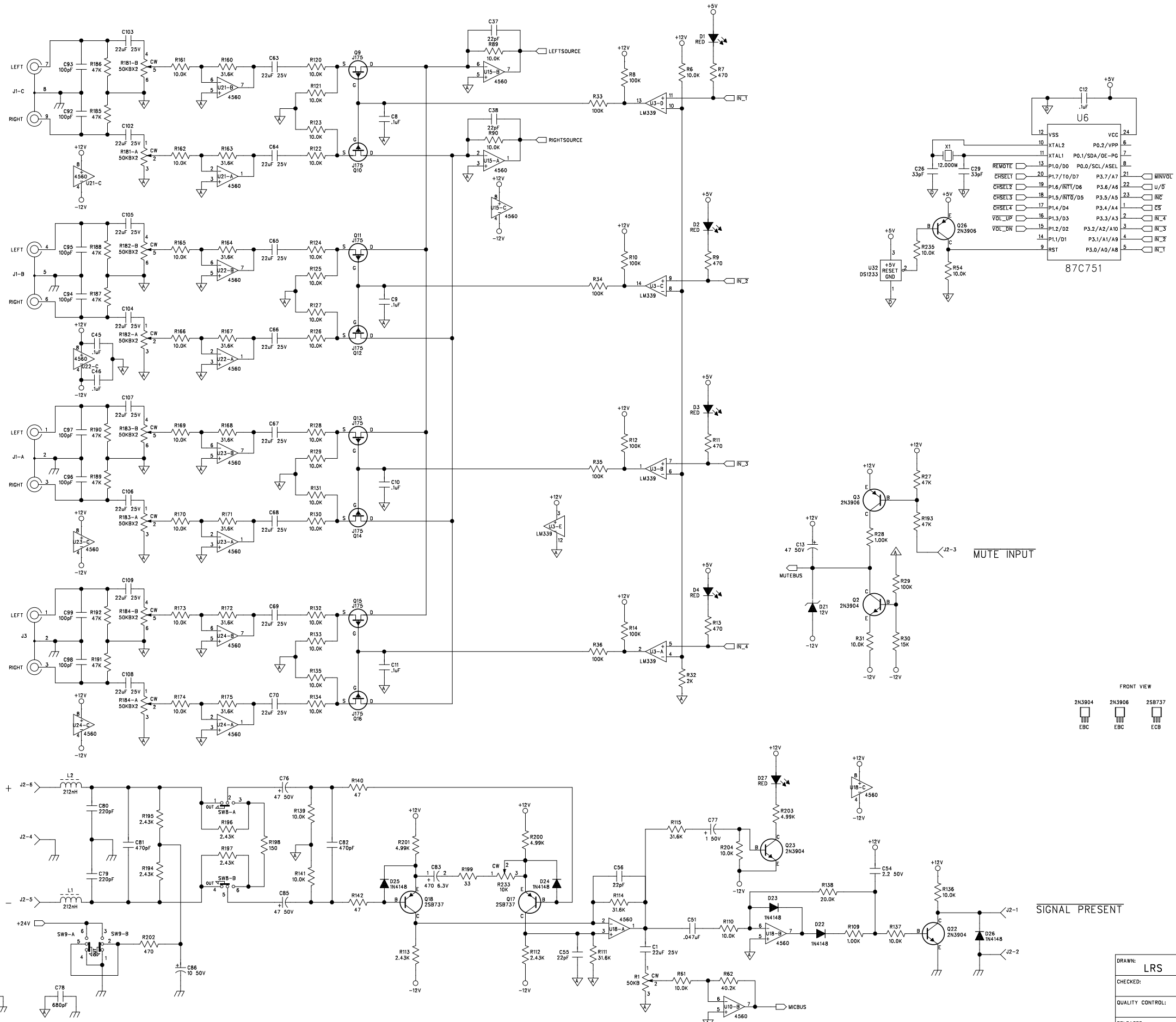
STEREO INPUT 1

STEREO INPUT 2

STEREO INPUT 3

STEREO INPUT 4

MIC INPUT



SIGNAL PRESENT

DRAWN: LRS	DATED: 11/15/96
CHECKED:	DATED:
QUALITY CONTROL:	DATED:
RELEASED:	DATED:

COMPANY: BIAMP SYSTEMS, INC			
TITLE: SPM412E PCB ASSEMBLY			
CODE:	SIZE: D	DRAWING NO: 700.0470.00	REV: A
SCALE:		SHEET: 1 OF 2	

6

5

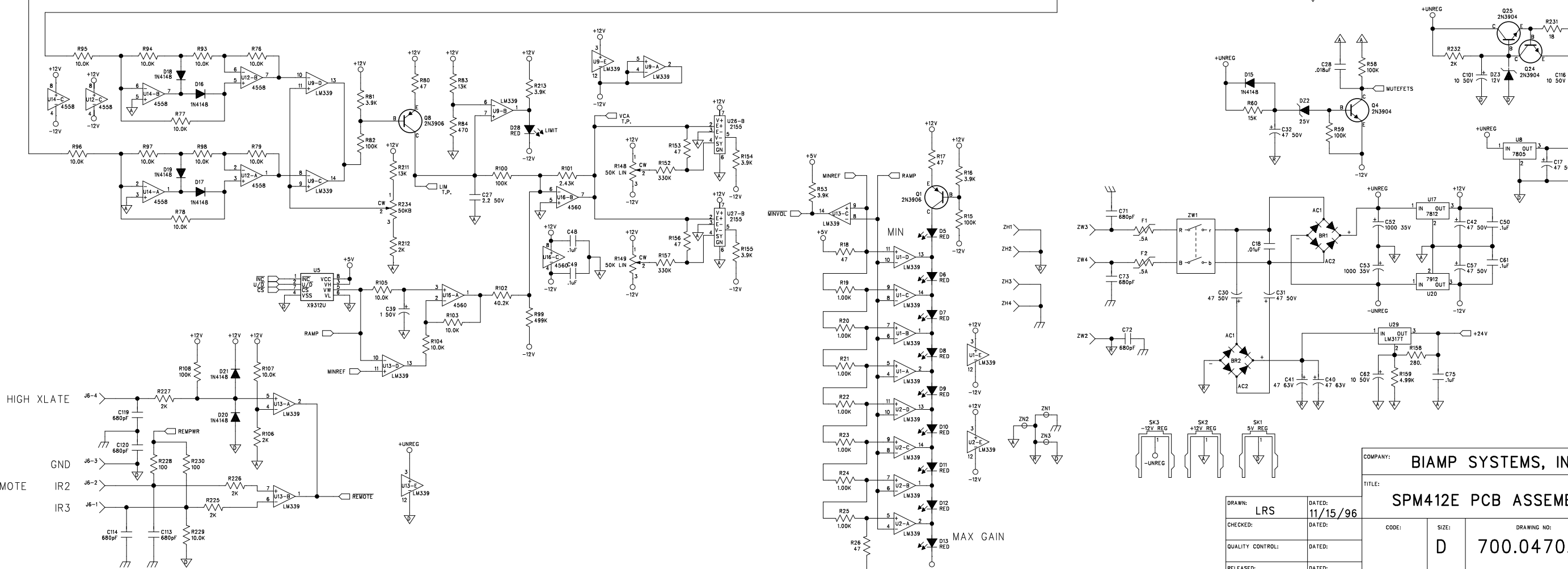
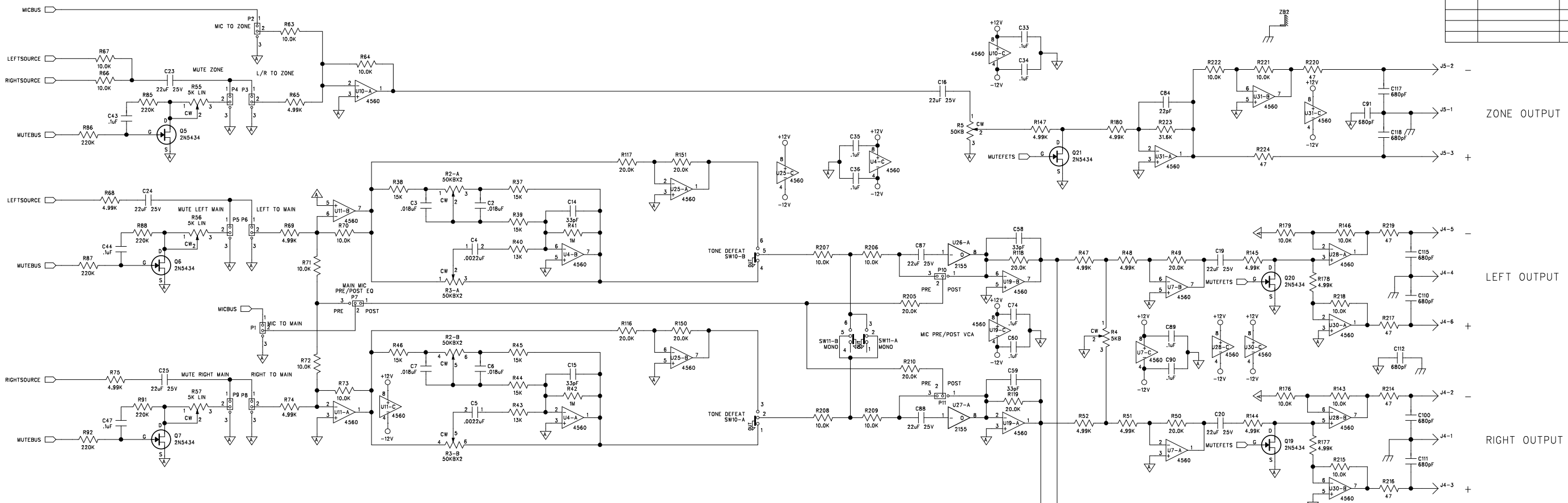
4

3

2

1

REVISION RECORD			
LTR	ECCO NO:	APPROVED:	DATE:



COMPANY: BIAMP SYSTEMS, INC			
TITLE: SPM412E PCB ASSEMBLY			
DRAWN: LRS	DATED: 11/15/96	CODE: D	SIZE: 700.0470.00
CHECKED:	DATED:	DRAWING NO:	REV: A
QUALITY CONTROL:	DATED:	SCALE:	SHEET: 2 OF 2
RELEASED:	DATED:		