

# BOSS

# AB-2

## 2-WAY SELECTOR

## SERVICE NOTES

Second Edition

Issued by RJA



## TABLE OF CONTENTS

SPECIFICATIONS.....	1
EXPLODED VIEW .....	2
EXPLODED VIEW PARTS LIST .....	3
PARTS LIST.....	4
CIRCUIT BOARD (from S/No.A**6199) .....	6
CIRCUIT DIAGRAM(form S/No.A**6199) .....	6
CIRCUIT BOARD(S/No.A**6200 up).....	7
CIRCUIT DIAGRAM(S/No.A**6200 up).....	7

## SPECIFICATIONS

Nominal Input Level: -20 dBu

Nominal Output Level: -20 dBu

Control: Pedal

Indicators: A (red), B (yellow)

Connectors: A jack, B jack, IN/OUT jack

Current Draw: 5 mA or less

\* *Expected battery life under continuous use:*

Carbon: 100 hours

Power Supply: Dry Battery (R03/LR03 (AAA) type) x 2

Dimensions: 96 (W) x 90 (D) x 43 (H) mm

3-13-16 (W) x 3-9/16 (D) x 1-3/4 (H) inches

Weight: 240 g/ 9 oz

Accessories:

Owner's Manual Japanese/English (#C5100003)

Dry Battery (R03/LR03(AAA) type) x 2(#\*\*\*\*\*)

Number Seal (#22530402)

Leaflet("USINGTHEUNITSAFELY", "IMPORTANTNOTES" and "Information")(\*\*\*\*\*)

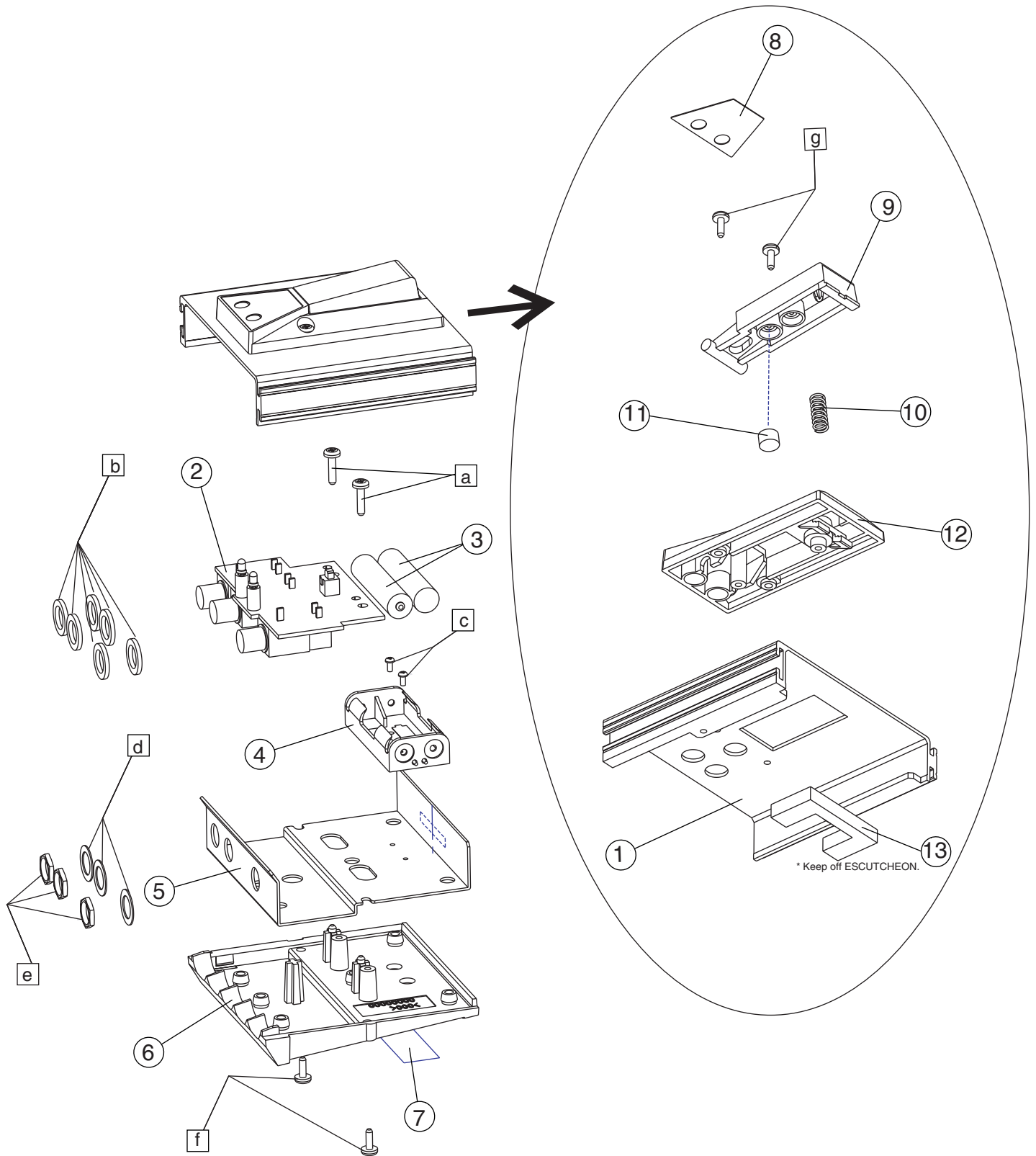
\* 0 dBu = 0.775 Vrms

\* *In the interest of product improvement, the specifications and/or appearance of this unit are subject to change without prior notice.*

**Copyright © 2003 ROLAND CORPORATION**

All rights reserved. No part of this publication may be reproduced in any form without the written permission of ROLAND CORPORATION.

# EXPLODED VIEW



# EXPLODED VIEW PARTS LIST

## [Parts]

No.	PART CODE	PART NAME	DESCRIPTION	Q'TY
1	C6400005	TOP CASE		1
2	SK000132	FINISHED GOODS	(PWB BOARD)	1
3	*****	DRY BATTERY	GP24G (R03/LR03(AAA) TYPE)	2
4	G2017634	BATTERY HOLDER	SN-42-1	1
5	C6000027	CHASSIS		1
6	C6600001	BOTTOM CASE		1
7	C6700006	LABEL CAUTION	BATTERY	1
8	C6200004	PEDAL SW PANEL		1
9	C6200016	PEDAL		1
10	C6300003	PEDAL SPRING		1
11	C6600003	PEDAL FOOT		1
12	C6200015	BATTERY ESCUTCHEON		1
13	C5000004	BATTERY CUSHION PORON	L-24	1

## [Screws]

No.	PART CODE	PART NAME	DESCRIPTION	Q'TY
a	C7000004	SCREW 3x12	BINDING TAPTITE B NI	2
b	C7100004	WASHER	M9.2x14x1.6 ZNY	6
c	C7000021	SCREW M2x4	PAN MACHINE ZC	2
d	H5039112	WASHER M9.2x12x2	FEN	3
e	H5039510	NUT M9x12x2	FEN	3
f	C7000005	SCREW 3x8	BINDING TAPTITE B BZC	2
g	C7000008	SCREW 3x8	BINDING FE BZC	2

# PARTS LIST

**SAFETY PRECAUTIONS:**

The parts marked  $\Delta$  have safety-related characteristics. Use only listed parts for replacement.

**CONSIDERATION ON PARTS ORDRING**

When ordering any parts listed in the parts list, please specify the following items in the order sheet.

	QTY	PART NUMBER	DESCRIPTION	MODEL NUMBER
Ex.	10	22575241	Sharp Key	C-20/50
	15	2247017300	Knob (orange)	DAC-15D

Failure to completely fill the above items with correct number and description will result in delayed or even undelivered replacement.

NOTE: The parts marked # are new. (initial parts)



Supply is impossible except the spare parts for repairing listed by the service notes because it is hard to obtain them.

When you need repairing of a main unit and you need the except the parts listed by the service notes, please order a new one from the service center and replace it with a new one.

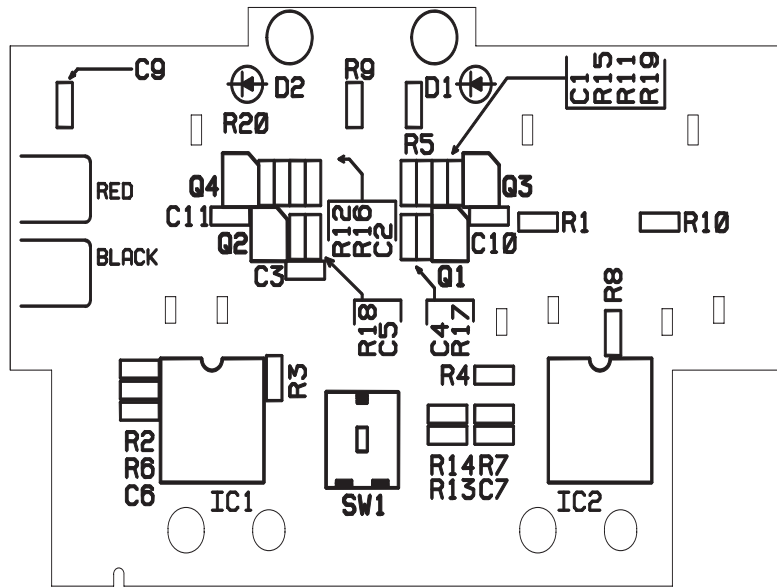
CASING					Q'TY
#	C5000004	BATTERY CUSHION PORON	L-24		1
#	G2017634	BATTERY HOLDER	SN-42-1		1
#	C6600001	BOTTOM CASE			1
#	C6000027	CHASSIS			1
#	C6400005	TOP CASE			1
#	C6200016	PEDAL			1
#	C6200015	PEDAL ESCUTCHEON			1
#	C6600003	PEDAL FOOT			1
#	C6300003	PEDAL SPRING	SUS304		1
#	C6200004	PEDAL SW PANEL	BLACK		1
SWITCH					
#	13129366	SPPH24036B	PUSH SWITCH (UNLOCKED)		1
JACK,EXT TERMINAL					
	C2300007	HTJ-064-12D	6.5MM JACK (STEREO)	IN/OUT	1
	C2300008	HTJ-064-12I	6.5MM JACK (MONO)	A, B	2
FINISHED GOODS					
#	SK000132	FINISHED GOODS	for SERVICE ONLY		1
IC					
#	03125190	TLP202G	IC (PHOTO RELAY)		2
TRANSISTOR					
	15319107	2SC4116GR-TE85R	TRANSISITOR		4
DIODE					
	03343090	1SS387(TPH3)	SWITCHING DIODE	D3, D4 (S/NO.A**6200 UP)	2
	C1000001	L-934SYD	LED (YELLOW)		1
	C1000003	L-934SD-D	LED (RED)		1
SCREW					
#	C7000005	SCREW M2x4	PAN MACHINE ZC		2
	C7000008	SCREW 3x8	BINDING MACHINE BZC		2
	C7000005	SCREW 3x8	BINDING TAPTITE B BZC		2
#	C7000004	SCREW 3x12	BINDING TAPTITE B NI		2
	H5039510	NUT M9x12x2	FENI		3
	C7100004	WASHER M9.2x14x1.6	ZNY		6
	H5039112	WASHER M9x12x2	FENI		3
PACKING					
#	C490003201	PACKING CASE			1
MISCELLANEOUS					
#	C6700006	LABEL CAUTION	BATTERY		1

## ACCESSORIES (Standard)

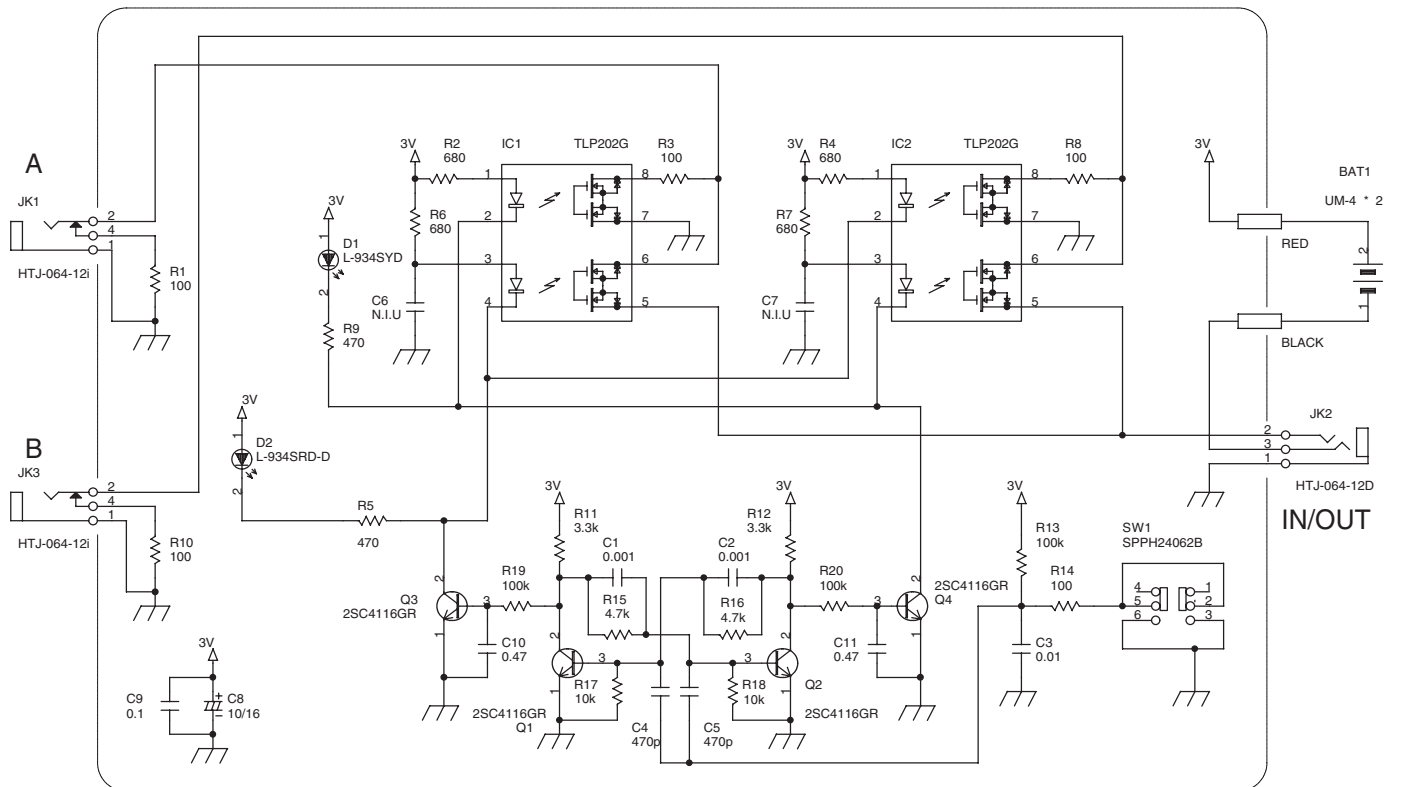
---

#	C5100003	OWNER'S MANUAL	JAPANESE/ENGLISH	1
	22530402	NUMBER SEAL		1
	*****	DRY BATTERY	GP24G (R03/LR03(AAA) TYPE)	2

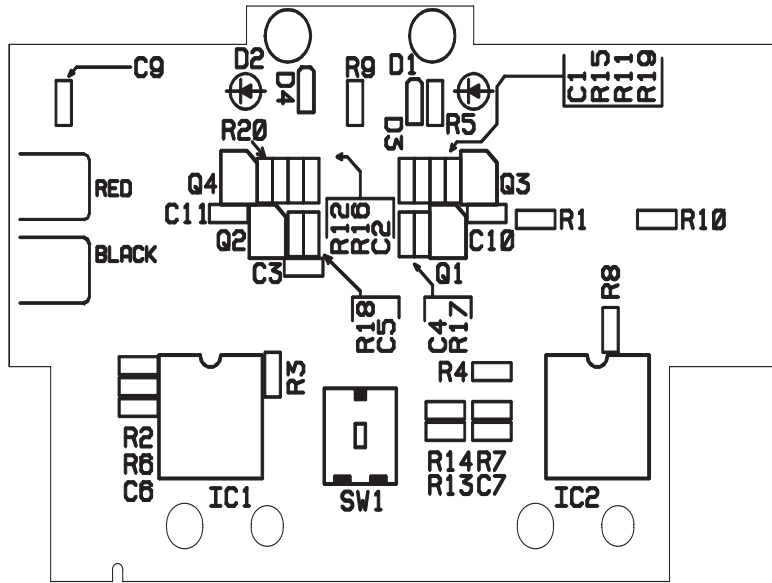
# CIRCUIT BOARD (from S/No.A\*\*6199)



# CIRCUIT DIAGRAM (form S/No.A\*\*6199)



# CIRCUIT BOARD (S/No.A\*\*6200 up)



# CIRCUIT DIAGRAM (S/No.A\*\*6200 up)

