

BOSS CE-2/CE-2B

SERVICE NOTES *First Edition*

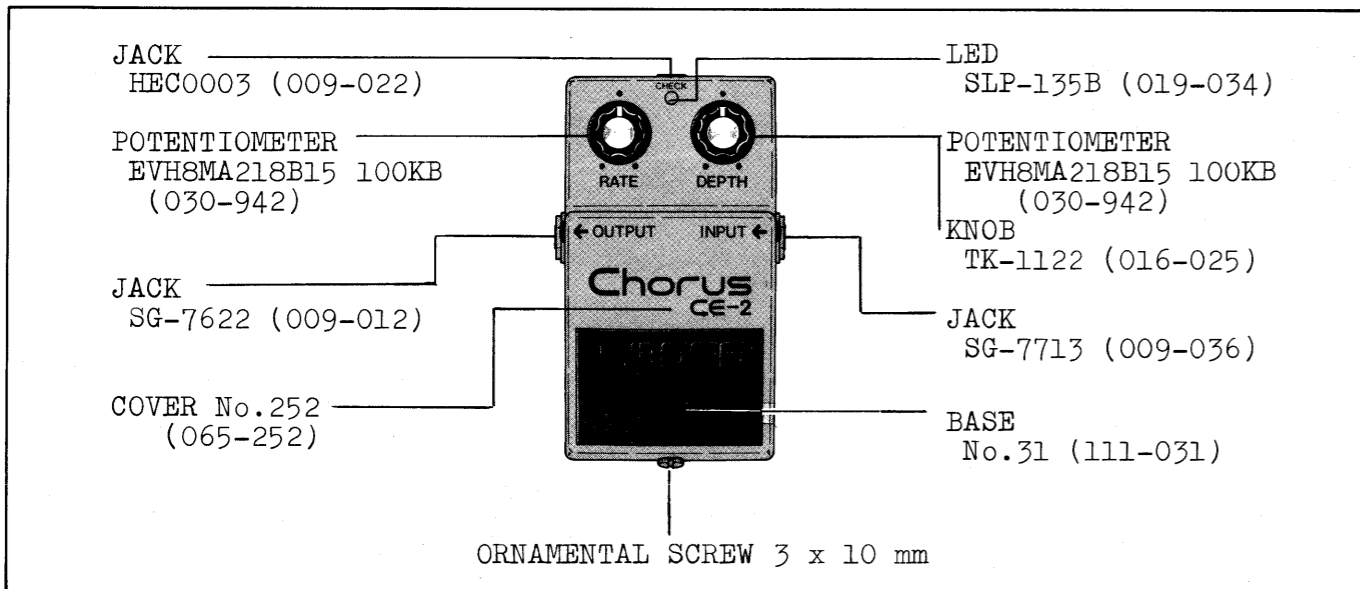
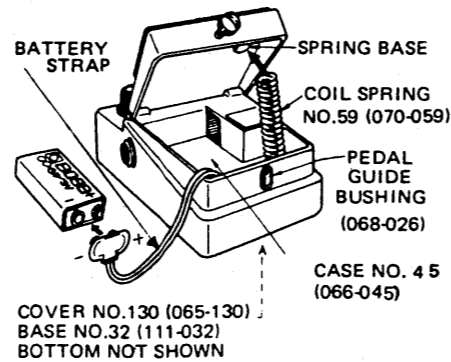
ET-50B(151-050B) (PCB 052-516B)

CE-2

※This notes includes the contents of the CE-2 First Edition and makes it obsolete.
 ※CE-2のサービスノート第一版は廃版とし本サービスノートに併合します。

SPECIFICATIONS

- Power Battery 9V (1), AC Adaptor
- Current requirements DC9V, 9mA
- Control Rate, Depth
- Others Normal/Effect Changeover Switch, Effect Indicator (also for confirmation of Battery Check)
- Jack Input, Output, AC Adaptor
- S/N 90dB or more (IHF-A)
- Maximum allowable input 0dBm (100Hz), -10dBm (1kHz)
- Input impedance 470kΩ
- Output load impedance Over 10kΩ
- Dimensions 70(W) x 55(H) x 125(D)mm (2.8" x 2.2" x 4.9")
- Weight 400g (0.88lbs.)



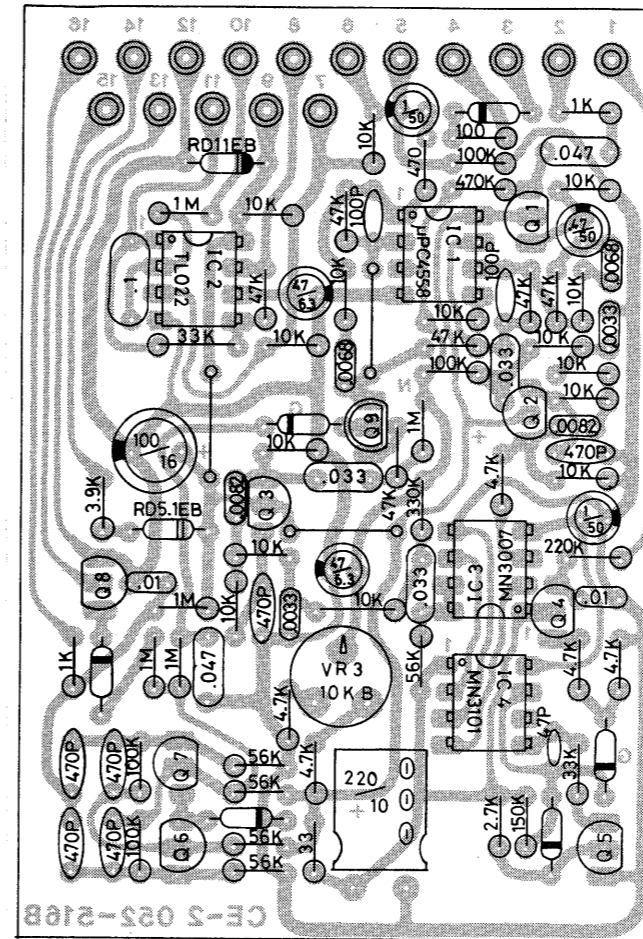
PARTS LIST

- 066-045 Case no.45 (light blue)
- 065-252 Cover no.252 (light blue)
- 065-130 Cover no.130 bottom
- 111-031 Base no.31 pedal matt
- 111-032 Base no.32 bottom
- 068-026 Guide bushing no.26
- 064-151 Holder no.151 washer LED
- 107-053 Cushion no.53 PCB
- 065-153 Cover no.153 PCB
- 070-059 Spring no.59 coil
- 016-025 Knob no.25 TK-1122
- 030-942 Pot. EVH8MA218B15 100KB
- 001-295 Switch J-MO404
- 151-050B PCB assy ET-50B
- 052-516B PCB ET-50B less parts

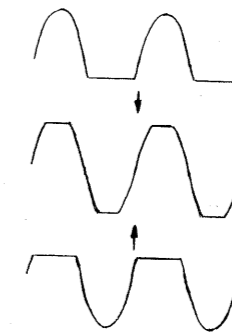
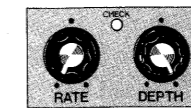
SEMICONDUCTOR

- 017-110 2SC945-P transistor
- 017-104 2SC732TM-GR transistor
- 017-014 2SK30A-Y FET
- 018-014 1S2473 Diode
- 018-075 RD5.1EB zener
- 018-039 RD11EB zener
- 019-034 SLP-135B LED
- 020-097 μPC4558C IC
- 020-164 TL022CP IC
- 020-213 MN3007 BBD
- 020-224 MN3101 BBD driver
- 009-022 Jack HEC-0003 adaptor
- 009-012 Jack SG-7622
- 009-036 Jack SG-7713

1 2 3 4 5 6 7 8 9 10 11 12 13 14 15 16 17 18 19



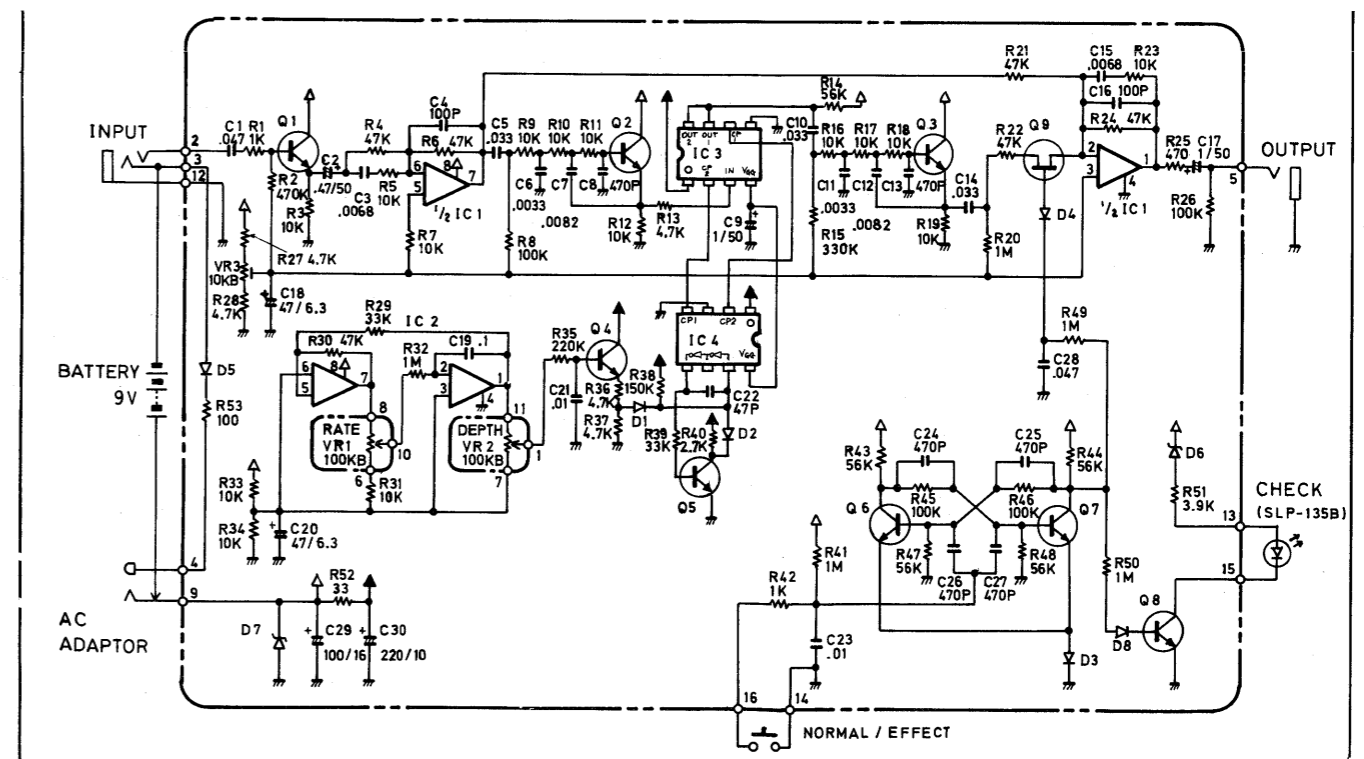
ADJUSTMENT



Set controls as shown left.
 Feed a signal 200Hz, + 3dBm, sine into INPUT Jack.
 Connect an oscilloscope to Q3 emitter.
 Determine the BBD bias by turning VR-3 to provide a centered operating-point.

- D1-D5, D8: 1S2473 or 1S1588
- D6 : RD5.1EB
- D7 : RD11EB
- IC1 : μPC4558C
- IC2 : TL022CP
- IC3 : MN3007(1024-stage)
- IC4 : MN3101(BBD driver)

- CERAMIC
- ELR-25
- Q1-3 2SC732TM-GR
- Q4-8 2SC945-P
- ELECTROLYTIC
- MYLAR



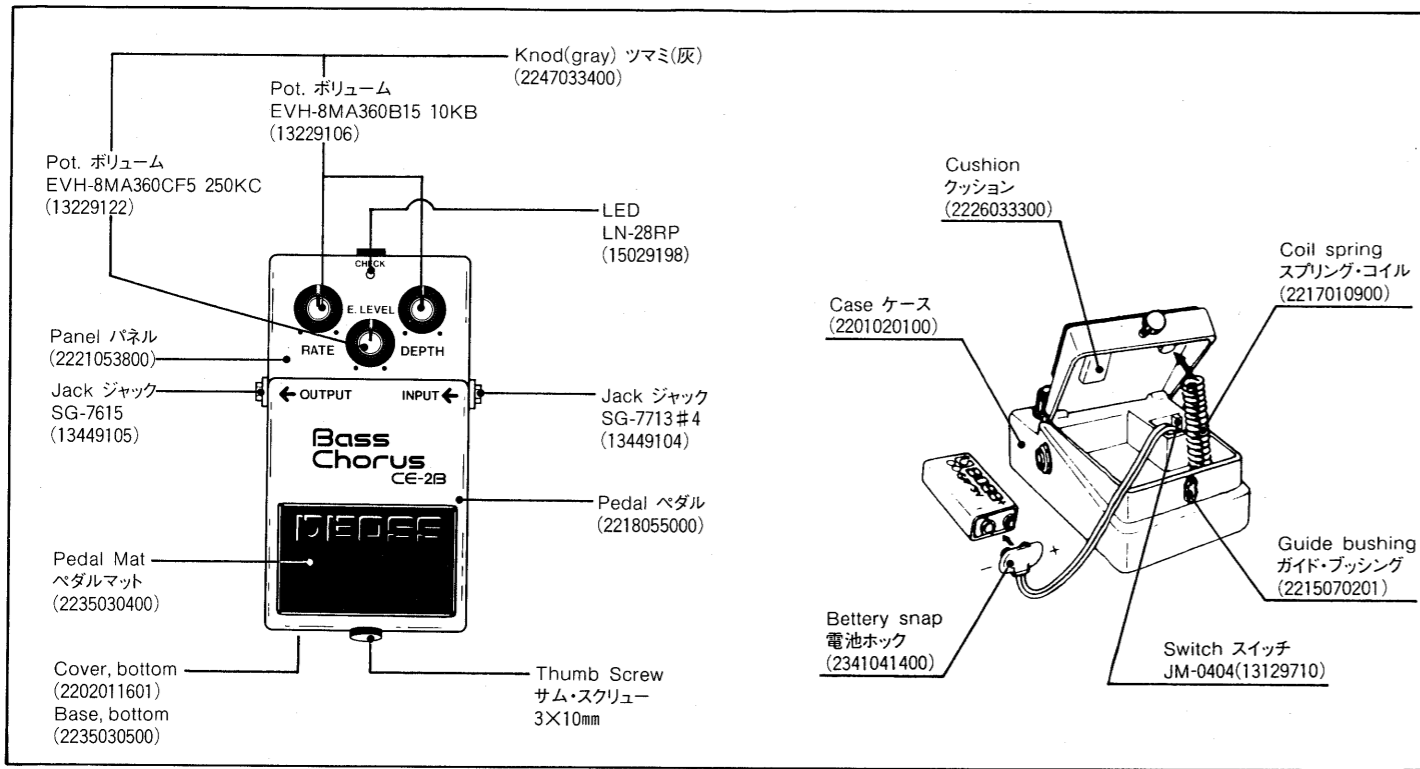
A
B
C
D
E
F
G
H
I
J
K
L
M
N
O
P
Q
R
S
T
U

CE-2B

SPECIFICATIONS

Power Source.....9V BatteryX1 or AC adaptor(BOSS ACA Series)
 Current Draw.....10mA@9V
 Residual Noise.....Less than -100dBm(IHF-A)
 Maximum Input Level.....0dBm(100Hz)
 Input Impedance.....470kΩ

Output Load Impedance.....More than 10kΩ
 Dimensions.....70(W)×55(H)×125(D)mm
 2-3/4(W)×2-1/4(H)×5(D)in.
 Weight.....400g/14oz



PARTS LIST

CASING

2201020100	Case
2221053800	Panel
2202011601	Cover
2235030500	Base
2218055000	Pedal
2235030400	Pedal Mat

KNOB

2247033400	grey
------------	------

PCB ASSY

7523851000	MT Board	(pcb 2292044000)
-----	LED Board	(pcb 2291049600)

IC

15189102	NJM4558DD	Op amp
15189115	TL022CP	Op amp
15219205	MN3007	BBD
15169504	MN3101	BBD driver

TRANSISTOR

15129120	2SC2240-GR	
15129113	2SC1740	
15139101	2SK30A-Y	FET

DIODE

15019107	DS-442	
15019209T0	S-5500G	
15019526	RD5.6EB-3	zener
15029198	LN-28RP	LED

JACK

13669704	HEC-0749-01-010	AC adaptor
13449105	SG-7615	
13449104	SG-7713#4	

SWITCH

13129710	JM-0404
----------	---------

POTENTIOMETER

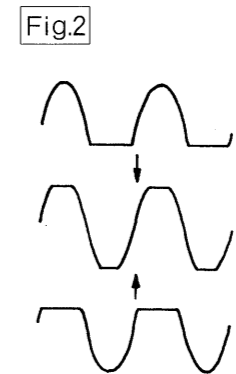
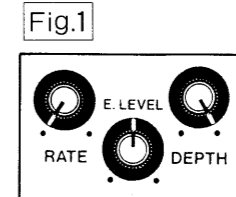
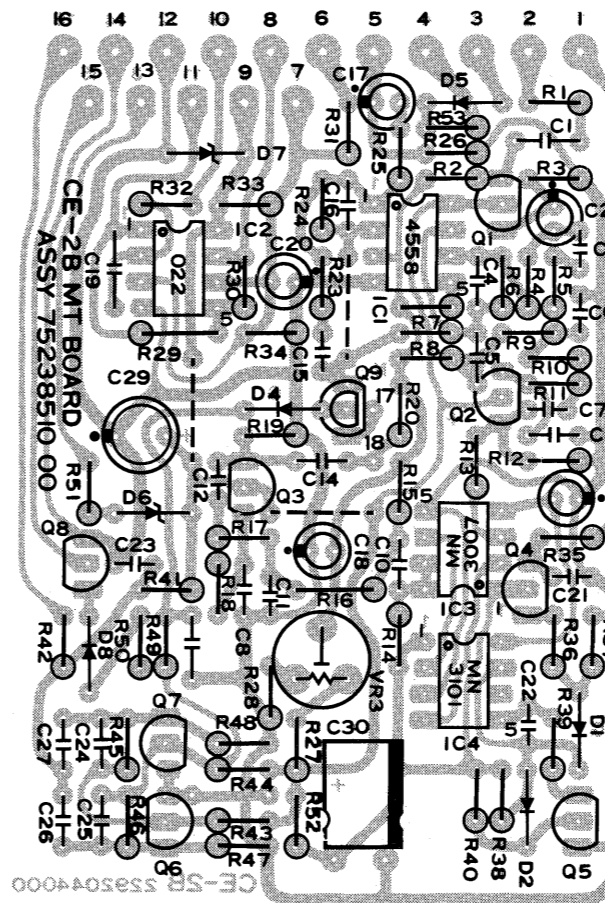
13229106	EVH-8MA360B15	10KB	RATE, DEPTH
13229122	EVH-8MA360CF5	250KC	E. LEVEL
13299195	EVN-D4AA00B14	10KB	trimmer

MISCELLANEOUS

2215070201	Guide Bushing	
2226033300	Cushion	
2217010900	Coil Spring	
2341041400	Battery Snap	
2216052900	Plastic Sheet	clear

1 2 3 4 5 6 7 8 9 10 11 12 13 14 15 16 17 18

MT BOARD 7523851000 (pcb 2292044000)

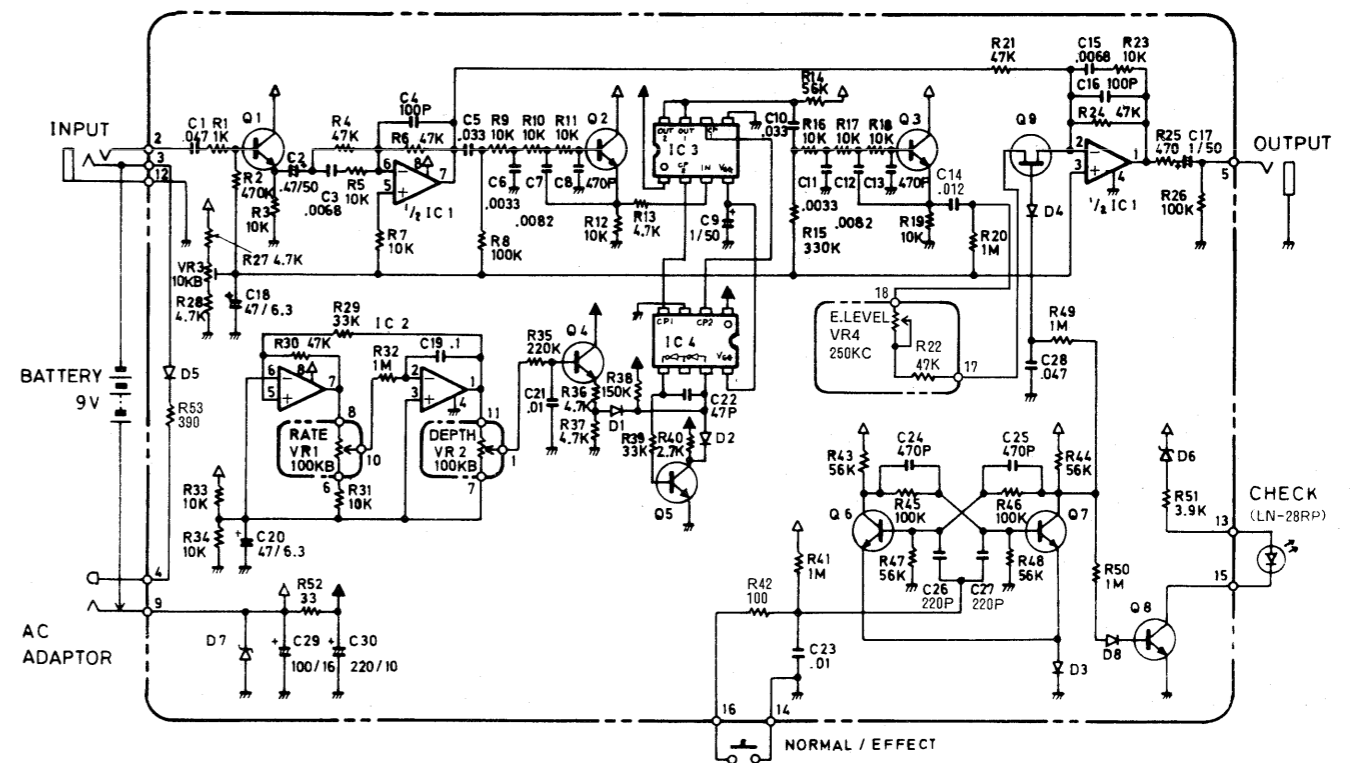


ADJUSTMENT

1. Set controls as shown in Fig.1.
2. Feed a signal 200Hz,+3dBm, sine into INPUT Jack.
3. Connect an oscilloscope to Q3 emitter.
4. Determine the BBD bias by turning VR-3 to provide a centered operating-point as shown in Fig.2.

調整仕様

1. Fig-1の様にツマミ類をセットする。
2. INPUTに200Hz,+3dBmのサイン波を加える。
3. オシロスコープをQ3のエミッタに接続する。
4. VR-3を調整して波形がFig-2の様に上下対称になる様にする。



IC-1: NJM4558DD Q1-Q3: 2SC2240GR D1-D5, D8: 1S2473
 IC-2: TL022CP Q4-Q8: 2SC945P D6 :RD-5.6EB3
 IC-3: MN3007(1024stag) Q9 :2SK30A-Y D7 :S5500G
 IC-4: MN3101(BBD Driver)