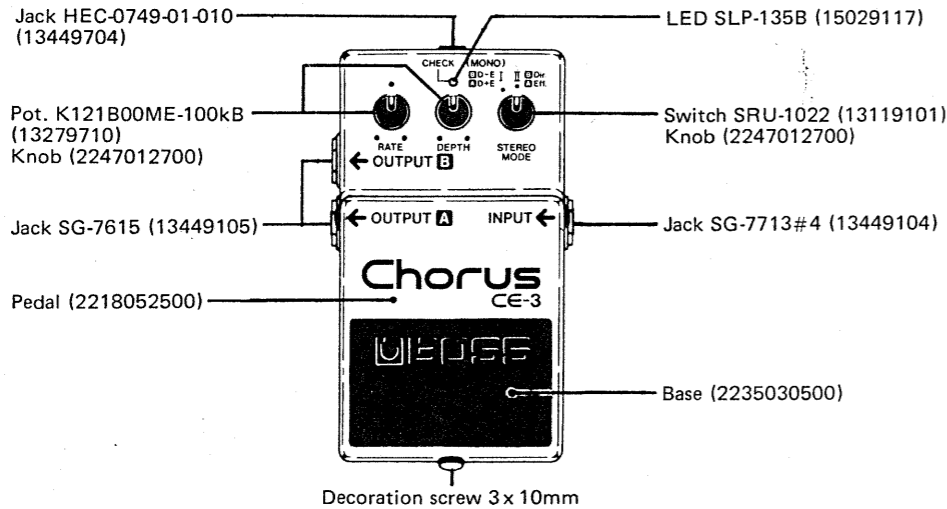
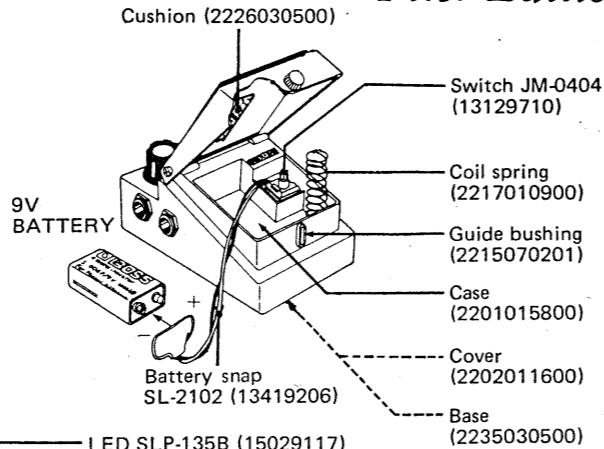


# BOSS CE-3 SERVICE NOTES

First Edition

## SPECIFICATIONS

- Power ..... 9V DC (Battery or AC adaptor)
- Power Consumption ..... 13mA at 9V
- S/N Ratio ..... better than 90dB (IHF-A)
- Maximum Output Level ..... 0dBm (100Hz), -10dBm (1kHz)
- Input Impedance ..... 1MΩ (FET input)
- Output Load Impedance ..... over 10kΩ
- Dimensions ..... 70(W)x55(H)x125(D)mm (2-3/4"x2-1/4"x5")
- Weight ..... 400g (14 oz.)

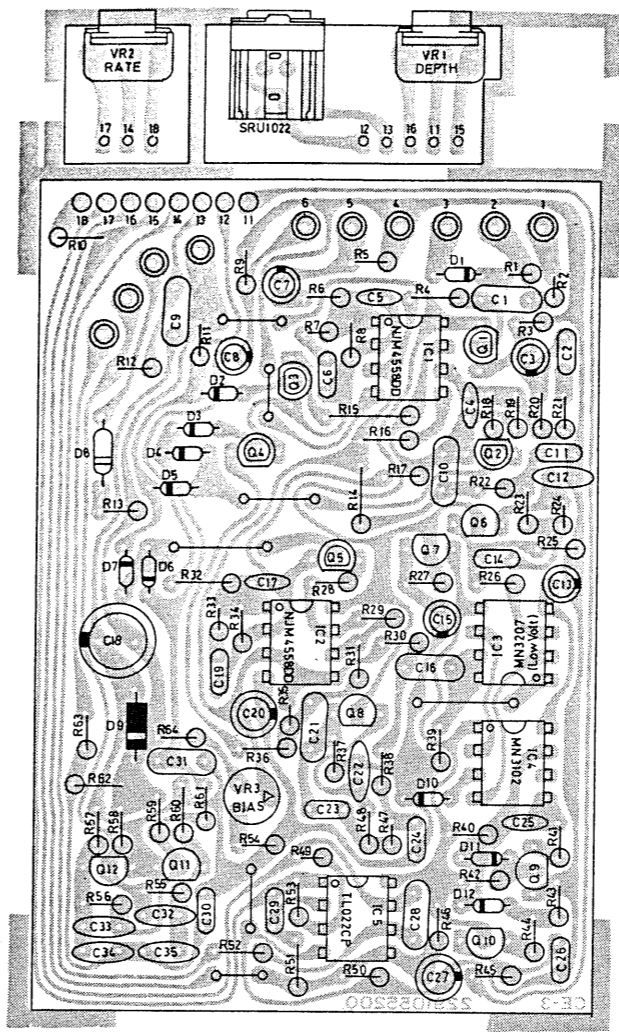


## PARTS LIST

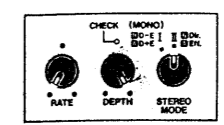
2201015800	Case	light blue metallic	PCB	7522251001	Ass'y ET5222-510	(pcb 2291055200)
2218052500	Pedal	light blue metallic			LED mounting	(pcb 2291049600)
2202011600	Cover	bottom	IC	15189102	NJM4558DD	op amp
2235030500	Base	bottom		15189115	TL022CP	op amp
2235030400	Base	pedal matt		15219211	MN3207	BBD
2215070201	Guide bushing			15219210	MN3102	BBD driver
2216050200	Spacer	pcb-bottom cover	TRANSISTOR	15129104	2SC732TM-GR	
2217010900	Coil spring			15129108	2SC945-P	
2226030500	Cushion			15139101	2SK30ATM-Y	FET
2247012700	Knob		DIODE	15019125	1SS133	
2226033300	Battery snap SL-2102			15019209T0	S5500G	
				15019526	RD5.6EB-3	zener
				15029117	SLP-135B	LED
JACK						
13449104	SG-7713#4	INPUT				
13449105	SG-7615	OUTPUT				
13449704	HEC-0749-01-010	adaptor				
SWITCH						
13129710	JM-0404	key				
13119101	SRU-1022	rotary				
POTENTIOMETER						
13279710	K121B00ME-100k	RATE, DEPTH				
13229140	H0651A-10k	trimmer				

LED.PCB 1B 2291049800 + #10112° + LED  
 SN 2873008 2291057800 + TR-2 + LED  
 12066308  
 Printed in Japan BC-2 1

## ET5222-510 (7522251001) (pcb 2291055200)



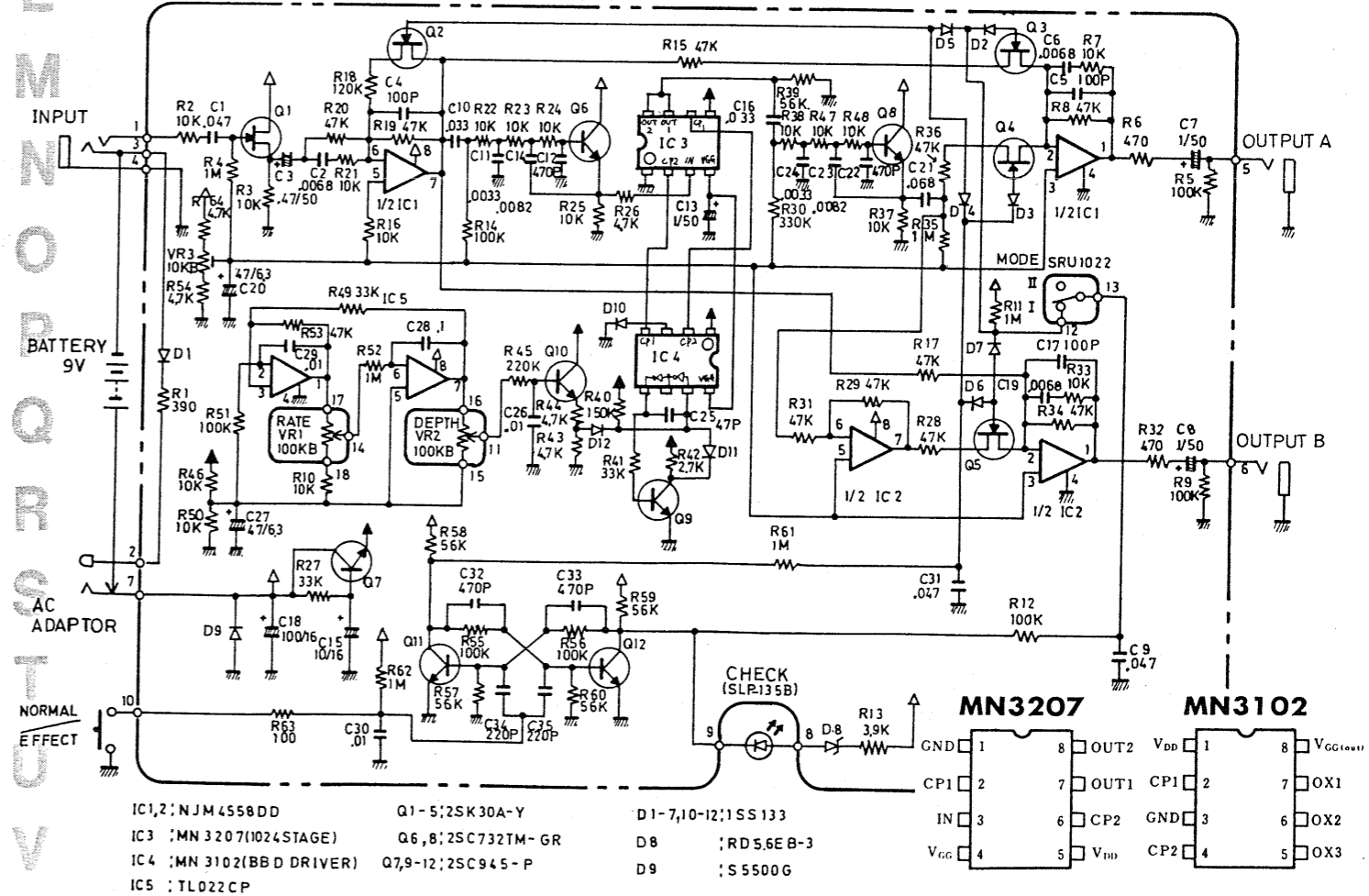
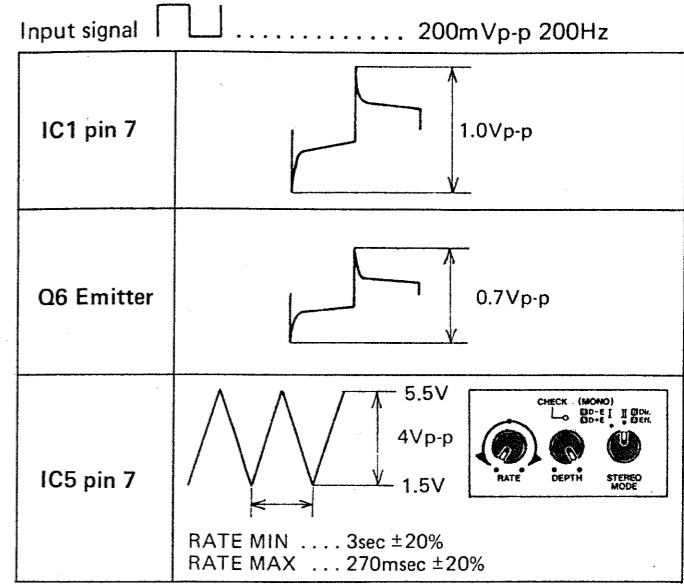
## ADJUSTMENT



Set controls as shown left. Feed a signal 200Hz, +2dBm, sine into INPUT jack. Connect an oscilloscope to Q8 emitter.

Determine the BBD bias by turning VR-3 to provide a centered operating-point.

## WAVEFORMS



IC1,2: NJM 4558DD	Q1-5: 2SK 30A-Y	D1-7,10-12: 1SS 133	MN3207
IC3 : MN 3207(1024STAGE)	Q6,8: 2SC 732TM- GR	D8 : RD 5.6EB-3	MN3102
IC4 : MN 3102(BBD DRIVER)	Q7,9-12: 2SC 945- P	D9 : S 5500G	
IC5 : TL022 CP			