

BOSS CH-1

SUPER CHORUS

SERVICE NOTES

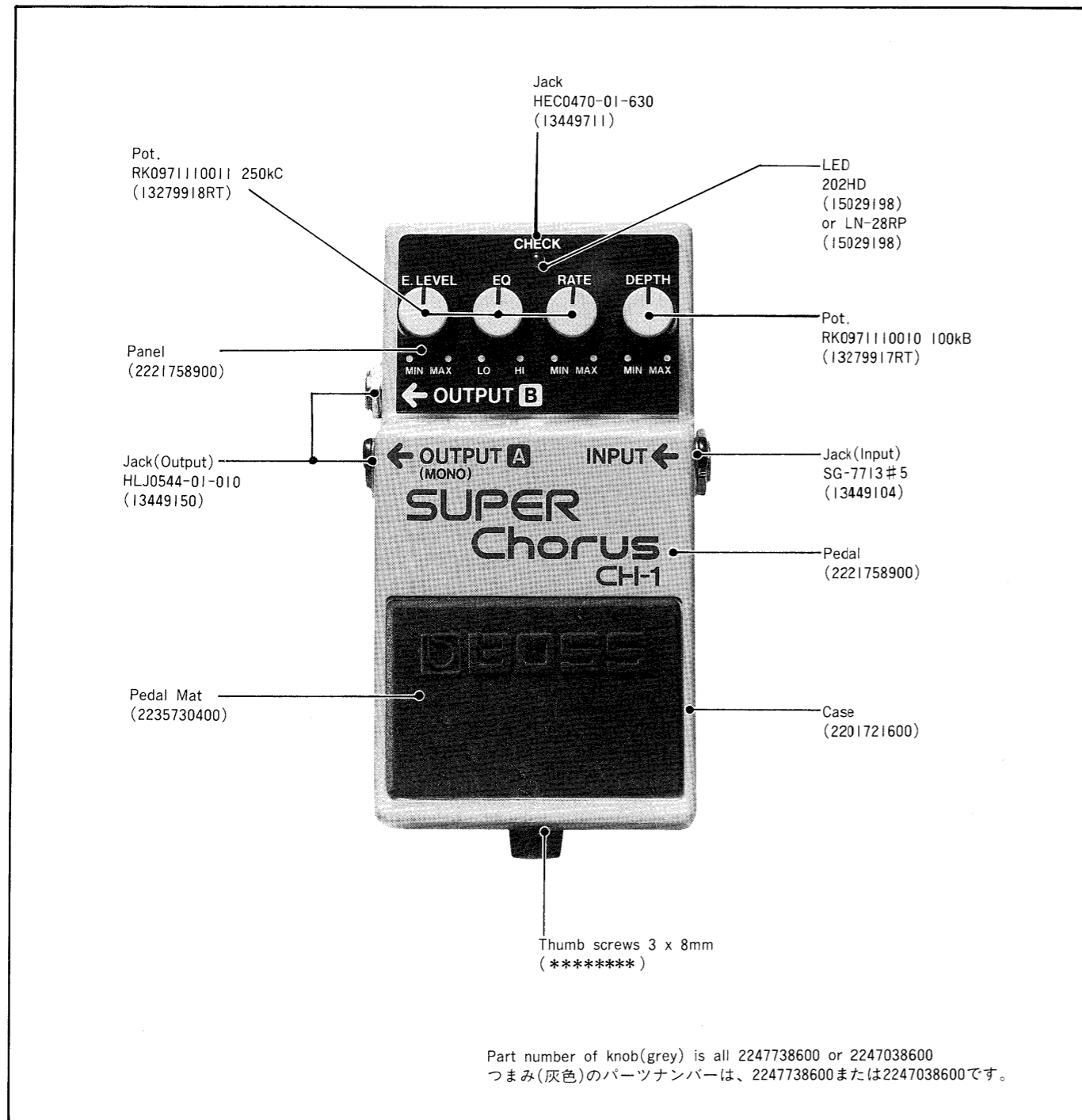
First Edition

SPECIFICATIONS

Power Source	: 9V DC(9V Battery(006P)x 1, AC Adapter(PSA series))	Dimensions	: 70(W) x 55(H) x 125(D) mm 2-3/4 x 2-3/16 x 4-15/16 inch
Current Draw	: 15mA (9V DC)	Weight	: 400g /14 oz.
Residual Noise	: Less than -95dBm(IHF-A) with EQ set to the center position	Accessory	: Owner's Manual(English) 取扱説明書 9V Battery(006P) x 1 (12569103RT)
Input Impedance	: 1MΩ	Options	: AC Adapter(PSA-120,220,240)
Maximum Output level	: 100Hz -3dBm , 1kHz -10dBm		
Output Load Impedance	: Over 10kΩ		

PARTS LIST

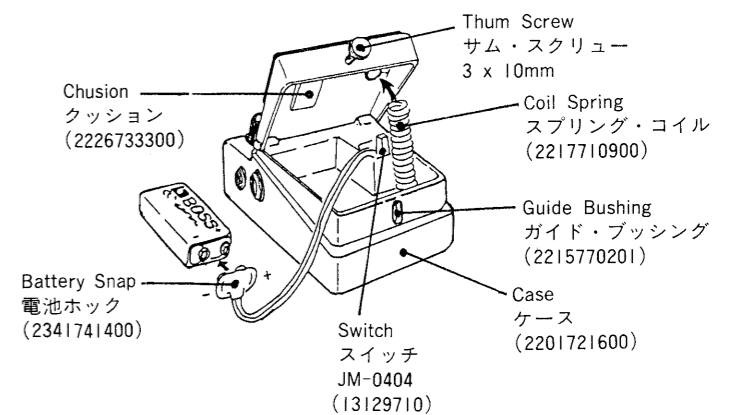
CONSIDERATIONS ON PARTS ORDERING			
QTY	PART NUMBER	DESCRIPTION	MODEL NUMBER
Ex. 10	22575241	Sharp Key	C-20/50
15	2247017300	Knob (orange)	DAC-15D
Failure to completely fill the above items with correct number and description will result in delayed or even undelivered replacement.			
パーツ発注に関するお願い			
オーダーシートには、必ず下記の4項目は正確に記入して下さい。(例外は除く)			
必要数	パーツナンバ	品名	使用機種
例) 10	22575241	Sharp Key	C-20/50
15	2247017300	Knob (orange)	DAC-15D
もし記入漏れ、誤記等がある場合、必要部品が発送出来なかったり、大幅な遅れの原因になります。御協力をお願いします。			
CASING			
2201721600	Case		
2221758900	Panel		
2202785100	Cover	Bottom	
2235730500	Base	Bottom	
2218755900	Pedal		
2235730400	Pedal Mat		
KNOB			
2247738600		grey	
or 2247038600			
PCB ASSY			
7524451000	ET BOARD(pcb 2292755600 1/2)		
	Replacement ET Board includes VR Board.		
	VR Board (pcb 2292755600 2/2)		
7524452000	JK BOARD(pcb 2292768700)		
*****	LED BOARD(pcb 2291049600)		
IC			
15189136	M5218L(Op amp)		IC1,5 on the ET Board
15189185	M5223L(Op amp)		IC4 on the ET Board
15219205	MN3007 (BBD)		IC2 on the ET Board
15169504	MN3101 (BBD driver)		IC3 on the ET Board
TRANSISTOR			
15129108	2SC945P		Q4,5,6,7,8,9 on the ET Board
or 15129129	2SC1685R		
15129120	2SC2240GR		Q3,10 on the ET Board
15139101	2SK30ATM-Y (FET)		Q1,2 on the ET Board
DIODE			
15019103	1N4148		D2,5,6,7,8,10 on the ET Board
or 15019103	1S2473		
15019209TO	1N4004		D1 on the ET Board
or 15019209TO	S5500G		
15019507	RD3.0EB1 (zener)		D3,4 on the ET Board
15019526	RD5.6EB3 (zener)		D9 on the ET Board
15029198	202HD		LED on the LED Board
or 15029198	LN-28RP		
JACK			
13449711	HEC0470-01-630		AC adaptor INPUT
13449104	SG-7713 #5		OUTPUT A,B
13449150	HLJ0544-01-010		
SWITCH			
13129710	JM-0404		
POTENTIOMETER			
13279917RT	RK0971110010 100kB		DEPTH
13279918RT	RK0971110011 250kC		E.LEVEL, EQ, RATE
MISCELLANEOUS			
2215770201	Guide Bushing		
2226733300	Cushion		
2217710900	Coil Spring		
2341741400	Battery Snap		
2216756000	Plastic Sheet (clear)		ET Board - Cover(bottom)
2213070900	Jack Spacer		AL
ACCESSORY			
12569103RT	9V Battery (Including)		
*****	Owner's Manual(English)		
	(Japanese)		
*****	Thumb screw 3x8 mm		



Part number of knob(grey) is all 2247738600 or 2247038600
つまみ(灰色)のパーツナンバーは、2247738600または2247038600です。

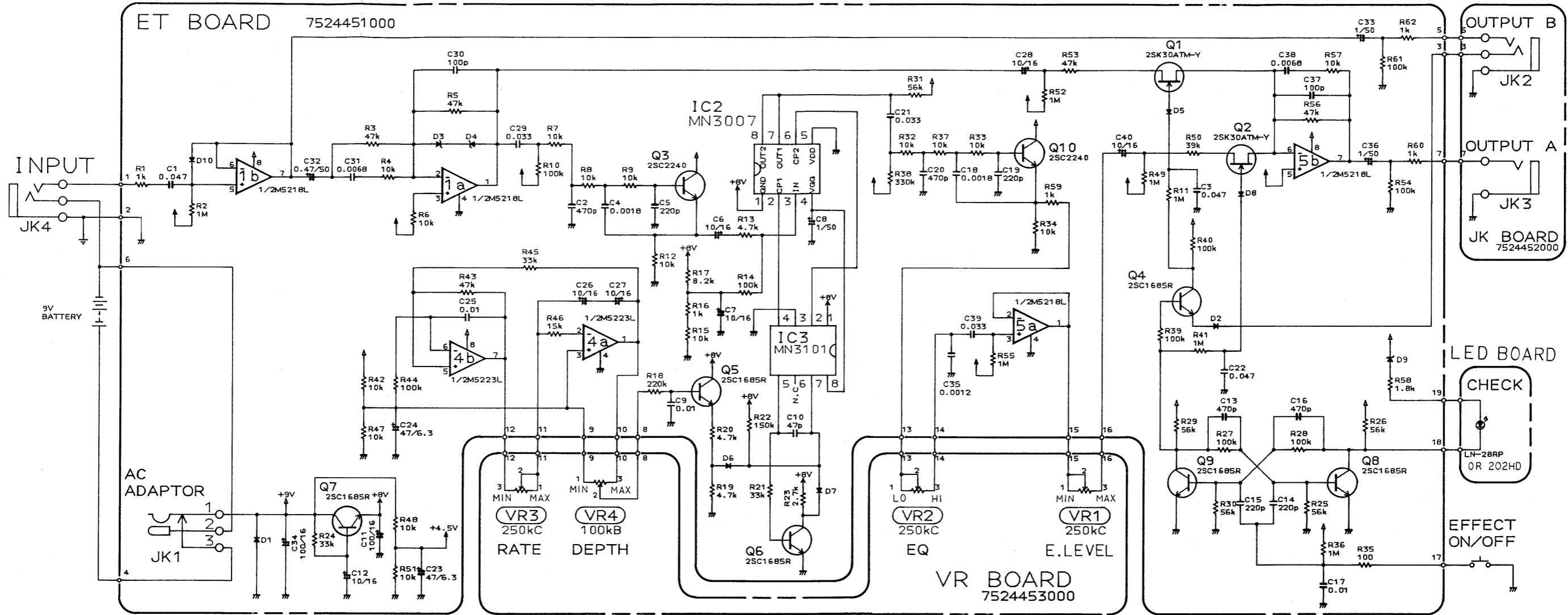
EXPLODED VIEW

(分解図)



1 2 3 4 5 6 7 8 9 10 11 12 13 14 15 16 17 18 19 20 21 22 23 24 25 26 27 28 29 30 31 32 33 34 35 36 37 38 39 40

CIRCUIT BOARD



Voltage	+9V	+8V	+4.5V
Symbol	↑	↑	↑

- IC1: 5:M5218L
- IC2: MN3007
- IC3: MN3101
- IC4: M5223L
- Q1, 2: 2SK30ATM-Y
- Q3, 10: 2SC2240
- Q4, 5, 6, 7, 8, 9: 2SC1685R or 2SC945
- D1: 1N4004 or S5500G
- D2, 5, 6, 7, 8, 10: 1N4148 or 1S2473
- D3, 4: RD3.0EB1
- D9: RD5.6EB3

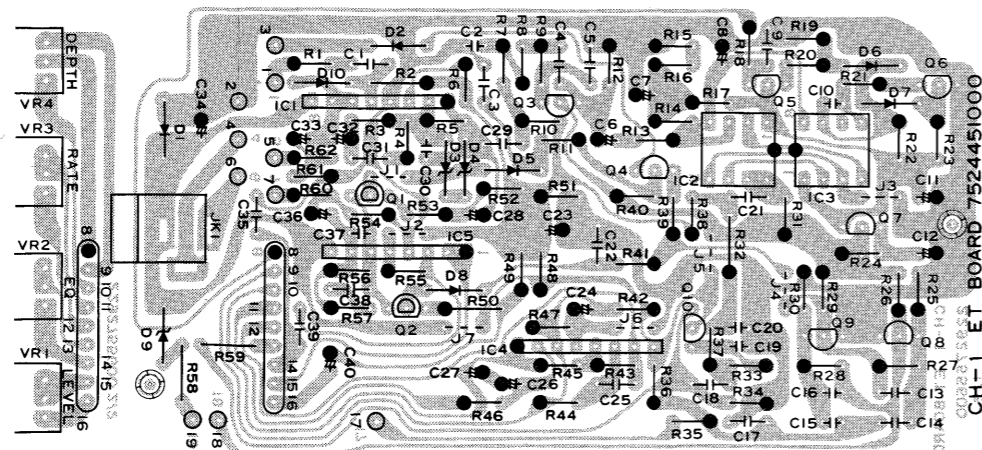
ET BOARD

ASSY 7524451000
(pcb 22920556RT)

REPLACEMENT ET Board includes VR Board.
補修用基板は、VR基板を含みます。

ET BOARD

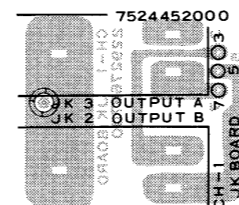
VR BOARD →



View from components side

JK BOARD

ASSY 7524452000
(pcb 22920687RT)



View from components side