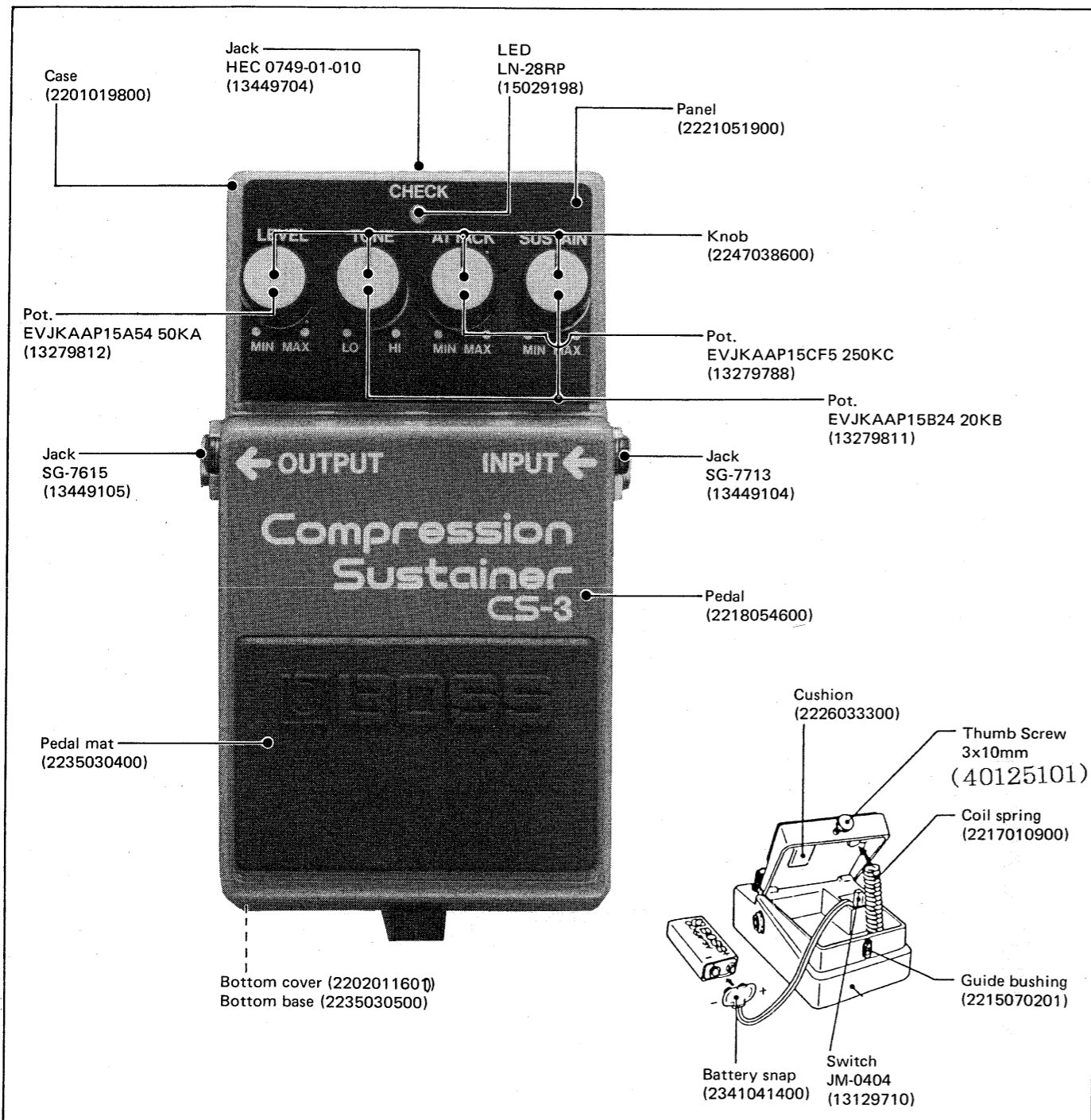


BOSS CS-3 SERVICE NOTES

First Edition

SPECIFICATIONS

- Power Source : 9V Battery or AC Adaptor (BOSS ACA-100, 120, 220 or 240)
- Current Draw : 10mA (@9V DC)
- Switches : Effect On/Off
- Jacks : Input, Output, AC Adaptor
- Indicator : Effect On/Off (Battery Check)
- Equivalent Input Noise : -110dBm (IHF-A)
- Input Impedance : 1MΩ
- Output Load Impedance : Over 10KΩ
- Dimensions : 70 (W) x 125 (D) x 55 (H) mm
2-3/4 (W) x 4-15/16 (D) x 2-3/16 (H) in.
- Weight : 400 g/14 oz.



PARTS LIST

CASING

2201019800	Case
2221051900	Panel
2202011600	Cover
2235030500	Base
2218054600	Pedal
2235030400	Pedal mat

KNOB

2247038600	Knob	gray
------------	------	------

PCB ASSY

7523252000	ET BOARD (pcb 2292037800)
Replacement ET BOARD includes VR BOARD.	
補修用 ET BOARD は VR BOARD を含みます。	
○ 7523254000 VR BOARD (pcb 2292037800)	
LED BOARD (pcb 2291049600) → CS-3用 LED BOARD → CE-3用 LED BOARD 使用可	
CE-3 LED BOARD 75222520	

IC

15219124	μPC1252H2	VCA
15189136	M5218L	OP amp
15189187	BA718	OP amp

TRANSISTOR

15129104	2SC732TMGR	
15129108	2SC945P	
15139106	2SK117-GR	FET
15139101	2SK30ATM-Y	FET

DIODE

15019125	1SS-133	
15019209T0	S5500G	
15019405	MTZ5.6-T77	Zener
or		
15019526	RD5.6EB3	Zener
150129198 15029198	LN-28RP	red LED

JACK

13449704	HEC-0749-01-010	AC Adaptor
13449105	SG-7615 #1	OUTPUT
13449104	SG-7713 #4	INPUT

SWITCH

13129710	JM-0404	PUSH
----------	---------	------

POTENTIOMETER

13279812	EVJKAAP15A54	50KA	LEVEL
13279811	EVJKAAP15B24	20KB	TONE, SUSTAIN
13279788	EVJKAAP15CF5	250KC	ATTACK

FLAT CABLE

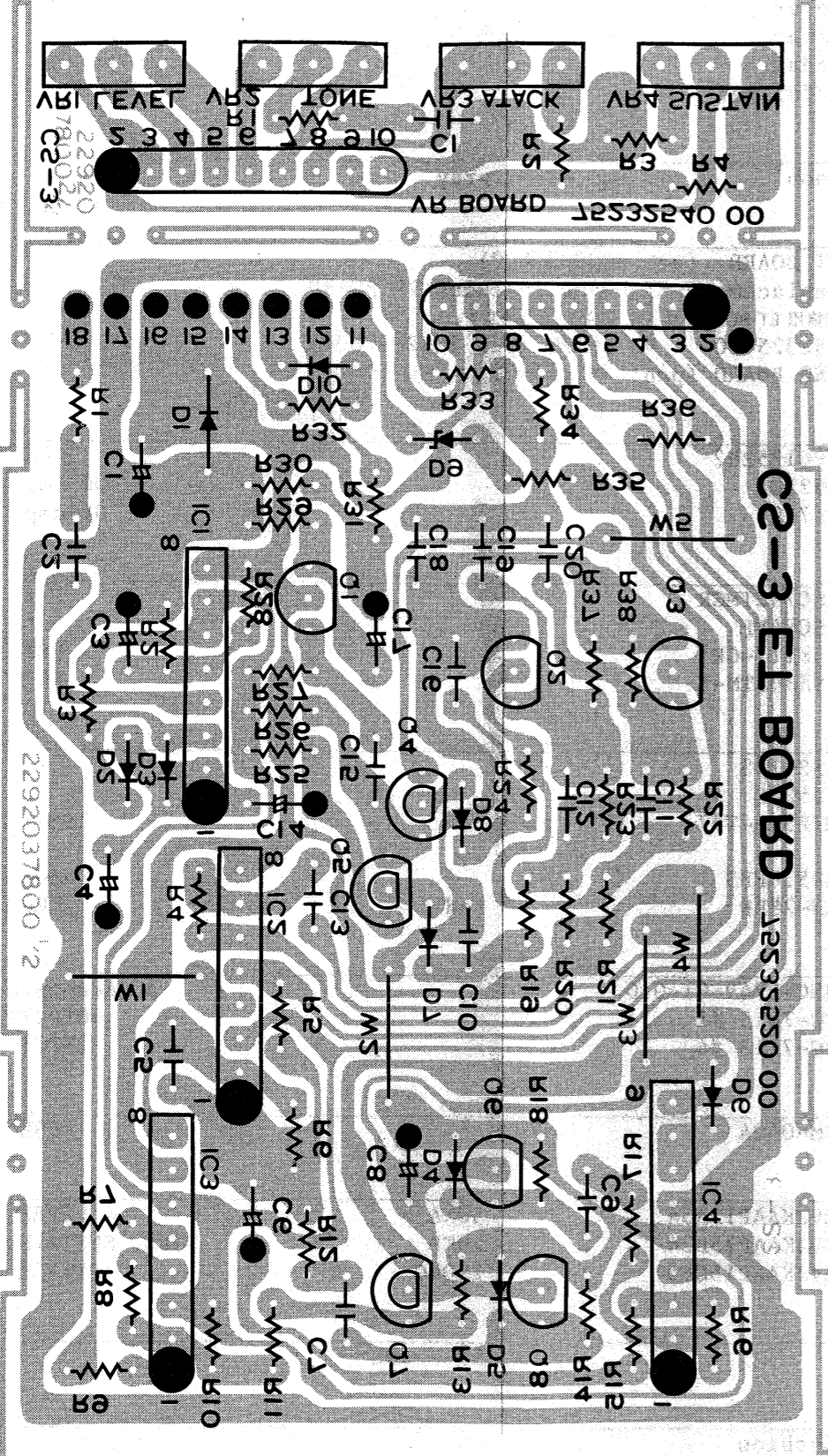
2347019800	9P	40L
------------	----	-----

MISCELLANEOUS

2226033300	Cushion
2217010900	Coil Spring
2341041400	Battery Snap
2215070201	Guide Bushing
2216052900	Plastic sheet (clear)
40125101	Thumb Screw

1 2 3 4 5 6 7 8 9 10 11 12 13 14 15 16 17 18 19 20 21 22 23 24 25 26 27 28 29 30 31 32 33 34 35 36 37 38 39

A B C D E F G H I J K L M N O P Q R S T U V W X Y Z



SOLDER SIDE 半田面

ET BOARD

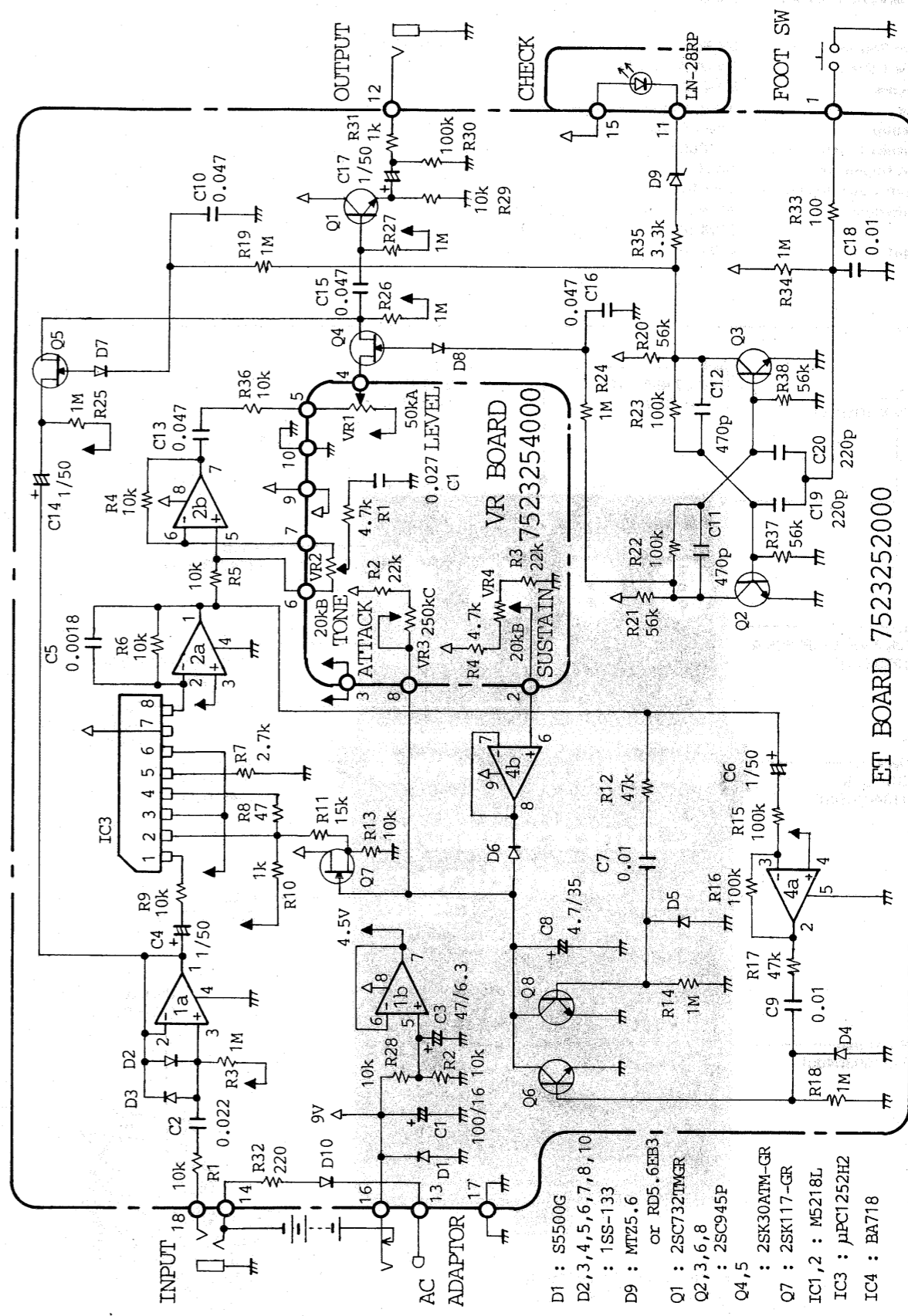
7523252000 (pcb 2292037800)

Replacement ET BOARD includes VR BOARD

補修用 ET BOARD は VR BOARD を含みます。

VR BOARD 7523254000 (pcb 2292037800)

CIRCUIT DIAGRAM



- D1 : S5500G
- D2,3,4,5,6,7,8,10 : 1SS-133
- D9 : MTZ5.6 or RD5.6EB3
- Q1 : 2SC732TMGR
- Q2,3,6,8 : 2SC945P
- Q4,5 : 2SK30ATM-GR
- Q7 : 2SK117-GR
- IC1,2 : M5218L
- IC3 : μPC1252HZ
- IC4 : BA718

ET BOARD 7523252000