

BOSS EH-50 SERVICE NOTES

STEREO ENHANCER

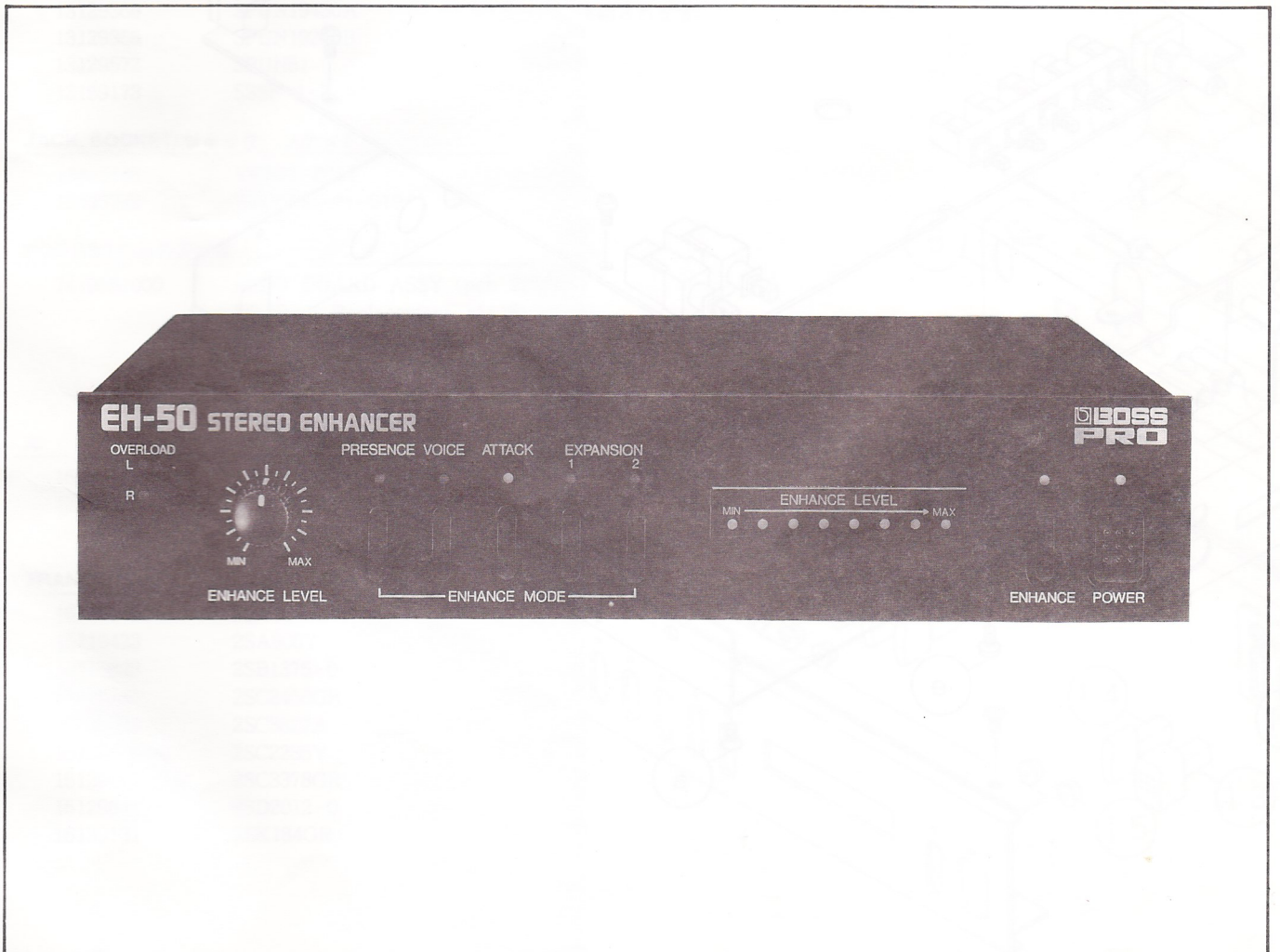
First Edition

TABLE OF CONTENTS

SPECIFICATIONS
 PANEL
 EXPLODED VIEW
 PARTS LIST
 CIRCUIT BOARD
 CIRCUIT DIAGRAM
 APPENDIX

目次

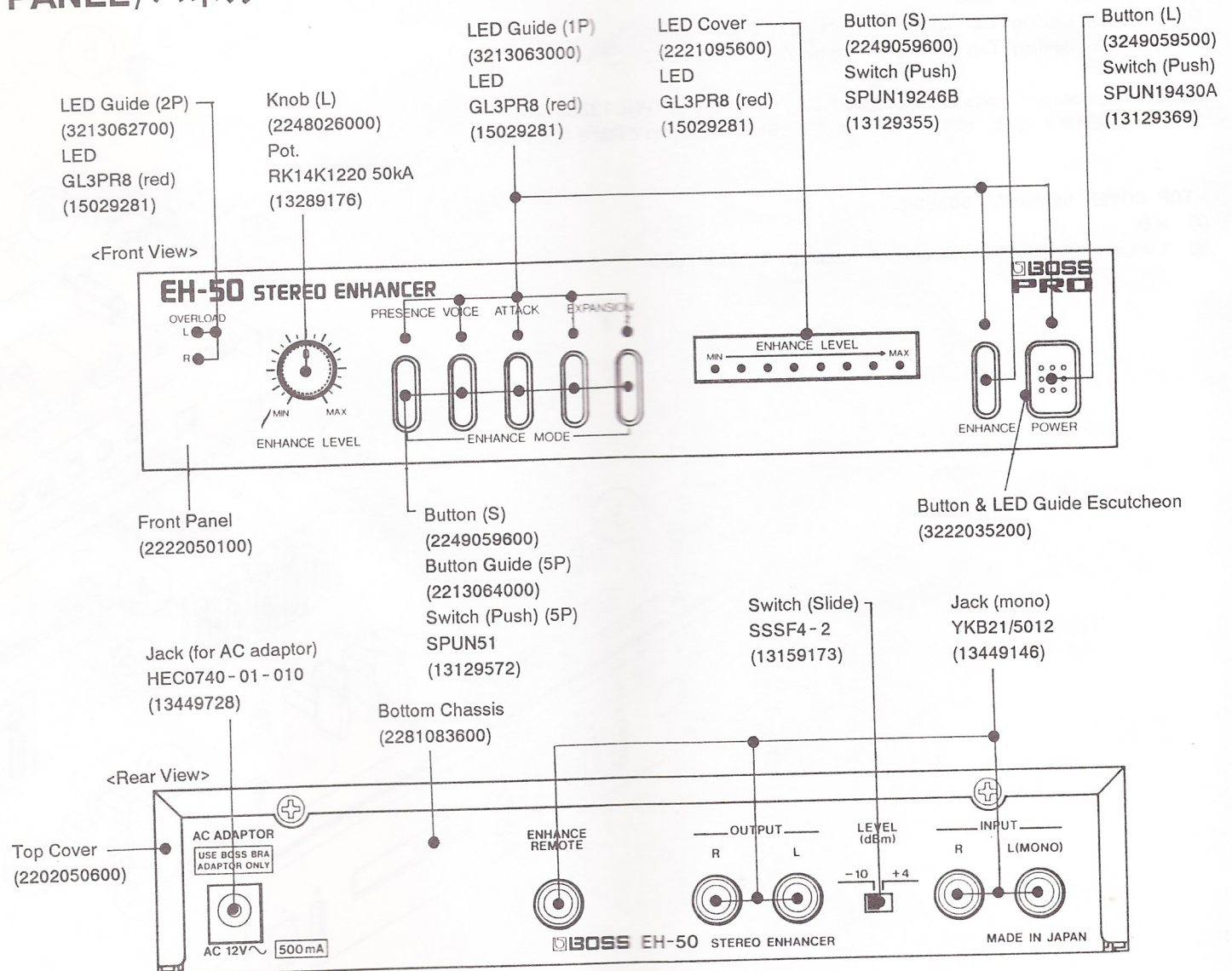
	Page
仕様	1
パネル	1
分解図	2
パーツリスト	3
基板図	4
回路図	5
付録	6



SPECIFICATIONS / 仕様

- Frequency Response / 周波数特性 (IN) 10Hz to 30kHz (+0/-3dB)
- Nominal Input Level / 規定入力レベル -10dBm/+4dBm (selectable with Level switch)
-10dBm/+4dBm (レベル・スイッチで切り換え)
- Input Impedance / 入力インピーダンス 1M Ω
- Nominal Output Level / 規定出力レベル -10dBm/+4dBm (selectable with Level switch)
-10dBm/+4dBm (レベル・スイッチで切り換え)
- Output Impedance / 出力インピーダンス 600 Ω
- Recommended Load Impedance / 推奨負荷インピーダンス 10k Ω or greater / 10k Ω 以上
- Residual Noise Level / 残留ノイズ・レベル -100dBm or less (IHF-A) / -100dBm 以下 (IHF-A)
(Enhance Level : center) / (エンハンス・レベル : 中央)
(Level switch : -10dBm) / (レベル・スイッチ : -10dBm)
0dBm = 0.775V_{rm}
- Power / 電源 AC 12V (BOSS BRA-100, 120, 220, 240A)
- Current Draw / 消費電流 500mA
- Dimensions / 外形寸法 218 (W) \times 235 (D) \times 44 (H) mm
8 - 5/8 (W) \times 9 - 5/16 (D) \times 1 - 3/4 (H) inches
- Weight / 重量 1.4kg / 3lb 2oz
- ACCESSORIES / 標準付属品 Rubber Foot : PNo.2235012000
AC Adaptor
BRA-100 (100V) : PNo.12449621
BRA-120 (117V) : PNo.12449622
BRA-220 (230V) : PNo.12449623
BRA-240 (240V) : PNo.12449625
Owner's Manual (Japanese) : PNo.2603038300
Owner's Manual (English) : PNo.2603038400

PANEL / パネル



EXPLODED VIWE / 分解図

No. - PARTS NAME -	- PARTS No. -
① Knob (L).....	2248026000
② Front Panel.....	2222050100
③ LED Guide (2P).....	3213062700
④ LED Cover.....	2221095600
⑤ Front Chassis.....	2281083500
⑥ LED Board 1 Assy.....	*****
⑦ LED Board 2 Assy.....	*****
⑧ Main Board Assy.....	7419851000
⑨ Top Cover.....	2202050600
⑩ Bottom Chassis.....	2281083600
⑪ Button & LED Guide Escutcheon.....	3222035200
⑫ Button Guide (5P).....	2213064000
⑬ Button (L).....	3249059500
⑭ Button (S).....	3249059600
⑮ LED Guide (1P).....	3213063000

NOTE : Replacement parts No.6 and No.7 are supplied as Main Board Assy (No.8).
 注 : 補修用部品 No.6, 7 は、Main Board Assy (No.8) に含まれて供給されます。

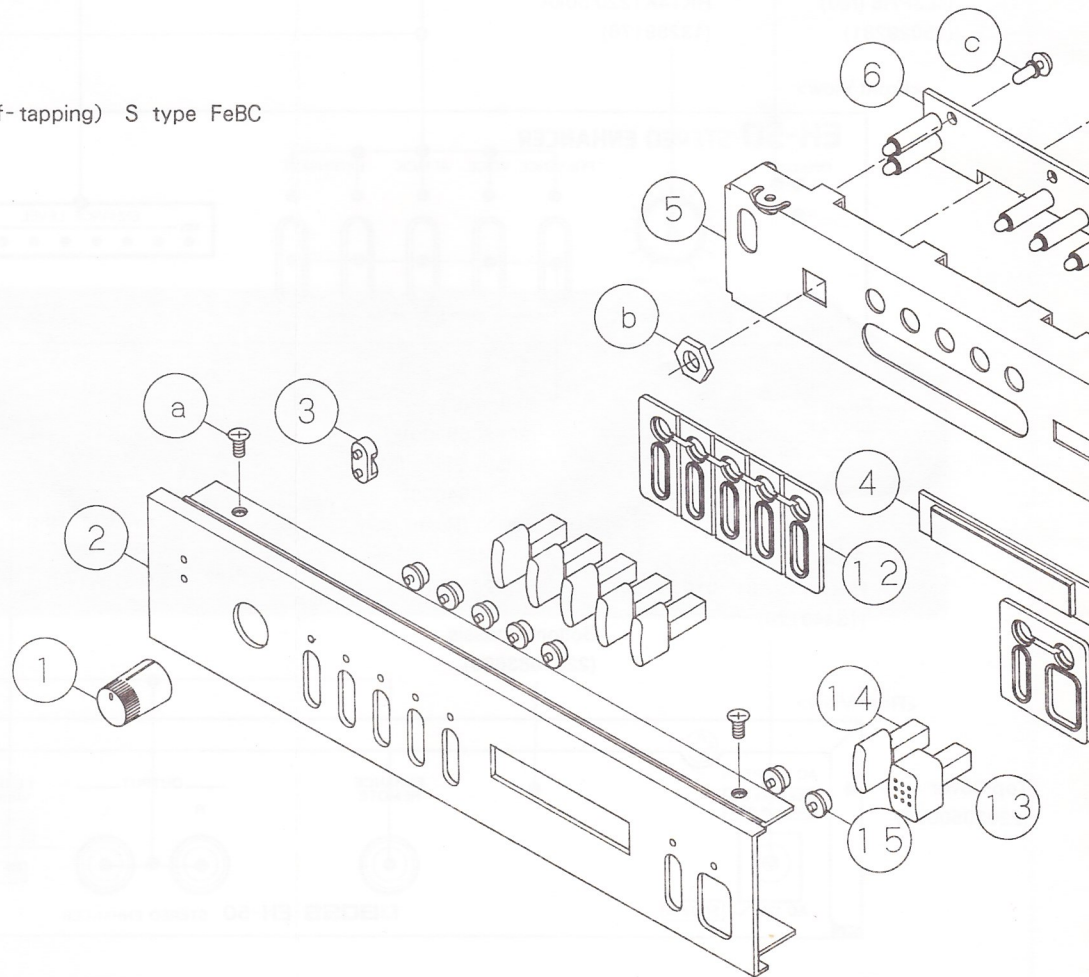
- SCREW -

- Ⓐ 3 × 6mm Flat Tap-tight (self-tapping) S type FeBC
- Ⓑ VR Nut
- Ⓒ Nylon Revet NRP-345
- Ⓓ 3 × 6mm Binding Tap-tight (self-tapping) S type FeCm
- Ⓔ 3 × 6mm Binding Tap-tight (self-tapping) S type FeBC

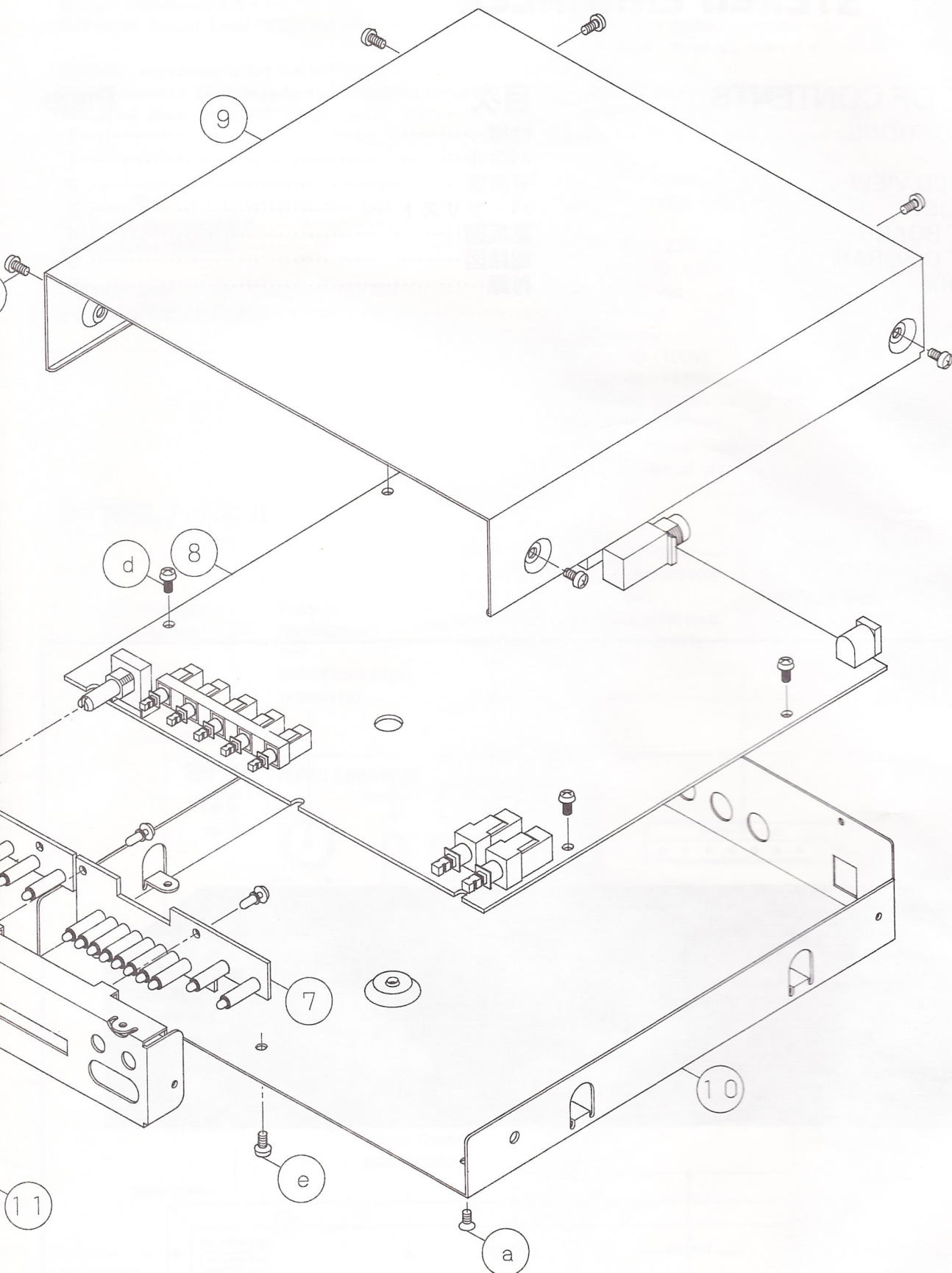
NOTE : Replacement parts Ⓓ is supplied as Potentiometer (PNo.13289176).
 注 : 補修用部品 Ⓓ は、ボリューム (PNo.13289176) に含まれて供給されます。

- TOP COVER REMOVAL SCREWS -

- Ⓐ × 6
- Ⓑ 3 × 6mm Binding Tap-tight (self-tapping) S type FeBC



21 22 23 24 25 26 27 28 29 30 31 32 33 34 35 36 37 38 39 40



15019124	1S188FM1-UB4
15039188	S5688G
15019125	1SS133
15019329	RD3.0ESB2
15019340	RD16ESB2
15019443	RD20ESB2
15029281	GL3PR8

POTENTIOMETER/ポリユーム

13289176	RK14K1220 50KA x 2
----------	--------------------

WIRING, CABLE/ワイヤリツク、ケーブル

2347040400	Flat Cable (9p)
2347040500	Flat Cable (11p)

SCREW/ネジ類

*****	3 x 6mm Binding
*****	Tap-tight (Self-Tapping) S type FeCm
*****	3 x 6mm Binding
*****	Tap-tight (Self-Tapping) S type FeBC
*****	3 x 6mm Flat
*****	Tap-tight (Self-Tapping) S type FeBC
*****	3 x 6mm Flat
*****	Tap-tight (Self-Tapping) S type FeBC
*****	Nylon Revet NRP-345

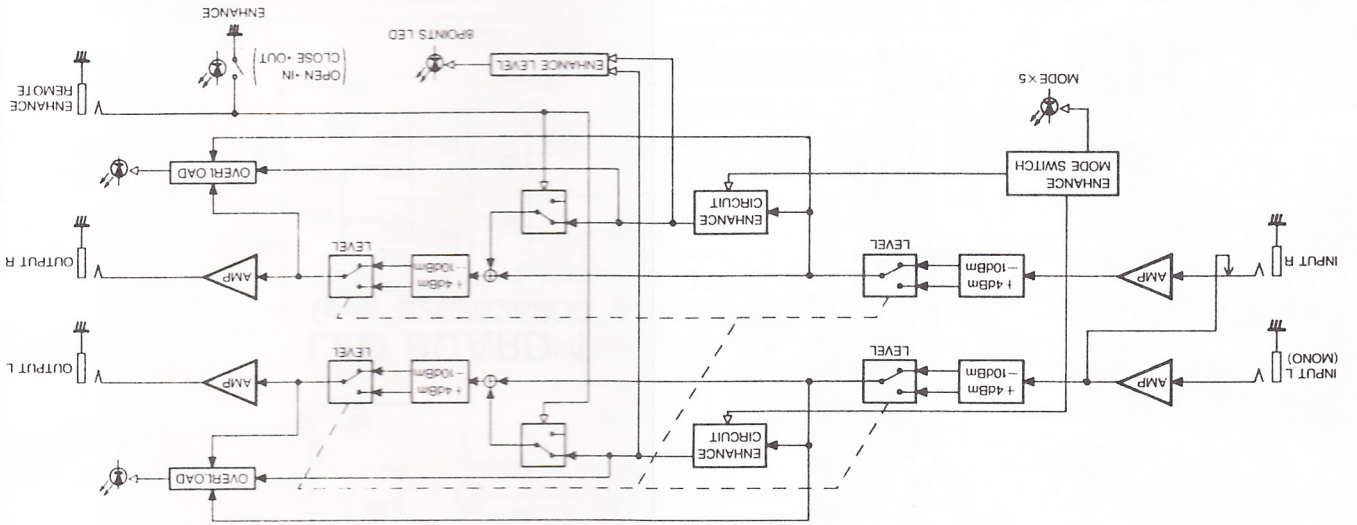
MISCELLANEOUS/その他

3213062700	LED Guide (2p)
3213063000	LED Guide (1p)

ACCESSORIES/標準付属品

2235012000	Rubber Foot
2603038300	Owner's Manual (Japanese)
2603038400	Owner's Manual (English)
12449621	BRA-100 AC Adaptor (100V)
12449622	BRA-120 AC Adaptor (120V)
12449623	BRA-220 AC Adaptor (220V)
12449625	BRA-240 AC Adaptor (240V)

BLOCK DIAGRAM / ブロック図

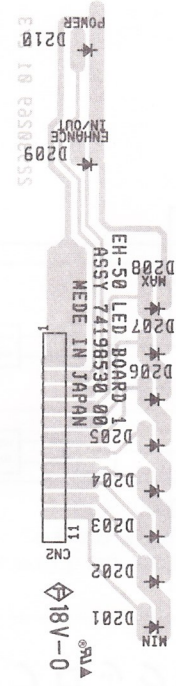
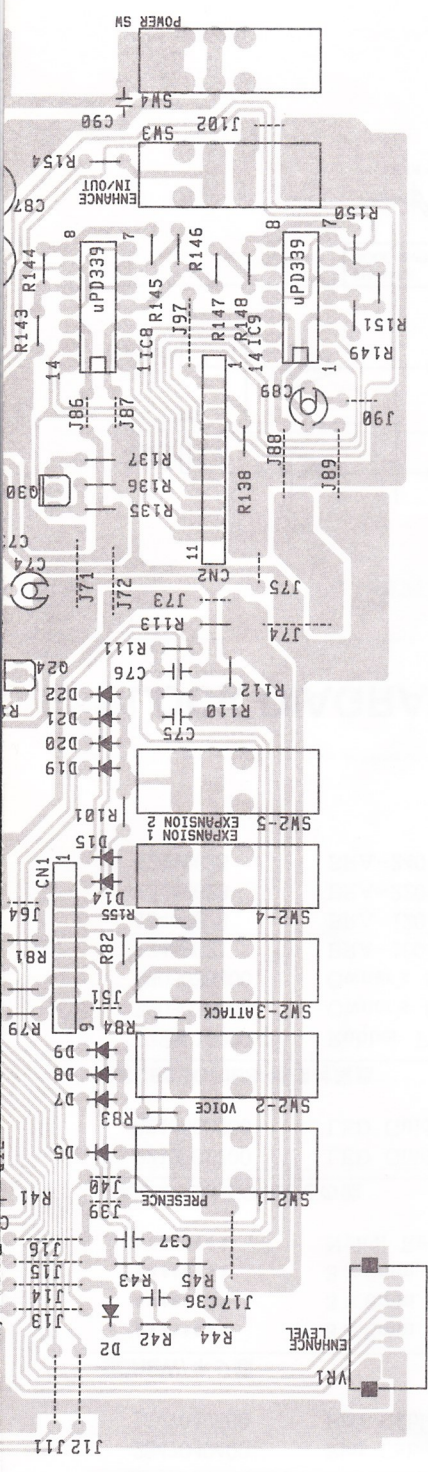


V U T S R O P N M L K J I H G F E D C B A

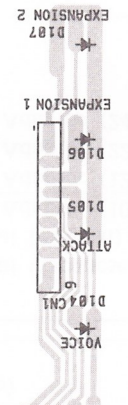
1 2 3 4 5 6 7 8 9 10 11 12 13 14 15 16 17 18 19 20

MAIN BOARD
 ASSY 7419851000
 (pcb 2293026900 1/3)

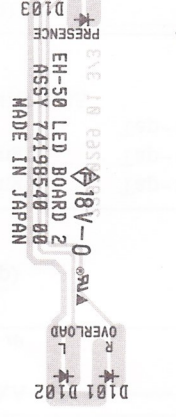
NOTE
 Replacement MAIN BOARD ASSY includes the following
 2 PCBs.
 補修用 MAIN BOARD ASSY は、下記の 2 基板を含みます。
 LED BOARD 1 Assy (pcb 2293026900 2/3)
 LED BOARD 2 Assy (pcb 2293026900 3/3)



LED BOARD 1
 (pcb 2293026900 2/3)



LED BOARD 2
 (pcb 2293026900 3/3)

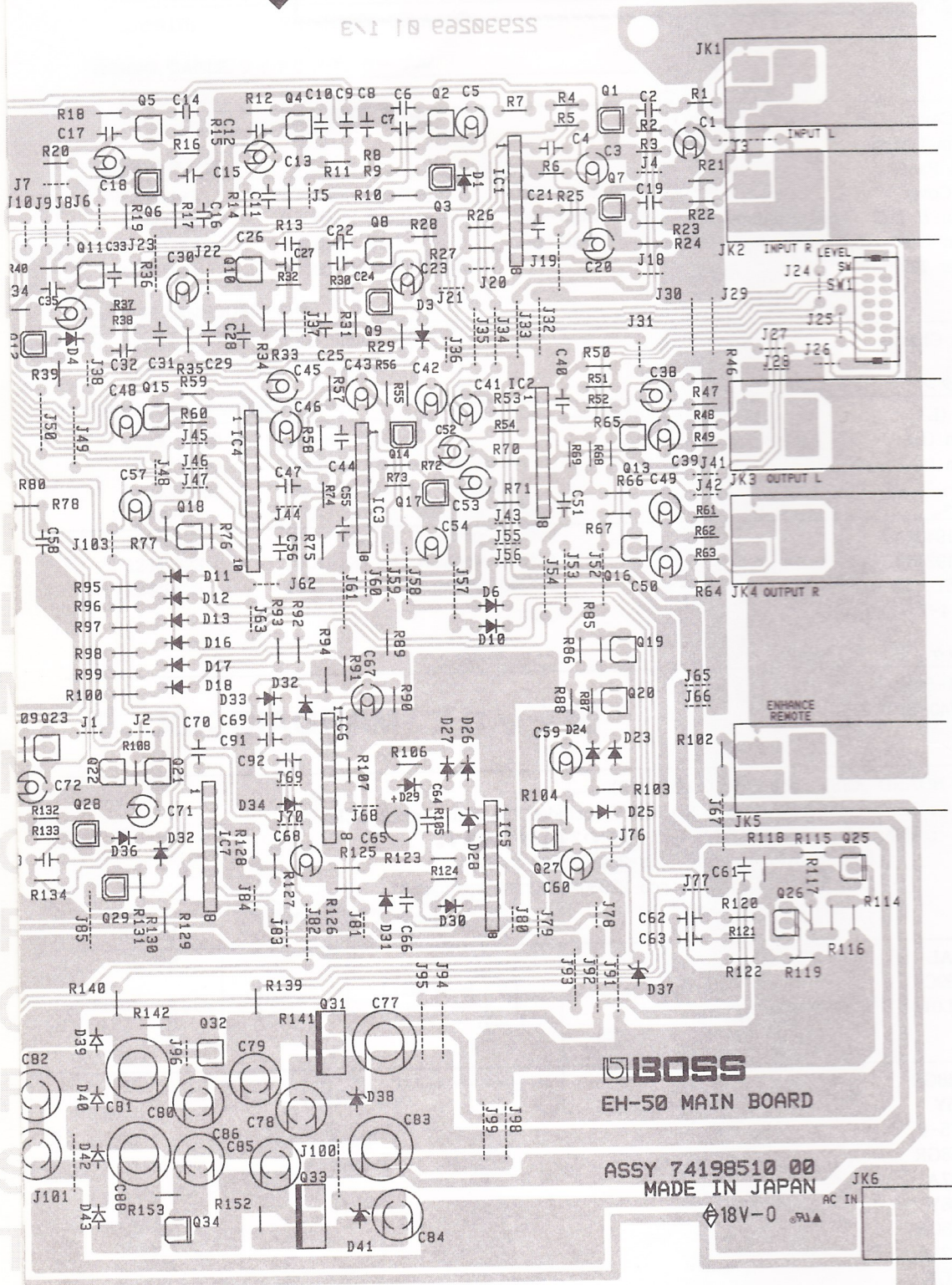


MAIN BOARD
 ASSY 7419851000
 (pcb 2293026900 1/3)

MAIN BOARD
(pcb 2293026900 1/3)

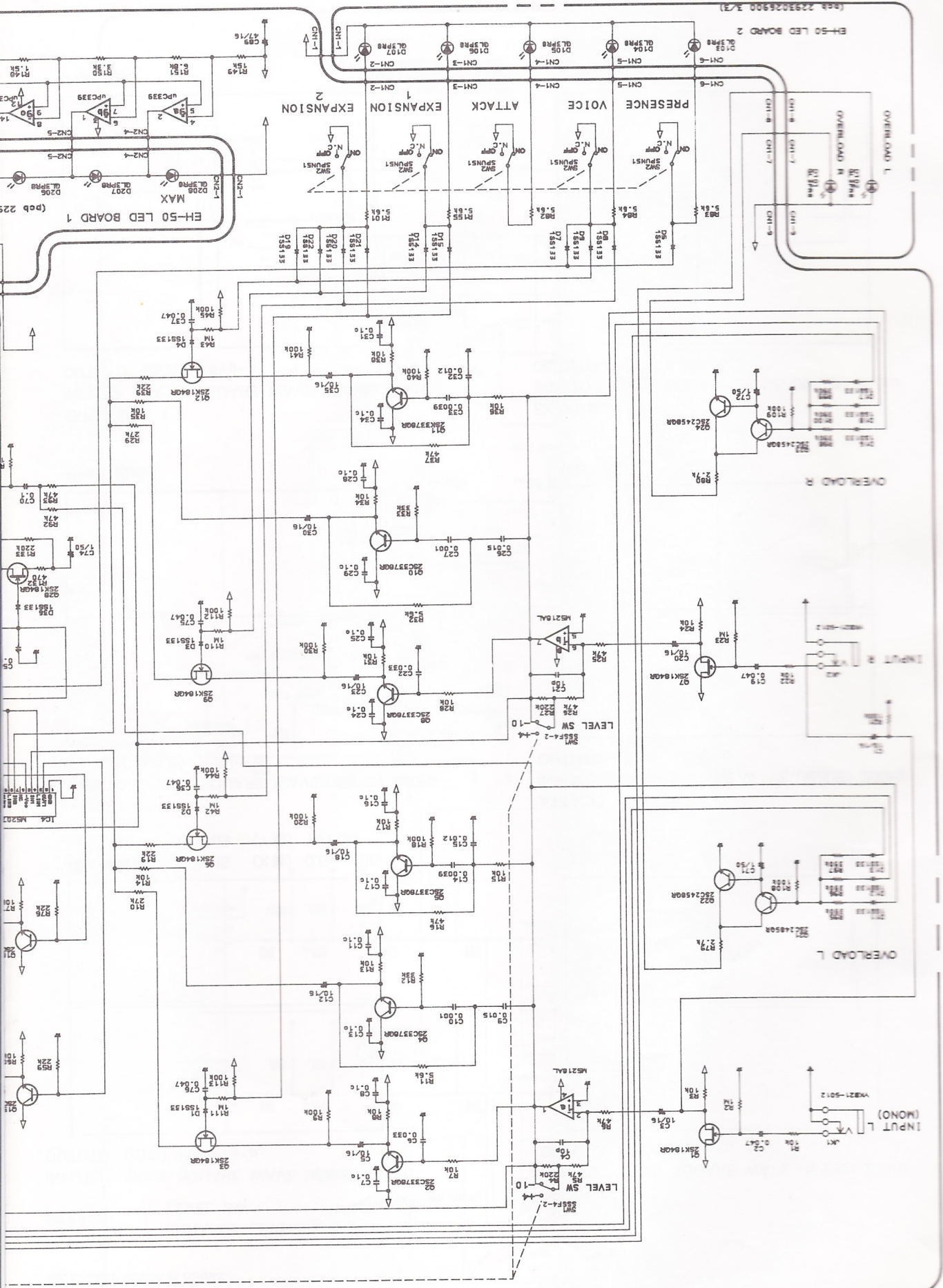


ESSA3302 EN1

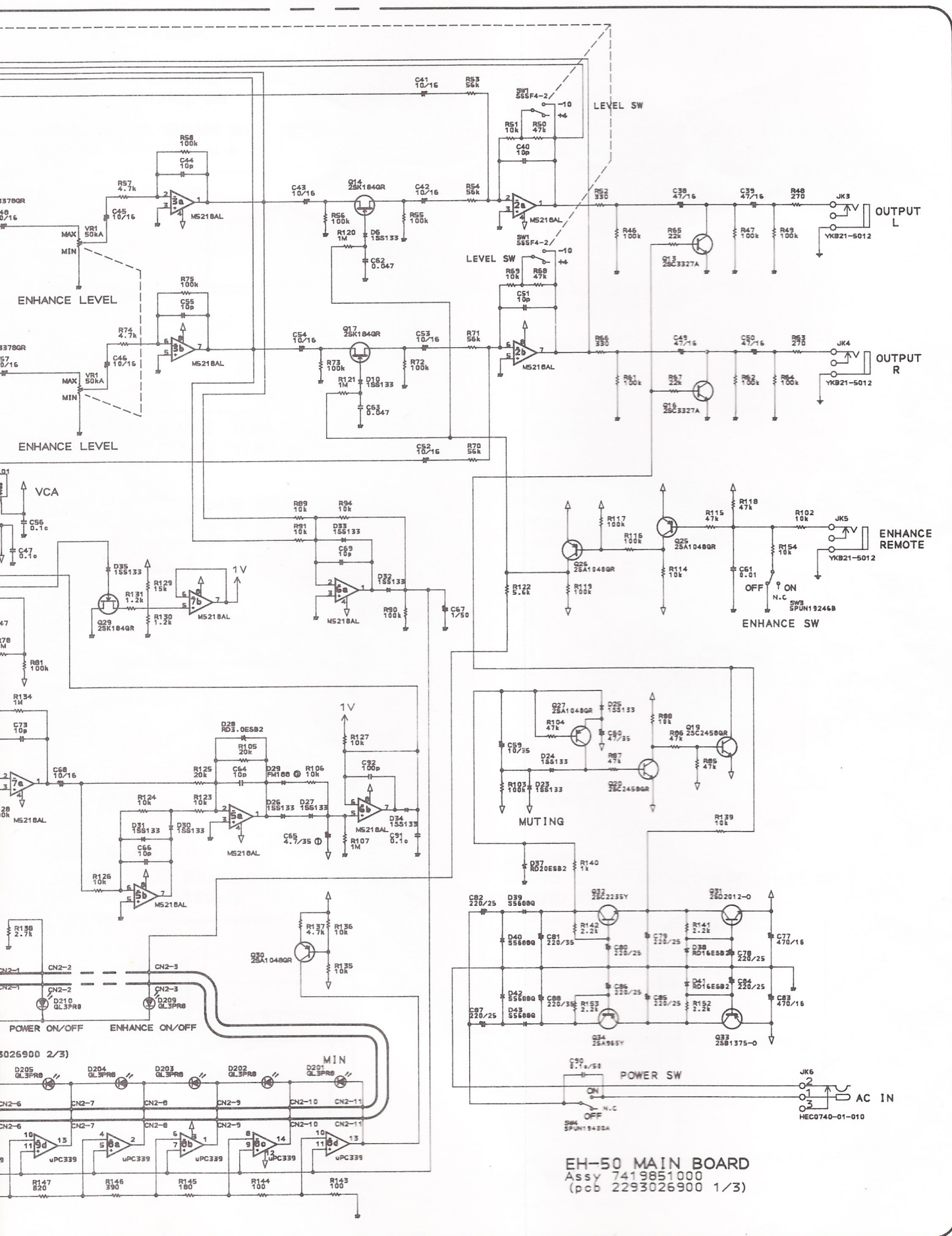


View from component side.

V C H S B O P O N M L K J I G T H D C B A



CIRCUIT DIAGRAM/回路图



EH-50 MAIN BOARD
 Assy 7419851000
 (pcb 2293026900 1/3)

APPENDIX

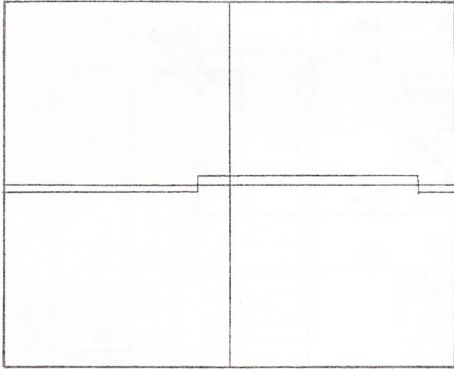
付録

After a waveform as shown in Fig. a has been input, when you press each enhancer mode button, verify that the waveform (Fig. b to e) correspond ing to each button is output.

Fig.aの波形を入力して、各エンハンサー・モード・ボタンを押した時、ボタンに対応した波形 (Fig.b~Fig.e) が出力されることを確認して下さい。

BYPASS (ENHANCE LEVEL : MAX
LEVEL SW : +4dBm)

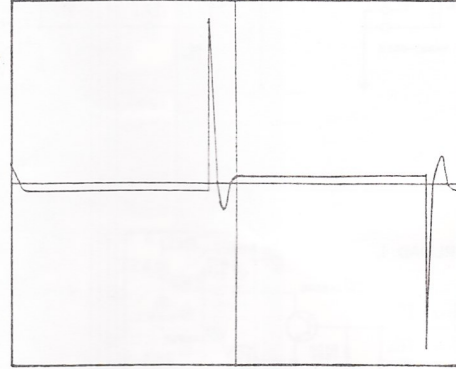
INPUTO (入力) SQUARE WAVE (矩形波) 200Hz
OUTUTO (出力) 300mVp-p



(Fig.a/図a) X-AXIS (X軸) 0.5ms/DIV
Y-AXIS (Y軸) 1V/DIV

PRESENCE

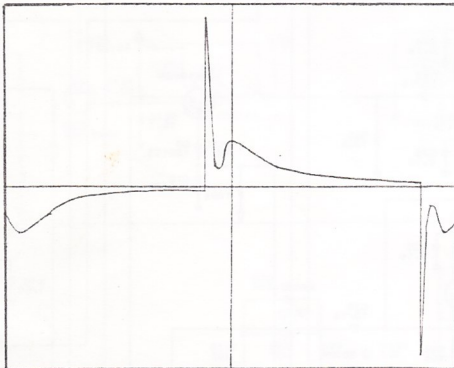
INPUTO (入力) SQUARE WAVE (矩形波) 200Hz
OUTUTO (出力) 7.2Vp-p



(Fig.b/図b)

VOICE

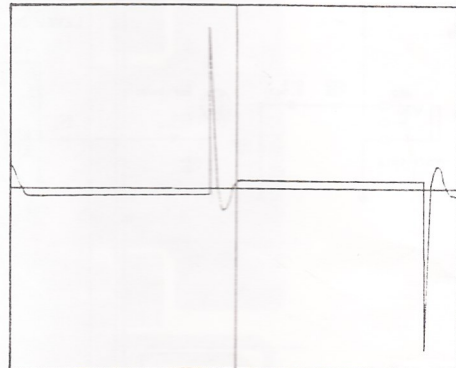
INPUTO (入力) SQUARE WAVE (矩形波) 200Hz
OUTUTO (出力) 7.3Vp-p



(Fig.c/図c)

ATTACK

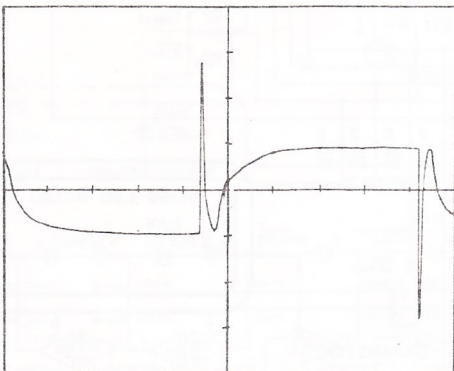
INPUTO (入力) SQUARE WAVE (矩形波) 200Hz
OUTUTO (出力) 7.0Vp-p



(Fig.d/図d)

EXPANSION I

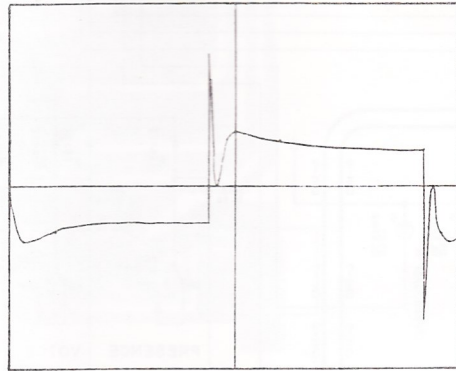
INPUTO (入力) SQUARE WAVE (矩形波) 200Hz
OUTUTO (出力) 5.6Vp-p



(Fig.e/図e)

EXPANSION II

INPUTO (入力) SQUARE WAVE (矩形波) 200Hz
OUTUTO (出力) 5.8Vp-p



(Fig.f/図f)