

# GT-8

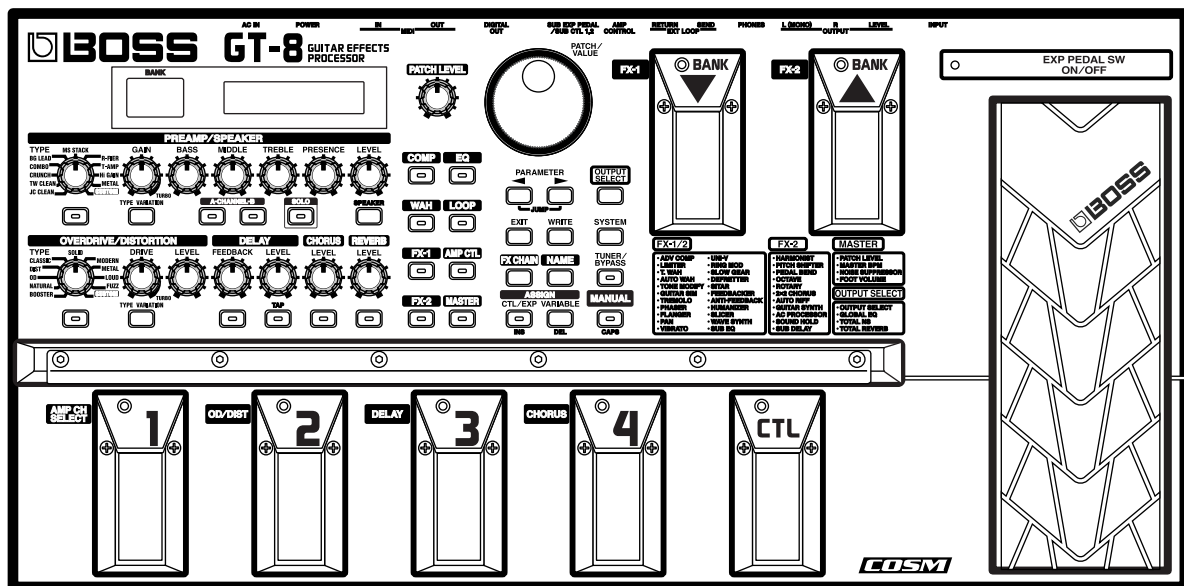
GUITAR EFFECTS  
PROCESSOR

# SERVICE NOTES

*Issued by RJA*

## TABLE OF CONTENTS

|                                       |    |  |    |
|---------------------------------------|----|--|----|
| CAUTIONARY NOTES.....                 | 2  | FACTORY RESET INSTRUCTIONS .....                 | 18 |
| SPECIFICATIONS.....                   | 2  | SYSTEM SOFTWARE UPDATING INSTRUCTIONS....        | 19 |
| LOCATION OF CONTROLS.....             | 4  | TEST MODE.....                                   | 19 |
| LOCATION OF CONTROLS PARTS LIST ..... | 6  | BLOCK DIAGRAM .....                              | 24 |
| EXPLODED VIEW .....                   | 8  | CIRCUIT BOARD (MAIN SHEET) .....                 | 26 |
| EXPLODED VIEW PARTS LIST .....        | 10 | CIRCUIT DIAGRAM (MAIN SHEET 1/3) (Power) .....   | 30 |
| WIRING DIAGRAM.....                   | 11 | CIRCUIT DIAGRAM (MAIN SHEET 2/3) (Jack) .....    | 32 |
| WIRING DIAGRAM PARTS LIST .....       | 11 | CIRCUIT DIAGRAM (MAIN SHEET 2/3) (Digital) ..... | 34 |
| PARTS LIST.....                       | 12 | CIRCUIT BOARD (SW SHEET).....                    | 36 |
| CHECKING THE VERSION NUMBER.....      | 17 | CIRCUIT DIAGRAM (SW SHEET) .....                 | 38 |
| USERS DATA SAVE AND LOAD.....         | 17 | ERROR MESSAGES.....                              | 40 |



Copyright © 2004 ROLAND CORPORATION

All rights reserved. No part of this publication may be reproduced in any form without the written permission of ROLAND CORPORATION.

## CAUTIONARY NOTES

### User data status

User data status after each of the following processes is described below. Whenever carrying out procedures that involve deleting or erasing user data, always be sure to back up the user data to some form of external media (refer to Saving and Loading Data).

| Process                 | User Data |
|-------------------------|-----------|
| Checking Version number | Preserved |
| Factory Reset           | Deleted   |
| System Update           | Preserved |
| Test Mode               | Preserved |

\* Executing Test Mode during Factory Reset deletes the user data.

### PARTS LIST

Due to one or more of the following reasons, parts with parts code \*\*\*\*\* cannot be supplied as service parts.

- Part supplied only as a component in a complete assembly
- Copyright does not permit the part to be supplied
- Part is sold commercially

### CIRCUIT BOARD

NIU meant that "NOT IN USE" there don't set any contents in the Circuit Diagram.

There has silk-screen only in the Circuit Board.

## SPECIFICATIONS

### GT-8: Guitar Effects Processor

#### AD Conversion

24 bit + AF method

#### DA Conversion

24 bit

#### Sampling Frequency

44.1 kHz

#### Program Memories

340: 140 (User) + 200 (Preset)

#### Nominal Input Level

INPUT: -10 dBu

RETURN: -10 dBu

#### Input Impedance

INPUT: 1 M $\Omega$

RETURN: 220  $\Omega$

#### Nominal Output Level

OUTPUT: 0 dBu

SEND: -10 dBu

#### Output Impedance

OUTPUT: 2 k $\Omega$

SEND: 2 k $\Omega$

#### Digital Output

EIAJ CP1201, S/P DIF

#### Dynamic Range

100 dB or greater (IHF-A)

#### Controls

< Front Panel >

PATCH LEVEL knob

(PREAMP/SPEAKER)

TYPE knob

GAIN knob

BASS knob

MIDDLE knob

TREBLE knob

PRESENCE knob

LEVEL knob

On/Off button

TYPE VARIATION button

CHANNEL button

SOLO button

SPEAKER button

(OVERDRIVE/DISTORTION)

TYPE knob

DRIVE knob

LEVEL knob

On/Off button

TYPE VARIATION button

(DELAY)

FEEDBACK knob

LEVEL knob

On/Off button

TAP button

(CHORUS)

LEVEL knob

On/Off button

(REVERB)

LEVEL knob

On/Off button

(COMP)

On/Off button

(EQ)

On/Off button

(WAH)

On/Off button

(LOOP)

On/Off button

(FX-1)

On/Off button

(AMP CTL)

On/Off button

(FX-2)

On/Off button

(MASTER)

MASTER button

PATCH/VALUE dial

PARAMETER buttons

OUTPUT SELECT button

EXIT button

WRITE button

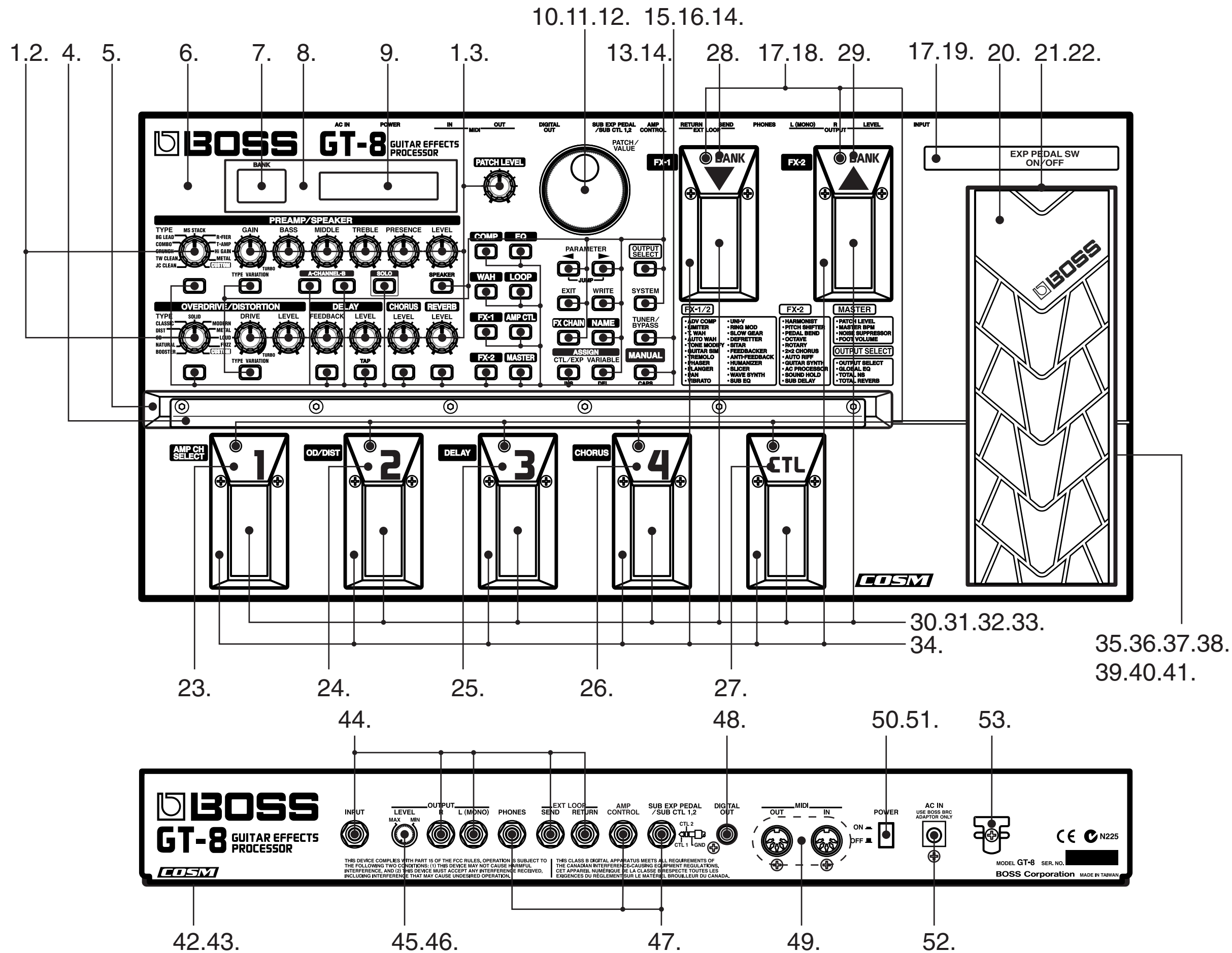
SYSTEM button

EFFECT CHAIN button

NAME button



# LOCATION OF CONTROLS

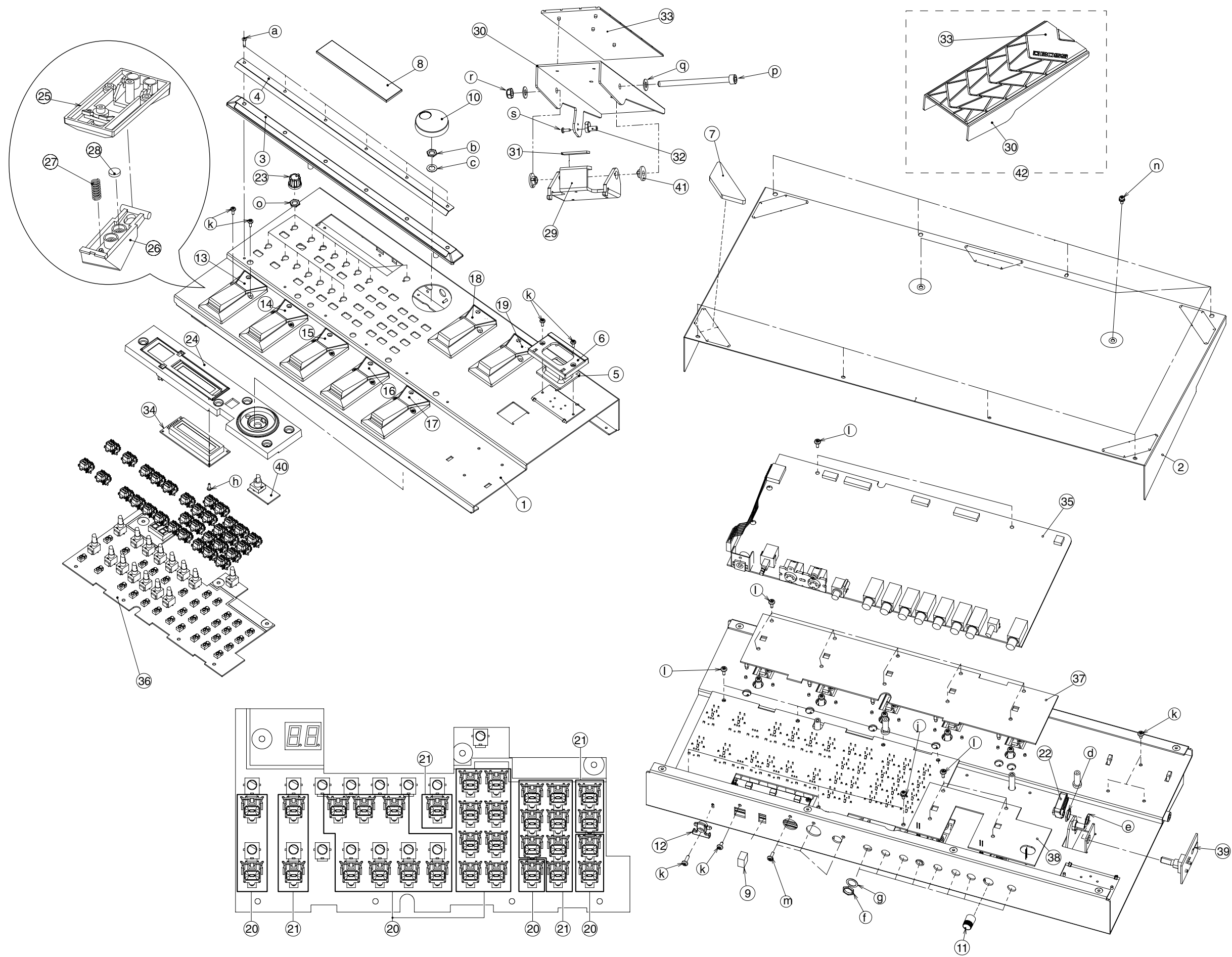


# LOCATION OF CONTROLS PARTS LIST

| No. | PART CODE  | CATEGORY          | PART NAME                    | DESCRIPTION                    | QTY |
|-----|------------|-------------------|------------------------------|--------------------------------|-----|
| 1   | G2477122   | KNOB,BUTTON       | R-KNOB                       |                                | 15  |
| 2   | F3279803   | POTENTIOMETER     | POTENTIOMETER 11 CLICKS 50KB | RD901-40-125F-B54-11D          | 2   |
| 3   | F3279802   | POTENTIOMETER     | POTENTIOMETER NO CLICK 50KB  | RD901-40-125F-B54-00D          | 13  |
| 4   | G2237113   | MISCELLANEOUS     | GUARD PLATE                  |                                | 1   |
| 5   | G2237112   | MISCELLANEOUS     | GUARD                        |                                | 1   |
| 6   | 75D912C000 | CASING            | TOP COVER                    |                                | 1   |
| 7   | F5029412   | DISPLAY UNIT      | 7SEG LED                     | A-552SR BW                     | 1   |
| 8   | G2567119   | MISCELLANEOUS     | DISPLAY COVER                |                                | 1   |
| 9   | F5029405   | DISPLAY UNIT      | LCD                          | LMC-SSC2K16DLNY-H01            | 1   |
| 10  | F2477101   | KNOB,BUTTON       | DR-KNOB                      |                                | 1   |
| 11  | 01905467   | ENCODER           | ROTARY ENCODER               | EVE GC1 F20 24B                | 1   |
| 12  | G2567118   | MISCELLANEOUS     | ESCUTCHEON                   |                                | 1   |
| 13  | G247751301 | KNOB,BUTTON       | VGA KEYPOT S WITHOUT LENS    |                                | 12  |
| 14  | F3129306   | SWITCH            | SWITCH                       | SKQKAB                         | 32  |
| 15  | G247751001 | KNOB,BUTTON       | VGA KEYPOT S BLACK WITH LENS |                                | 20  |
| 16  | F5029117   | DIODE             | LED                          | L-312LRD                       | 20  |
| 17  | 1502928100 | DIODE             | LED (RED)                    | L-34HDSL                       | 8   |
| 18  | H2369401   | MISCELLANEOUS     | SPACER 3X6X10                |                                | 7   |
| 19  | H2369431   | MISCELLANEOUS     | LED SPACER                   | 3-2                            | 1   |
| 20  | G2357112   | MISCELLANEOUS     | VR PLATE                     |                                | 1   |
| 21  | G2637107   | MISCELLANEOUS     | RUBBER SW                    |                                | 1   |
| 22  | G2567121   | MISCELLANEOUS     | RUBBER SW ESCUTCHEON         |                                | 1   |
| 23  | G2217138   | MISCELLANEOUS     | PEDAL LABEL(1)               |                                | 1   |
| 24  | G2217139   | MISCELLANEOUS     | PEDAL LABEL(2)               |                                | 1   |
| 25  | G2217140   | MISCELLANEOUS     | PEDAL LABEL(3)               |                                | 1   |
| 26  | G2217143   | MISCELLANEOUS     | PEDAL LABEL(4)               |                                | 1   |
| 27  | G2217144   | MISCELLANEOUS     | PEDAL LABEL(CTL)             |                                | 1   |
| 28  | G2217142   | MISCELLANEOUS     | PEDAL LABEL(DOWN)            |                                | 1   |
| 29  | G2217141   | MISCELLANEOUS     | PEDAL LABEL(UP)              |                                | 1   |
| 30  | G2187602   | CASING            | SWITCH PEDAL                 |                                | 7   |
| 31  | G2357109   | CASING            | PEDAL FOOT                   |                                | 7   |
| 32  | G2177103   | MISCELLANEOUS     | SUPPORT SPRING               |                                | 7   |
| 33  | 03344723   | SWITCH            | TACT SWITCH                  | SKQKAKD010                     | 7   |
| 34  | G2227301   | CASING            | PEDAL ESCUTCHEON             |                                | 7   |
| 35  | 75D9122S00 | CASING            | VR PEDAL UNIT                | INC. VR PLATE                  | 1   |
| 36  | G2187904   | MISCELLANEOUS     | PEDAL HOLDER                 |                                | 1   |
| 37  | F3279782   | POTENTIOMETER     | POTENTIOMETER                | RK11K1140(10K SPECIAL B-CURVE) | 1   |
| 38  | G2357111   | MISCELLANEOUS     | CUSHION R                    |                                | 1   |
| 39  | G1889117   | MISCELLANEOUS     | PIN STAY                     |                                | 1   |
| 40  | G2147806   | MISCELLANEOUS     | STAY                         |                                | 1   |
| 41  | G2147874   | MISCELLANEOUS     | BOLT HOLDER                  |                                | 2   |
| 42  | G2357120   | CASING            | FOOT                         | H=5                            | 5   |
| 43  | 75D912E000 | CASING            | BOTTOM COVER                 |                                | 1   |
| 44  | 13449155MF | JACK,EXT TERMINAL | PHONE JACK (MONO)            | HTJ-064-12I                    | 5   |
| 45  | 01340412   | KNOB,BUTTON       | P R-KNOB                     | SF-A BLK/LCG                   | 1   |
| 46  | F3229161   | POTENTIOMETER     | 9M/M ROTARY POT.             | RK09K12A0 (50KAX2)             | 1   |
| 47  | 13449150MF | JACK,EXT TERMINAL | JACK (STEREO)                | HTJ-064-12D                    | 3   |
| 48  | F3449121   | JACK,EXT TERMINAL | YKC21-3117                   | RCA (PIN) JACK                 | 1   |
| 49  | 13429825   | JACK,EXT TERMINAL | MIDI CONNECTOR               | YKF51-5054 2PZ                 | 1   |
| 50  | 12499175   | KNOB,BUTTON       | BUTTON                       | JSPUE001A                      | 1   |
| 51  | F3129307   | SWITCH            | PUSH SWITCH                  | SDKLA1-B                       | 1   |
| 52  | 13449728   | JACK,EXT TERMINAL | ADAPTOR JACK                 | HEC0740-010010                 | 1   |
| 53  | F2367103   | MISCELLANEOUS     | CORD HOOK                    |                                | 1   |



# EXPLODED VIEW



# EXPLODED VIEW PARTS LIST

## [Parts]

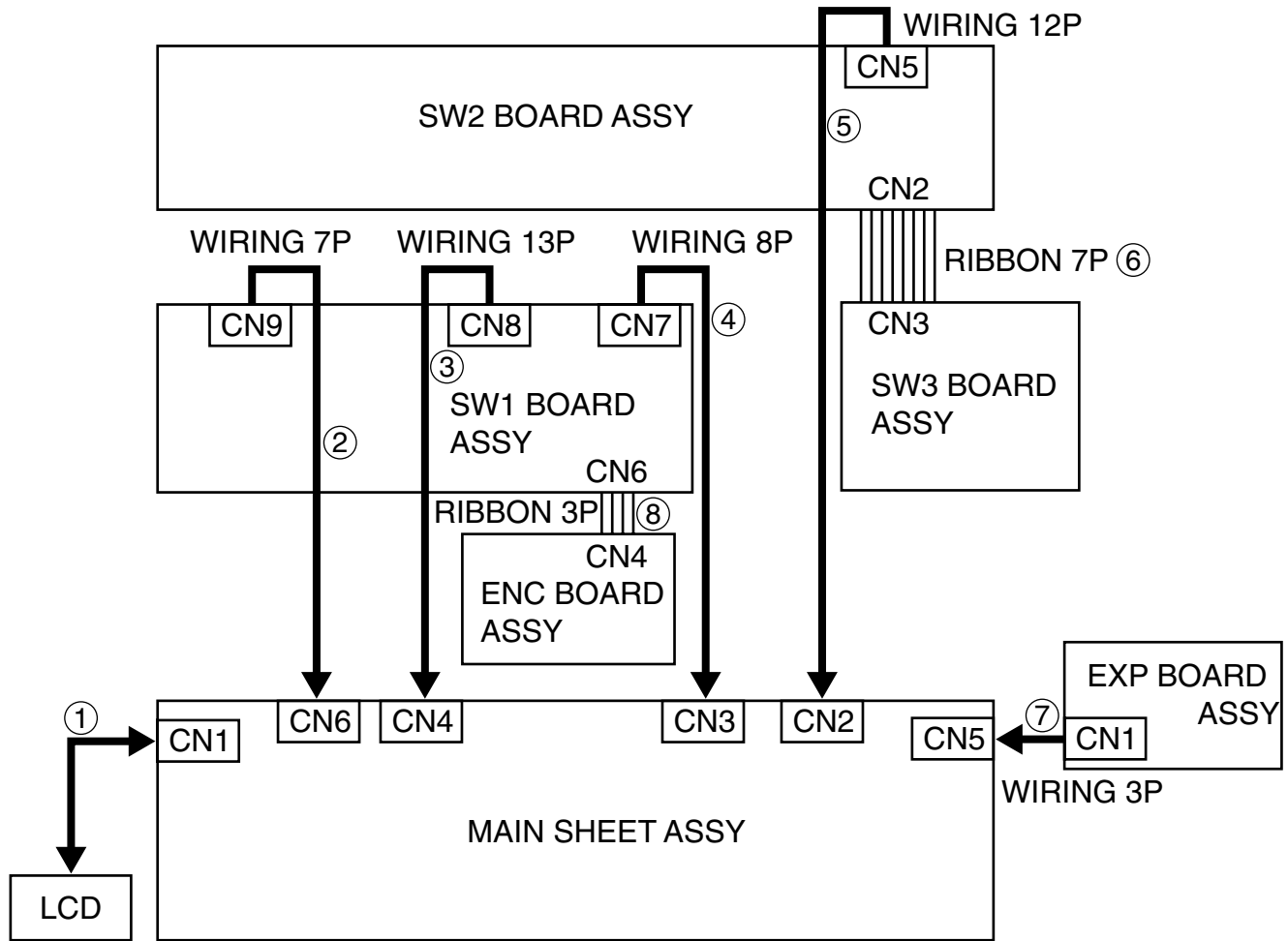
| No.   | PART CODE  | PART NAME                    | DESCRIPTION         | Q'TY |
|---|------------|------------------------------|---------------------|------|
| 1   | 75D912C000 | TOP COVER                    |                     | 1    |
| 2   | 75D912E000 | BOTTOM COVER                 |                     | 1    |
| 3   | G2237112   | GUARD                        |                     | 1    |
| 4   | G2237113   | GUARD PLATE                  |                     | 1    |
| 5   | G2637107   | RUBBER SW                    |                     | 1    |
| 6   | G2567121   | RUBBER SW ESCUTCHEON         |                     | 1    |
| 7   | G2357120   | FOOT                         | H=5                 | 5    |
| 8   | G2567119   | DISPLAY COVER                |                     | 1    |
| 9   | 12499175   | BUTTON                       | JSPUE001A           | 1    |
| 10  | F2477101   | DR-KNOB                      |                     | 1    |
| 11  | 01340412   | P R-KNOB                     | SF-A BLK/LCG        | 1    |
| 12  | F2367103   | CORD HOOK                    |                     | 1    |
| 13  | G2217138   | PEDAL LABEL(1)               |                     | 1    |
| 14  | G2217139   | PEDAL LABEL(2)               |                     | 1    |
| 15  | G2217140   | PEDAL LABEL(3)               |                     | 1    |
| 16  | G2217143   | PEDAL LABEL(4)               |                     | 1    |
| 17  | G2217144   | PEDAL LABEL(CTL)             |                     | 1    |
| 18  | G2217141   | PEDAL LABEL(UP)              |                     | 1    |
| 19  | G2217142   | PEDAL LABEL(DOWN)            |                     | 1    |
| 20  | G247751001 | VGA KEYPAD S BLACK WITH LENS |                     | 20   |
| 21  | G247751301 | VGA KEYPAD S WITHOUT LENS    |                     | 12   |
| 22  | G2147806   | STAY                         |                     | 1    |
| 23  | G2477122   | R-KNOB                       |                     | 15   |
| 24  | G2567118   | ESCUTCHEON                   |                     | 1    |
| 25  | G2227301   | PEDAL ESCUTCHEON             |                     | 7    |
| 26  | G2187602   | SWITCH PEDAL                 |                     | 7    |
| 27  | G2177103   | SUPPORT SPRING               |                     | 7    |
| 28  | G2357109   | PEDAL FOOT                   |                     | 7    |
| 29  | G2187904   | PEDAL HOLDER                 |                     | 1    |
| 31  | G2357111   | CUSHION R                    |                     | 1    |
| 32  | G1889117   | PIN STAY                     |                     | 1    |
| 34  | F5029405   | LCD                          | LMC-SSC2K16DLNY-H01 | 1    |
| 35  | 75D913M000 | MAIN SHEET ASSY              |                     | 1    |
| 36  | 75D913S000 | SW SHEET ASSY                |                     | 1    |
| 37  | 75D913S000 | SW SHEET ASSY                |                     | 1    |
| 38  | 75D913S000 | SW SHEET ASSY                |                     | 1    |
| 39  | 75D913S000 | SW SHEET ASSY                |                     | 1    |
| 40  | 75D913S000 | SW SHEET ASSY                |                     | 1    |
| 41  | G2147874   | BOLT HOLDER                  |                     | 2    |
| 42  | 75D9122S00 | VR PEDAL UNIT                | INC. VR PLATE       | 1    |
| NOTE: `VR PEDAL UNIT` includes the following parts. |            |                              |                     |      |
| 30  | *****      | VR PEDAL                     |                     | 1    |
| 33  | G2357112   | VR PLATE                     |                     | 1    |

## [Screw]

| No. | PART CODE | PART NAME                     | DESCRIPTION                   | Q'TY |
|-----|-----------|-------------------------------|-------------------------------|------|
| a   | H5029854  | BOLT M3X12                    | HEX BUTTON FENI               | 6    |
| b   | *****     | NUT M9 (with ENCODER)         |                               | 1    |
| c   | *****     | WASHER M9 (with ENCODER)      |                               | 1    |
| d   | *****     | NUT M9 (with POT.)            |                               | 1    |
| e   | *****     | WASHER M9 (with POT.)         |                               | 1    |
| f   | H5039510  | NUT M9X12X2 (with PHONE JACK) | FENI                          | 8    |
| g   | H5039112  | WASHER M9 (with PHONE JACK)   |                               | 8    |
| h   | H5029843  | SCREW 2.3X8                   | BINDING TAPTITE P ZC          | 1    |
| I   | H5019803  | SCREW 3X8                     | BINDING P-TIGHT FECM          | 20   |
| j   | H5019130  | SCREW M3X6                    | PAN MACHINE W/SW+PW ZC        | 5    |
| k   | H5029331  | SCREW 3X8                     | BINDING S-TIGHT FEBZC         | 21   |
| m   | H5029330  | SCREW M3X8                    | BINDING TAPTITE P BZC         | 3    |
| n   | H5019428  | SCREW M3X6                    | PAN MACHINE W/SW+SMALL PW BZC | 10   |
| o   | H5039520  | M9 NUT                        |                               | 15   |
| p   | H5030008  | HEX BOLT M6X85                | BZC                           | 1    |
| q   | H5039122  | PLAIN WASHER                  | 6X13X1 BZC                    | 2    |
| r   | H5039515  | NUT M6                        | U BZC                         | 1    |
| s   | H5019434  | SCREW M2.6X8                  | BINDING TAPTITE P BZC         | 1    |



# WIRING DIAGRAM



## WIRING DIAGRAM PARTS LIST

| NO | PART CODE | PART NAME    | DESCRIPTION          | Q'TY |
|----|-----------|--------------|----------------------|------|
| 1  | G3467180  | LCD WIRING   | 16P L=160MM          | 1    |
| 2  | G3467176  | WIRING       | 7P P=2MM L=115MM     | 1    |
| 3  | F3467039  | WIRING       | 13P P=2MM L=65MM     | 1    |
| 4  | G3467178  | WIRING       | 8P P=2MM L=65MM      | 1    |
| 5  | F3467038  | WIRING       | 12P P=2MM L=120MM    | 1    |
| 6  | G3477156  | RIBBON CABLE | 7P P=2MM L=140MM     | 1    |
| 7  | G3467175  | WIRING       | 3P P=2MM L=115MM     | 1    |
| 8  | G3477146  | RIBBON CABLE | 3P L=40X5X5 MM P=2MM | 1    |

# PARTS LIST

**SAFETY PRECAUTIONS:**  
The parts marked  $\Delta$  have safety-related characteristics. Use only listed parts for replacement.

Due to one or more of the following reasons, parts with parts code \*\*\*\*\* cannot be supplied as service parts.

- Part supplied only as a component in a complete assembly
- Copyright does not permit the part to be supplied
- Part is sold commercially

NOTE: The parts marked # are new. (initial parts) The description "Q'TY" means a necessary number of the parts per one product.

## CASING

|   |            |   |               |  |   |
|---|------------|---|---------------|--|---|
|   | G2357120   | FOOT  | H=5           |  | 5 |
| # | 75D912E000 | BOTTOM COVER  |               |  | 1 |
|   | G2227301   | PEDAL ESCUTCHEON                                    |               |  | 7 |
|   | G2357109   | PEDAL FOOT  |               |  | 7 |
|   | G2187602   | SWITCH PEDAL  |               |  | 7 |
| # | 75D912C000 | TOP COVER   |               |  | 1 |
|   | 75D9122S00 | VR PEDAL UNIT                                       | INC. VR PLATE |  | 1 |
|   |            | NOTE: `VR PEDAL UNIT` includes the following parts. |               |  |   |
| # | *****      | VR PEDAL  |               |  | 1 |
|   | G2357112   | VR PLATE  |               |  | 1 |

## KNOB,BUTTON

|  |            |                              |              |  |    |
|--|------------|------------------------------|--------------|--|----|
|  | 01340412   | P R-KNOB                     | SF-A BLK/LCG |  | 1  |
|  | 12499175   | BUTTON                       | JSPUE001A    |  | 1  |
|  | F2477101   | DR-KNOB                      |              |  | 1  |
|  | G2477122   | R-KNOB                       |              |  | 15 |
|  | G247751001 | VGA KEYPOT S BLACK WITH LENS |              |  | 20 |
|  | G247751301 | VGA KEYPOT S WITHOUT LENS    |              |  | 12 |

## SWITCH

|  |          |             |            |   |    |
|--|----------|-------------|------------|---|----|
|  | 03344723 | TACT SWITCH | SKQKAKD010 | SW1,SW2,SW3,SW4,SW5,SW6,SW7 on SW   | 7  |
|  | F3129306 | SWITCH      | SKQKAB     | SW8,SW9,SW10,SW11,SW12,SW13,SW14,S<br>W15,SW16,SW17,SW18,SW19,SW20,SW21,<br>SW22,SW23,SW24,SW25,SW26,SW27,SW28<br>,SW29,SW30,SW31,SW32,SW33,SW34,SW3<br>5,SW36,SW37,SW38,SW39 on SW | 32 |
|  | F3129307 | PUSH SWITCH | SDKLA1-B   | SW1 on MAIN   | 1  |

## JACK,EXT TERMINAL

|   |            |                   |                |                             |   |
|---|------------|-------------------|----------------|-----------------------------|---|
| # | 13429825   | MIDI CONNECTOR    | YKF51-5054 2PZ | JK7 on MAIN                 | 1 |
|   | F3449121   | YKC21-3117        | RCA (PIN) JACK | JK9 on MAIN                 | 1 |
|   | 13449155MF | PHONE JACK (MONO) | HTJ-064-12I    | JK1,JK3,JK4,JK5,JK6 on MAIN | 5 |
|   | 13449150MF | JACK (STEREO)     | HTJ-064-12D    | JK2,JK8,JK10 on MAIN        | 3 |
|   | 13449728   | ADAPTOR JACK      | HEC0740-010010 | JK11 on MAIN                | 1 |

## DISPLAY UNIT

|  |          |                     |          |             |   |
|--|----------|---------------------|----------|-------------|---|
|  | F5029405 | LMC-SSC2K16DLNY-H01 | LCD      |             | 1 |
|  | F5029412 | A-552SR BW          | 7SEG LED | LED31 on SW | 1 |

## PWB ASSY

|   |            |                 |  |  |   |
|---|------------|-----------------|--|--|---|
| # | 75D913M000 | MAIN SHEET ASSY |  |  | 1 |
| # | 75D913S000 | SW SHEET ASSY   |  |  | 1 |

## IC

|   |          |                            |                         |                   |   |
|---|----------|----------------------------|-------------------------|-------------------|---|
|   | F5199520 | S-812C33AY-Z-G             | REGULATOR               | IC31 on MAIN      | 1 |
|   | F5199108 | NJM2374AM-TE1              | IC(SWITCHING REGULATOR) | IC32 on MAIN      | 1 |
| # | 03785378 | UPD442012AGY-BB85X-MJH     | IC (SRAM)               | IC19 on MAIN      | 1 |
|   | 15289123 | M51953AFP-600C             | IC (RESET)              | IC34 on MAIN      | 1 |
| # | F5199109 | BA17805FP                  | IC (REGULATOR)          | IC30 on MAIN      | 1 |
| # | 03785134 | TLP172A                    | IC (PHOTO RELAY)        | IC37 on MAIN      | 1 |
| # | F5229704 | PC400T                     | IC (PHOTO COUPLER)      | IC16 on MAIN      | 1 |
|   | F5289102 | NJM2100M 8P SOP            | IC (OP.AMP)             | IC2,IC8 on MAIN   | 2 |
| # | F5189105 | TC75S51F                   | IC (OP AMP)             | IC23 on MAIN      | 1 |
| # | F5289104 | M5238FP                    | IC (JFET OP AMP)        | IC1 on MAIN       | 1 |
| # | *****    | BM29LV800BA-70PFTN-SFKE1   | IC (FLASH MEMORY/BLANK) | IC25 on MAIN      | 1 |
|   | 02231767 | RA0A-101 (TC223C080AF-101) | IC (DSP)                | IC21,IC20 on MAIN | 2 |
|   | 03347056 | LC32V4265CT-25-TLM-E       | IC (DRAM)               | IC24 on MAIN      | 1 |
| # | 03784256 | CS8406-CZ.ZR               | IC (DIF/TRANSMITTER)    | IC27 on MAIN      | 1 |

| IC         |            |                             |                     |  |    |
|------------|------------|-----------------------------|---------------------|--|----|
| #          | F5249101   | HD74HC4051P                 | IC (CMOS)           | IC4,IC6  | 2  |
| #          | F5249134   | TC74HC08AF                  | IC (CMOS)           | IC26 on MAIN   | 1  |
| #          | F5279720   | TC74VHC138F                 | IC (CMOS)           | IC13 on MAIN   | 1  |
| #          | F5249128   | TC74VHC574FT(EL)            | IC (CMOS)           | IC11,IC14 on MAIN  | 2  |
| #          | F5249129   | TC74VHCT574AF               | IC (CMOS)           | IC12,IC15 on MAIN  | 2  |
| #          | F5279311   | TC7SH04F                    | IC (CMOS)           | IC28 on MAIN   | 1  |
| #          | F5249135   | TC7SH04FU                   | IC (CMOS)           | IC35,IC39 on MAIN  | 2  |
| #          | F5279315   | TC7SH32FU                   | IC (CMOS)           | IC33,IC36 on MAIN  | 2  |
| #          | F5279307   | TC7W04F                     | IC (CMOS)           | IC18 on MAIN   | 1  |
| #          | F5289106   | M5216FP                     | IC (BIPOLAR OP AMP) | IC6 on MAIN  | 1  |
|            | 15189261   | M5218AFP-600E               | IC (BIPOLAR OP AMP) | IC7,IC5 on MAIN  | 2  |
|            | 02451434   | AK4552VT                    | IC (AD/DA)          | IC3,IC9 on MAIN  | 2  |
|            | 03342312   | HD6412312SVF                | IC (16BIT CPU)      | IC22 on MAIN   | 1  |
|            | 02678945   | BU2090                      | IC                  | IC1,IC2,IC3,IC5  | 4  |
| TRANSISTOR |            |                             |                     |  |    |
|            | G3467176   | 7P P=2MM L=115MM            | WIRING              | CN9 on SW  | 1  |
|            | F5309115   | 2SA1241-Y                   | TRANSISTOR          | Q10 on MAIN  | 1  |
|            | 15309104   | 2SA1586-GR(TE85R)           | TRANSISTOR          | Q6,Q5 on MAIN  | 2  |
|            | F5309602   | 2SB1182                     | TRANSISTOR          | Q12 on MAIN  | 1  |
|            | 15319107   | 2SC4116-GR(TE85R)           | TRANSISTOR          | Q8 on MAIN   | 1  |
| #          | F5129405   | 2SC4738GR                   | TRANSISTOR          | Q9 on MAIN   | 1  |
|            | F5319602   | 2SD1758                     | TRANSISTOR          | Q11 on MAIN  | 1  |
|            | F5329529   | RN1441                      | TRANSISTOR          | Q1,Q2,Q3,Q4,Q7,Q13,Q14,Q15 on MAIN   | 8  |
| DIODE      |            |                             |                     |  |    |
|            | F5339318   | RD13ESAB2                   | ZENER DIODE         | D12,D11 on MAIN  | 2  |
|            | 15019126   | 1SS133 T-77                 | SWITCHING DIODE     | D1,D2,D3,D4,D5,D6,D7,D8,D9,D10,D11,D12,D13,D14,D15,D16,D17,D18,D19,D20,D21,D22,D23,D24,D25,D26,D27,D28,D29,D30,D31,D32,D33,D34,D35,D36,D37,D38,D39 on SW | 39 |
|            | 1502928100 | L-34HDSL                    | LED (RED)           | LED1,LED2,LED3,LED4,LED5,LED6,LED7,LED8  | 8  |
|            | F5029117   | L-312LRD                    | LED                 | LED10,LED11,LED12,LED13,LED14,LED15,LED16,LED18,LED19,LED20,LED21,LED22,LED23,LED24,LED25,LED26,LED27,LED28,LED29,LED30                                  | 20 |
|            | F5019203   | 1N4004                      | DIODE               | D7,D8,D10,D13 on MAIN  | 4  |
|            | 15339119   | 1SS-352                     | DIODE               | D1,D2,D3,D4,D6,D14 on MAIN   | 6  |
|            | 15339120   | 1SS302                      | DIODE               | DA4,DA5 on MAIN  | 2  |
|            | 02783023   | RB500V-40                   | DIODE               | D5 on MAIN   | 1  |
|            | F5339137   | SS14 VF=0.45V               | DIODE               | D9 on MAIN   | 1  |
| RESISTOR   |            |                             |                     |  |    |
|            | F5419707   | CRN34101J                   | RESISTOR ARRAY      | RA3,RA4,RA6,RA9,RA15,RA18 on MAIN  | 6  |
|            | F5419705   | CRN34103J                   | RESISTOR ARRAY      | RA1,RA2,RA7,RA14,RA17,RA21,RA22,RA26 on MAIN   | 8  |
|            | F5419706   | CRN34104J                   | RESISTOR ARRAY      | RA5,RA8 on MAIN  | 2  |
| #          | F5399909   | 0.68 (1/2W) RL2010JR-070R68 | RESISTOR            | R122 (1.00 ~ 1.99Lot),R120 (2.00Lot ~)   | 1  |
|            | F5399127   | 1.2K J                      | RESISTOR            | R43,R1 on MAIN   | 2  |
|            | F5399912   | 1.8K (F-RANK)               | RESISTOR            | R125 on MAIN   | 1  |
| #          | F5429395   | 10 (0805SIZE 1/10W)         | RESISTOR            | R118,R126,R129 on MAIN   | 3  |
|            | F5399115   | 100 J                       | RESISTOR            | R73,R86 on MAIN  | 2  |
| #          | F5399916   | 100K (F-RANK)               | RESISTOR            | R5,R48 on MAIN   | 2  |
| #          | F5399918   | 12K (F-RANK)                | RESISTOR            | R4,R8,R47,R55 on MAIN  | 4  |
|            | F5399150   | 18K J                       | RESISTOR            | R46,R3 on MAIN   | 2  |
|            | F5399919   | 1M(F-RANK)                  | RESISTOR            | R90 on MAIN  | 1  |
|            | F5399917   | 22 (1/2W)                   | RESISTOR            | R77 on MAIN  | 1  |
|            | F5399111   | 22 J                        | RESISTOR            | R79 on MAIN  | 1  |
|            | F5399913   | 3K (F-RANK)                 | RESISTOR            | R124 on MAIN   | 1  |
|            | F5399133   | 4.7K J                      | RESISTOR            | R78,R81,R95,R96,R100,R101,R102 on MAIN   | 7  |
|            | F5399920   | 4.7M(F-RANK)                | RESISTOR            | R91 on MAIN  | 1  |
|            | F5399119   | 470J                        | RESISTOR            | R69,R115 on MAIN   | 1  |
|            | F5399195   | 470K J                      | RESISTOR            | R44,R94 on MAIN  | 2  |
|            | F5399158   | 47K J                       | RESISTOR            | R18,R21,R29,R32,R37,R38,R39,R114,R117 on MAIN  | 9  |
|            | F5399914   | 6.8KF                       | RESISTOR            | R9,R58 on MAIN   | 2  |
|            | F5399116   | 82K J                       | RESISTOR            | R71 on MAIN  | 1  |
|            | F5399166   | 82K J                       | RESISTOR            | R27,R16 on MAIN  | 2  |
| #          | F5399139   | 1.8K                        | MTL.FLM RESISTOR    | R128 on MAIN   | 1  |
| #          | F5399120   | 150                         | MTL.FLM RESISTOR    | R111 on MAIN   | 1  |
|            | F5399129   | 1.5K J                      | MTL.FILM RESISTOR   | R119,R127 on MAIN  | 2  |
|            | F5399104   | 10 J                        | MTL.FILM RESISTOR   | R10,R59,R93 on MAIN  | 3  |
|            | F5399170   | 100K J                      | MTL.FILM RESISTOR   | R24,R35,R63,R64,R85,R116 on MAIN   | 6  |
|            | F5399140   | 10K J                       | MTL.FILM RESISTOR   | R2,R6,R12,R14,R17,R20,R25,R28,R31,R36,R41,R42,R45,R49,R52,R53,R57,R66,R72,R76,R82,R83,R87,R88,R89,R134,R141,R142,R148,R149,R153,R154,R155,R156 on MAIN   | 34 |

| <b>RESISTOR</b>             |            |                               |                              |  |    |
|-----------------------------|------------|-------------------------------|------------------------------|--|----|
|                             | F5399128   | 1K J                          | MTL.FILM RESISTOR            | R22,R23,R33,R34,R60,R61,R80,R84,R110,R121,R160,R161,R162 on MAIN   | 13 |
|                             | F5399200   | 1M J                          | MTL.FILM RESISTOR            | R7 on MAIN   | 1  |
|                             | F5399130   | 2.2K J                        | MTL.FILM RESISTOR            | R70,R123 on MAIN   | 2  |
|                             | F5399190   | 220K J                        | MTL.FILM RESISTOR            | R50 on MAIN  | 1  |
|                             | F5399118   | 330                           | MTL.FILM RESISTOR            | R26,R40,R75 on MAIN  | 3  |
|                             | F5399107   | 75                            | MTL.FILM RESISTOR            | R113 on MAIN   | 1  |
|                             | F5429374   | 33K OHM F RANK (1%)           | CHIP RESISTOR (1608 TYPE)    | R56,R62 on MAIN  | 2  |
|                             | F5429375   | 47K OHM F RANK (1%)           | CHIP RESISTOR                | R54,R65 on MAIN  | 2  |
|                             | F3829254   | 470HM(2W)                     | CARBON RESISTOR              | R13,R15 on MAIN  | 2  |
| #                           | 13749787   | 390 (1/6W)                    | CARBON RESISTER              | R1,R2,R3,R4,R5,R6,R7,R8,R10,R11,R12,R13,R14,R15,R16,R18,R19,R20,R21,R22,R23,R24,R25,R26,R27,R28,R29,R30  | 28 |
| #                           | 13749789   | 470 (1/6W)                    | CARBON RESISTER              | R31,R32,R33,R34,R35,R36,R37,R38,R39,R40,R41,R42,R43,R44 on SW  | 14 |
| <b>POTENTIOMETER</b>        |            |                               |                              |  |    |
|                             | F3279802   | RD901-40-125F-B54-00D         | POTENTIOMETER NO CLICK 50KB  | VR3,VR4,VR5,VR6,VR7,VR8,VR9,VR11,VR12,VR13,VR14,VR15,VR16 on SW  | 13 |
|                             | F3279803   | RD901-40-125F-B54-11D         | POTENTIOMETER 11 CLICKS 50KB | VR2,VR10 on SW   | 2  |
|                             | F3279782   | RK11K1140(10K SPECIAL B-CURVE | POTENTIOMETER                | VR1 on SW  | 1  |
| #                           | F3229161   | RK09K12A0 (50KAX2)            | 9M/M ROTARY POT.             | VR1 on MAIN  | 1  |
| <b>CAPACITOR</b>            |            |                               |                              |  |    |
|                             | F3587451   | ERZVA7V330                    | VARISTOR CAPACITOR           | C157 on MAIN   | 1  |
| #                           | 13649101   | 1/50                          | NON POLAR CHEMICAL CAPACITOR | C200, C201 on MAIN   | 2  |
|                             | 02341489   | ECPU1C474MA5                  | MYLAR CAPACITOR(SUBMICRON)   | C5 on MAIN   | 1  |
|                             | 13519694   | RPE132-901F104Z50             | MLT.LAY.CERAMIC CAPACITOR    | C1,C2,C3,C4,C5,C7 on SW  | 6  |
|                             | F5359732   | GRM39B102J50PT                | CHIP CAPACITOR (1608 TYPE)   | C21,C33,C55,C67,C130 on MAIN   | 5  |
|                             | F5359780   | GRM39B103K50PT                | CHIP CAPACITOR (1608 TYPE)   | C1,C46,C134,C135,C187,C188 on MAIN   | 6  |
|                             | F5359373   | GRM39CH271J50PT               | CHIP CAPACITOR (1608 TYPE)   | C197 on MAIN   | 1  |
|                             | F5359725   | ECJ1VC1H151J 150P J           | CHIP CAPACITOR               | C32,C43,C161 on MAIN   | 3  |
| #                           | F3629275   | 0.33UF/50V                    | CHEMICAL CAPACITOR           | C189 on MAIN   | 1  |
|                             | 13629550KM | 100/16V                       | CHEMICAL CAPACITOR           | C17,C29,C41,C164,C165,C167,C169 on MAIN  | 7  |
|                             | F3629680   | 47/16V                        | CHEMICAL CAPACITOR           | C4,C18,C25,C26,C27,C36,C38,C39,C49,C51,C53,C58,C146,C153 on MAIN   | 14 |
| #                           | F3639555   | 470/6.3                       | CHEMICAL CAPACITOR           | C45,C160 on MAIN   | 2  |
|                             | F535970601 | 10P                           | CERAMIC CAPACITOR            | C3,C7,C23,C24,C34,C35,C48,C52,C54,C68,C172 on MAIN   | 11 |
|                             | F5359707   | 15P                           | CERAMIC CAPACITOR            | C125,C123 on MAIN  | 2  |
| #                           | F5359801   | ECJ1VF1E104Z 0.1Z             | CERAMIC CAPACITOR            | C9,C10,C11,C13,C16,C19,C20,C22,C31,C57,C61,C63,C66,C69,C70,C71,C72,C74,C75,C76,C77,C79,C80,C83,C84,C85,C86,C87,C88,C89,C90,C91,C93,C94,C95,C96,C97,C98,C99,C100,C101,C102,C103,C104,C105,C106,C107,C108,C109,C110,C111,C112,C113,C114,C115,C116,C117,C120,C121,C122,C124,C126,C127,C128,C132,C133,C136,C138,C139,C140,C143,C144,C145,C147,C150,C151,C154,C155,C163,C168,C185,C186,C190,C191,C198 on MAIN | 85 |
|                             | 13639195   | 2200/35                       | CAPACITOR (ELECTROLYTIC)     | C158 on MAIN   | 1  |
|                             | F3629678TS | 10/16V                        | CAPACITOR                    | C12,C14,C15,C28,C37,C40,C44,C50,C59,C60,C62,C64,C65,C81,C82,C92,C118,C119,C129,C131,C137,C141,C142 on MAIN   | 23 |
|                             | F3639637   | 470UF/35V                     | CAPACITOR                    | C149,C162,C166 on MAIN   | 3  |
| <b>INDUCTOR,COIL,FILTER</b> |            |                               |                              |  |    |
|                             | F2449220   | TSL1112SRA-471KR72            | INDUCTOR                     | L17 on MAIN  | 1  |
|                             | F5409102   | N1608Z601T02                  | FERRITE-BEAD                 | L10,L11 on MAIN  | 2  |
|                             | 13529246   | DSS310-91D223S-50ATL12-134    | EMI FILTER                   | FL1,FL2 on MAIN  | 2  |
|                             | 12449386   | SBT-0180W                     | EMI FILTER                   | L15 on MAIN  | 1  |
| <b>CRYSTAL,RESONATOR</b>    |            |                               |                              |  |    |
|                             | 00891801   | MA-406 24.000MHZ TE24         | CRYSTAL                      | X2 on MAIN   | 1  |
|                             | 02672401   | SG-8002JC 67.7376MHZ PC       | CRYSTAL                      | X1 on MAIN   | 1  |
| <b>ENCODER</b>              |            |                               |                              |  |    |
|                             | 01905467   | EVE GC1 F20 24B               | ROTARY ENCODER               | EN1 on SW  | 1  |
| <b>CONNECTOR</b>            |            |                               |                              |  |    |
|                             | F3439123   | A2001WR2-3P                   | CONNECTOR 3P                 | CN5 on MAIN  | 1  |
|                             | F3439121   | A2541WR2-2A16NP               | CONNECTOR 16P                | CN1 on MAIN  | 1  |
| #                           | F3439231   | A2001WR2-12P                  | CONNECTOR 12P                | CN2 on MAIN  | 1  |
| #                           | F3439232   | A2001WR2-13P                  | CONNECTOR 13P                | CN4 on MAIN  | 1  |
|                             | F3439179   | A2001WR2-7P                   | CONNECTOR 7P                 | CN6 on MAIN  | 1  |

| CONNECTOR              |          |                          |                               |   |     |
|------------------------|----------|--------------------------|-------------------------------|---|-----|
|                        | F3439164 | A2001WR2-8P              | CONNECTOR 8P                  | CN3 on MAIN                                 | 1   |
| WIRING, CABLE          |          |                          |                               |   |     |
| #                      | F3467038 | WIRING                   | 12P P=2MM L=120MM             | CN5 on SW                                   | 1   |
| #                      | F3467039 | WIRING                   | 13P P=2MM L=65MM              | CN8 on SW                                   | 1   |
|                        | G3467178 | WIRING                   | 8P P=2MM L=65MM               | CN7 on SW                                   | 1   |
|                        | G3477156 | RIBBON CABLE             | 7P P=2MM L=140MM              | CN3,CN2 on SW                               | 1   |
|                        | G3467175 | WIRING                   | 3P P=2MM L=115MM              | CN1 on SW                                   | 1   |
|                        | G3477146 | RIBBON CABLE             | 3P L=40X5X5 MM P=2MM          | CN4,CN6 on SW                               | 1   |
|                        | G3467180 | LCD WIRING               | 16P L=160MM                   |   | 1   |
|                        | G3467176 | WIRING                   | 7P P=2MM L=115MM              | CN9 on SW,CN6 on MAIN                       | 1   |
| TRANSFORMER            |          |                          |                               |   |     |
|                        | 02563501 | PT-10 (2280-T008)        | PULSE TRANS                   | TR1 on MAIN                                 | 1   |
| SCREWS                 |          |                          |                               |   |     |
|                        | H5039515 | NUT M6                   | U BZC                         |   | 1   |
| #                      | H5019428 | SCREW M3X6               | PAN MACHINE W/SW+SMALL PW BZC |   | 10  |
|                        | H5019130 | SCREW M3X6               | PAN MACHINE W/SW+PW ZC        |   | 5   |
|                        | H5029854 | BOLT M3X12               | HEX BUTTON FENI               |   | 6   |
|                        | H5039510 | NUT M9X12X2              | FENI                          | for Phone Jack                              | 8   |
| #                      | H5030008 | HEX BOLT M6X85           | BZC                           |   | 1   |
| #                      | H5029843 | SCREW 2.3X8              | BINDING TAPTITE P ZC          |   | 1   |
| #                      | H5019434 | SCREW M2.6X8             | BINDING TAPTITE P BZC         |   | 1   |
|                        | H5029330 | SCREW M3X8               | BINDING TAPTITE P BZC         |   | 3   |
|                        | H5029331 | SCREW 3X8                | BINDING S-TIGHT FEBZC         |   | 21  |
|                        | H5019803 | SCREW 3X8                | BINDING P-TIGHT FECM          |   | 20  |
|                        | H5039122 | PLAIN WASHER             | 6X13X1 BZC                    |   | 2   |
|                        | 40016523 | INSULOK TIE 100M/M T-18R | ((1000 PCS ORDERING PER))     |   | 2   |
|                        | H5039520 | M9 NUT                   |                               | for VR                                      | 15  |
|                        | H5039112 | WASHER M9                |                               | for Phone Jack                              | 8   |
| PACKING                |          |                          |                               |   |     |
| #                      | G2607117 | COLOR SLEEVE             |                               |   | 1   |
| #                      | G2617305 | OUTER PACKING CASE       |                               |   | 0.5 |
| #                      | G2607116 | PACKING CASE             |                               |   | 1   |
|                        | G2237620 | PAD L                    |                               |   | 1   |
|                        | G2237616 | PAD R                    |                               |   | 1   |
| MISCELLANEOUS          |          |                          |                               |   |     |
| #                      | △        | F2569105                 | CR2032 220MAH/3V              | LITHIUM BATTERY                             | 1   |
|                        |          | 02567267                 | BATRY HOLDER                  | BCR20H4                                     | 1   |
|                        |          | H2369431                 | LED SPACER                    | 3-2   | 1   |
|                        |          | G2147118                 | AC JACK HOLDER                | LED8 on SW                                  | 1   |
| #                      |          | G2147874                 | BOLT HOLDER                   | on MAIN                                     | 2   |
|                        |          | F2367103                 | CORD HOOK                     |   | 1   |
|                        |          | G2357111                 | CUSHION R                     |   | 1   |
|                        |          | G2567119                 | DISPLAY COVER                 |   | 1   |
|                        |          | G2567118                 | ESCUTCHEON                    |   | 1   |
|                        |          | G2237112                 | GUARD                         |   | 1   |
|                        |          | G2237113                 | GUARD PLATE                   |   | 1   |
|                        |          | G2257203                 | JACK COVER                    | on MAIN                                     | 1   |
|                        |          | G2187904                 | PEDAL HOLDER                  |   | 1   |
|                        |          | G2217138                 | PEDAL LABEL(1)                |   | 1   |
|                        |          | G2217139                 | PEDAL LABEL(2)                |   | 1   |
|                        |          | G2217140                 | PEDAL LABEL(3)                |   | 1   |
|                        |          | G2217143                 | PEDAL LABEL(4)                |   | 1   |
|                        |          | G2217144                 | PEDAL LABEL(CTL)              |   | 1   |
|                        |          | G2217142                 | PEDAL LABEL(DOWN)             |   | 1   |
|                        |          | G2217141                 | PEDAL LABEL(UP)               |   | 1   |
| #                      |          | G1889117                 | PIN STAY                      |   | 1   |
| #                      |          | G2637107                 | RUBBER SW                     |   | 1   |
|                        |          | G2567121                 | RUBBER SW ESCUTCHEON          |   | 1   |
|                        |          | H2369401                 | SPACER 3X6X10                 | LED1,LED2,LED3,LED4,LED5,LED6,LED7<br>on SW | 7   |
|                        |          | G2147806                 | STAY                          |   | 1   |
|                        |          | G2177103                 | SUPPORT SPRING                |   | 7   |
| ACCESSORIES (Standard) |          |                          |                               |   |     |
|                        | △        | G2457142                 | AC ADAPTOR                    | BRC-240AT                                   | 1   |
|                        | △        | G245714101               | AC ADAPTOR                    | BRC-230T                                    | 1   |
|                        | △        | G2457144                 | AC ADAPTOR                    | BRC-120T                                    | 1   |
|                        | △        | G2457143                 | AC ADAPTOR                    | BRC-100T                                    | 1   |
|                        |          | 00905234                 | EURO CONVERTER PLUG           | ECP01-5A (PLUG for 230V)                    | 1   |

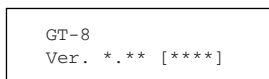
**ACCESSORIES (Standard)**

---

|   |          |                   |                     |   |
|---|----------|-------------------|---------------------|---|
| # | G6047001 | OWNER'S MANUAL    | JAPANESE            | 1 |
| # | G6047002 | OWNER'S MANUAL    | ENGLISH             | 1 |
| # | G6027107 | PRESET PATCH LIST | JAPANESE/ENGLISH    | 1 |
| # | G6047005 | READ ME FIRST     | JAPANESE/ENGLISH    | 1 |
| # | G6027108 | USER PATCH LIST   | JAPANESE/ENGLISH    | 1 |
|   | 40232389 | WARRANTY CARD     | FOR BOSS JAPAN ONLY | 1 |

# CHECKING THE VERSION NUMBER

1. Simultaneously hold down the [OUTPUT SELECT], [TUNER] and [MANUAL] buttons and turn on the power to the GT-8.
2. The version number and checksum appear in the lower row of the LCD display.



# USERS DATA SAVE AND LOAD

## Transmitting and Receiving MIDI Data

On the GT-8, you can use Exclusive messages to provide another GT-8 with identical settings, and save effect settings on a MIDI sequencer or other device. Transmitting data this way is called "Bulk Dump," while receiving such data is referred to as "Bulk Load."

## Transmitting Data to an External MIDI Device (Bulk Dump)

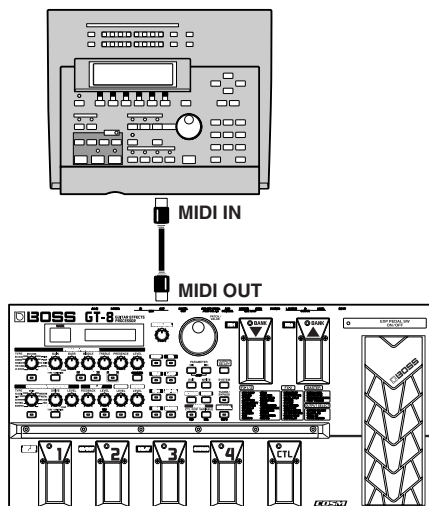
The following types of data can be transmitted. You can transmit data by specifying the range from the start to the end of transmission.

| Displayed  | Data Transmitted   |
|------------|--|
| System     | System Parameters, Harmonist scales, Auto Riff phrases, and Preamp/Speaker, Overdrive/Distortion, and Wah Custom Edit parameter settings |
| #1-1-#35-4 | Settings for Patch Number 1-1 through 35-4   |
| Temp       | Settings for the patch the is currently called up  |

## Making the Connections

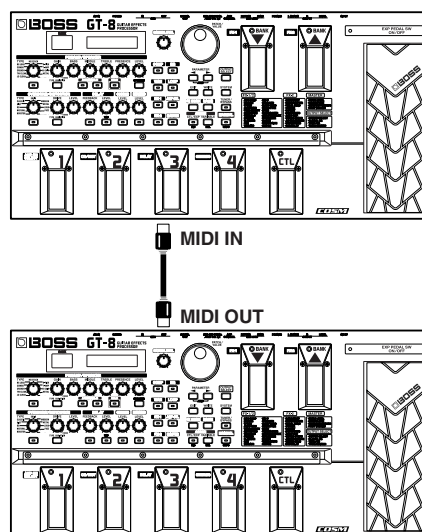
### When Saving to a MIDI Sequencer

Connect as shown in the figure below, and put the sequencer in the state where it is ready to receive Exclusive messages.

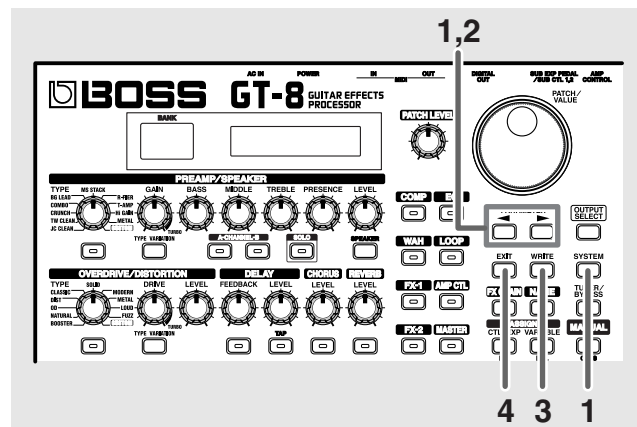


## When Transmitting Data to Another GT-8

Connect as shown in the figure below, and match the Device ID for the transmitting and receiving devices.



## Transmitting



1. Press [SYSTEM] twice, then press PARAMETER [◀][▶] so that "MIDI: Bulk Dump" is displayed.



2. Press PARAMETER [◀][▶] to move the cursor, and rotate the PATCH/VALUE dial to select the start and end of the data to be transmitted.
3. When the data to be sent has been determined, press [WRITE]. The data is transmitted.



When the transmission is completed, the screen prior to transmission returns to the display.

4. Press [EXIT] to return to the Play screen.

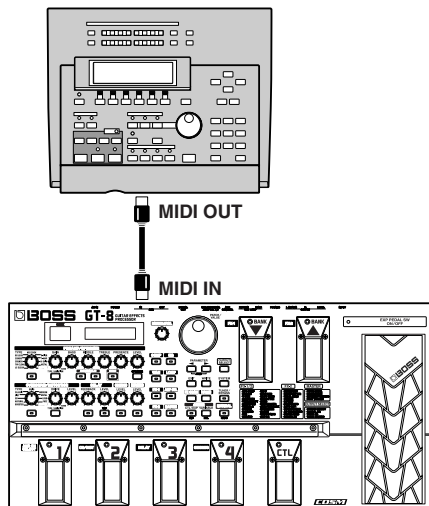
\* For instructions on operating the sequencer, refer to the owner's manual for the sequencer you are using.

# Receiving Data from an External MIDI Device (Bulk Load)

## Making the Connections

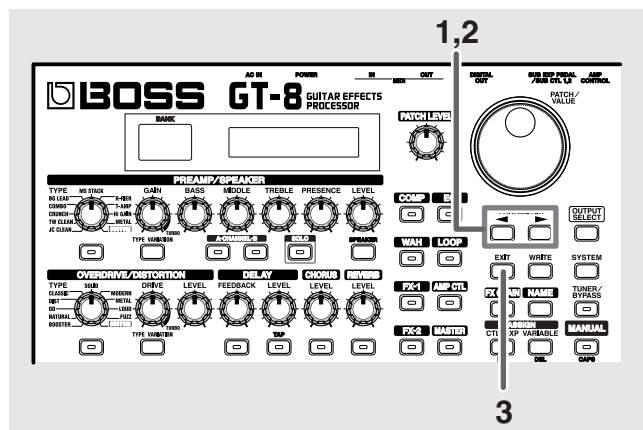
### When Receiving Data Saved on a MIDI Sequencer

Connect as shown below. Set the GT-8's Device ID to the same number that was used when the data was transmitted to the MIDI sequencer.



\* For instructions on operating the sequencer, refer to the owner's manual for the sequencer you are using.

## Receiving



1. Press [SYSTEM] twice, then press PARAMETER [◀||▶] so that "MIDI: Bulk Load" is displayed.



2. Transmit the data from the external MIDI device. The following appears in the display when the GT-8 receives the data.



The following appears in the display when the GT-8 finishes receiving the data.



At this stage, even more data can be received.

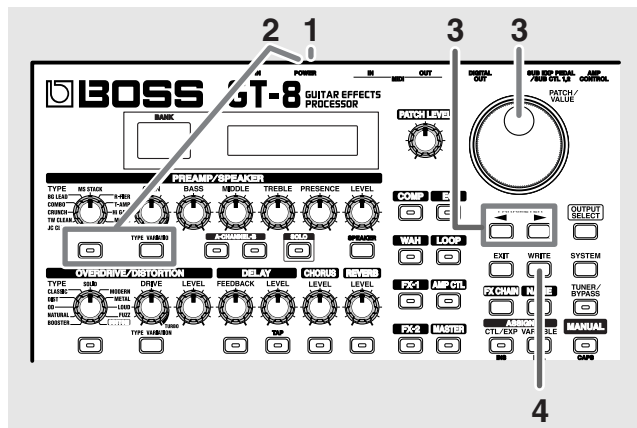
3. Press [EXIT] to quit Bulk Load. After you press [EXIT], "Checking..." appears in the display, indicating that the GT-8 is checking the received data. When the check is completed, the Play screen returns to the display.

# FACTORY RESET INSTRUCTIONS

## Restoring the Factory Settings (Factory Reset)

Restoring the GT-8 to the settings made at the factory is referred to as "Factory Reset."

Not only can you return all of the settings to the values in effect when the GT-8 was shipped from the factory, you can also specify the range of settings to be reset.



1. Turn off the power.
2. While holding down PREAMP/SPEAKER On/Off button and [TYPE VARIATION], turn on the power. The Factory Reset range setting screen appears in the display.



The range of data you wish to factory reset

\* To cancel Factory Reset, press [EXIT].

3. Press PARAMETER [◀||▶] to move the cursor, and rotate the PATCH/VALUE dial to specify the range of settings you want to restore to factory settings.

| value      | Explanation  |
|------------|--|
| System     | System parameters, Harmonist scales, Auto Riff phrases, and Preamp/Speaker, Overdrive/Distortion, and Wah Custom Edit parameter settings |
| Quick      | Content of the Settings Made with User Quick Setting   |
| #1-1-#35-4 | Settings for Patch Number 1-1 through 35-4   |

4. If you want to proceed with the factory reset, press [ENTER]. The specified range of data will be returned, and return to the Play screen.



# SYSTEM SOFTWARE UPDATING INSTRUCTIONS

## Required Equipment

- Sequencer (MC-80 or other)
- MIDI cable
- Update disk (#17041564)



### Cautionary Note

Do not turn off the power to the GT-8 during writing of the system software. This will prevent the system from being written properly to the flash ROM, and as a result, the GT-8 will not operate.



### Cautionary Note

Carry out Factory Reset after completing the update.

## Updating the System with SMFs

The GT-8 system is provide in Standard MIDI File (SMF) format. The disk contains the following SMF data; transfer the files to the GT-8 in sequence, starting from GT8\_01.mid.

GT-8 System Ver.\*.\*\* SMF Disk:

GT8\_01.mid GT8\_02.mid GT8\_03.mid GT8\_04.mid GT8\_05.mid GT8\_06.mid  
GT8\_07.mid GT8\_08.mid GT8\_09.mid GT8\_10.mid GT8\_11.mid GT8\_12.mid  
GT8\_13.mid GT8\_14.mid GT8\_15.mid GT8\_16.mid

Update the GT-8 system using the following procedure.

1. Connect the sequencer's MIDI OUT connector and the GT-8's MIDI IN connector with a MIDI cable.
2. Hold down the ASSIGN [CTL/EXP], [NAME], and [MANUAL] buttons and turn on the power to the GT-8.

```
FJ: Waiting SMF
    [GT8_01.mid]
```

appears in the LCD display, indicating the GT-8 is in standby mode.

3. Transmit the SMF data in GT8\_01.mid from the sequencer to the GT-8. When MIDI signals are received by the GT-8, the write address and checksum appear in the LCD display.

```
GT8_01.mid  SUM
*****    ****
```

When reception of GT8\_01.mid is completed,

```
Now Updating...
*****    ****
```

appears in the GT-8's LCD display. Subsequently, the following is displayed.

```
FJ: Waiting SMF
    [GT8_02.mid]
```

Transmit the SMF data in GT8\_02.mid from the sequencer.

In the same manner, continue to play back the SMF data in the remaining files until the data in GT8\_16.mid is loaded.

4. After the GT-8 has received all of the SMF data, a checksum (4-digit number) of the system software is run; confirm the checksum value.

```
All Completed.
    Sum=****
```

## TEST MODE



If the GT-8 contains any user data, be sure to back up the data to a sequencer (MC-80 or other) before servicing (for instructions on holding user data, refer to "Saving Data" and "Loading Data").

## Test Categories

- 1.DSP Check
- 2.Display
- 3.LCD Contrast
- 4.Switch
- 5.VR Check
- 6.EXP PEDAL
- 7.Battery
- 8.MIDI IN/OUT
- 9.AMP CTRL
- 10.OUTPUT D/A
- 11.EXT LOOP
- 12.INPUT A/D
- 13.DSP INTO
- 14.Noise(IN->OUT)
- 15.Noise(LOOP)
- 16.Calibrate EXP
- 17.Factory Load

## Required Equipment

- Expression Pedal (Roland EV-5)
- MIDI cable
- Oscilloscope
- Audio instrument which has DIGITAL in and Analog out.
- Guitar amp (equipped with jacks for switching channels/channel-switching jack)
- Oscillator
- 2 monitor amps
- Noise meter
- Blank plug

## Entering Test Mode

Simultaneously hold down the [DELAY] and [REVERB] buttons and turn on the power to the GT-8.

The version number and checksum appear in the lower row of the LCD display.

```
GT-8    Build***
Ver. *.* [****]
```

Press the PARAMETER [>] button to proceed to "1. DSP Check."

## Quitting Test Mode

Power off the unit.

### 1. DSP Check

Press [WRITE]; the DSP is checked, and the results of the check are displayed. If an error has occurred, the type of error is indicated; if the DSP is operating properly, "OK" is displayed.

If operating properly

```
1.DSP Check
--- OK ! ---
```

If an error has occurred (NG: No Good)

```
1.DSP Check          1.DSP Check
PRAM:NG  ERAM:      PRAM:--  ERAM:NG
```

Press the [EXIT] button, then press the PARAMETER [>] button to proceed to "2. Display."

## 2. Display

Press [WRITE]; all of the LCD segments light up, and all LED indicators and seven-segment LEDs remain lit.

Press [EXIT] to proceed to "3. LCD Contrast."

## 3. LCD Contrast

```
3.LCD Contrast
Contrast=15
```

Rotate the [PATCH/VALUE dial] in the following procedure to confirm the corresponding changes in the LCD contrast.

- 1) Rotate the dial counterclockwise; the contrast decreases and the screen darkens. Rotate the dial until the contrast reaches 0.
- 2) Rotate the dial clockwise; the contrast increases and the screen brightens. Rotate the dial until the contrast reaches 15.

Press the [EXIT] button, then press the PARAMETER [>] button to proceed to "4. Switch."

## 4. Switch

Press the [WRITE] button; all of the LEDs light up, and the name of the button being checked appears in the lower row of the LCD.

```
4.Switch
PREAMP
```

Press the switch corresponding to the indicated button.

"Wrong Switch" appears in the display if the incorrect switch is pressed.

For buttons with LEDs, confirm the following.

- 1) The LED is lit before the button is pressed.
- 2) The LED is off after the button is pressed.

Press the switches in the following sequence.

[1] Check of the effect select buttons and edit buttons:

```
[PREAMP] -> [PRE VARIATION] -> [PRE Ch A] -> [PRE Ch B] -> [PRE SOLO] -> [PRE SPEAKER] -> [OD/DS] -> [OD/DS VARIATION] -> [DELAY] -> [DELAY TAP] -> [CHORUS] -> [REVERB] -> [FX-2] -> [FX-1] -> [WAH] -> [COMP] -> [EQ] -> [LOOP] -> [AMP CTL] -> [MASTER] -> [ASSIGN CTL/EXP] -> [FX CHAIN] -> [EXIT] -> [PARAMETER (<)] -> [PARAMETER (>)] -> [WRITE] -> [NAME] -> [ASSIGN VARIABLE] -> [MANUAL] -> [TUNER/BYPASS] -> [SYSTEM] -> [OUTPUT SELECT]
```

[2] Check of the pedal switches and expression switches:

```
[BANK DOWN] -> [BANK UP] -> [BANK UP(EXP)] -> [CTL PEDAL] -> [PEDAL 4] -> [PEDAL 3] -> [PEDAL 2] -> [PEDAL 1]
```

[3] Seven-Segment LEDs

Confirm that the segments in the seven-segment LEDs go off one at a time each time [WAH] is pressed.

All of the segments should be off after the [WAH] button is pressed 14 times.

Press the PARAMETER [>] button to proceed to "5. VR Check."

## 5. VR Check

Confirm that all of the VRs are turned down to the MIN position.

Press the [WRITE] button; the name of the VR being checked appears in the bottom row of the LCD. Rotate the indicated display.

```
5.VR Check
PRE TYPE
```

[1] Clicking VRs

[PRE TYPE] -> [OD/DS TYPE]

Rotate the knob from MIN to MAX and back to MIN, and confirm that the value indicated in the seven-segment LEDs matches the corresponds notch position.

[2] Non-clicking VRs

[PATCH LEVEL] -> [PRE LEVEL] -> [PRE PRESENCE] -> [PRE TREBLE] -> [PRE MIDDLE] -> [PRE BASS] -> [PRE GAIN] ->

[OD/DS DRIVE] -> [OD/DS LEVEL] -> [DELAY FEEDBACK] -> [DELAY LEVEL] -> [CHORUS LEVEL] -> [REVERB LEVEL]

Rotate the knob from MIN to MAX, and confirm that the segments in the seven-segment LEDs light in sequence from the bottom in correspondence with the change in knob position. After all have been checked, "OK" appears in the display.

Press the PARAMETER [>] button to proceed to "6. EXP PEDAL."

## 6. EXP PEDAL

Confirm the changes in the GT-8's EXP pedal as an expression pedal connected to the [SUB EXP PEDAL/SUB CTL 1,2] jack. Connect an EV-5 to the [SUB EXP PEDAL/SUB CTL 1,2] jack.

Press the [WRITE] button. The display changes to the following.

```
6.EXP PEDAL
[---][---][---]
```

Press the GT-8 EXP pedal and confirm that content shown in the LCD changes as described below.

1) When the pedal is position approximately midway:

```
6.EXP PEDAL
[---][***][---]
```

2) When the pedal is pressed fully forward:

```
6.EXP PEDAL
[---][***][***]
```

3) When the pedal is brought back fully:

```
6.EXP PEDAL
[***][***][***]
```

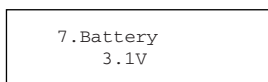
If the pedal is functioning properly, the display changes to the following; use the same procedures to check the EV-5.

```
6.SUB EXP PEDAL
[---][---][---]
```

Press the PARAMETER [>] button to proceed to "7. Battery."

## 7. Battery

Press the [WRITE] button; the voltage of the memory backup battery is displayed.



Error indications:

“\*.V Low”: When the battery voltage is 2.0-2.6 V.

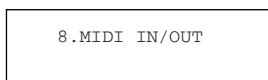
“No Battery!!”: When there is no battery, or when the battery voltage is below 2.0 V.



If the above occurs, supply the unit with a new lithium battery.

Press the [EXIT] button and then press the PARAMETER [>] button to proceed to “8. MIDI IN/OUT.”

## 8. MIDI IN/OUT



Connect the MIDI IN and MIDI out connectors with a MIDI cable.

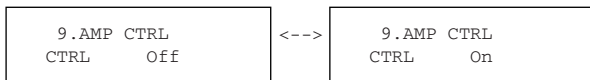
Press the [WRITE] button. If the two connectors are not connected by the MIDI cable, “No Connect” appears in the bottom row of the LCD display. If the two connectors are properly connected, “Verify OK!” is displayed.

Press the PARAMETER [>] button to proceed to “9. AMP CTRL.”

## 9. AMP CTRL

Connect the AMP CTRL jack and the channel switching jack on the guitar amp.

Press the [WRITE] button; AMP CTRL automatically switches on/off.



Confirm that the guitar amp channels are switched.

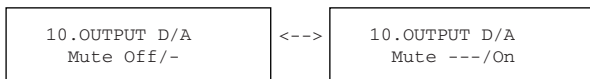
Press the [EXIT] button and then press the PARAMETER [>] button to proceed to “10. OUTPUT D/A.”

## 10. OUTPUT D/A

Set the oscilloscope as follows.

1.0 V/DIV, 0.5 ms/DIV

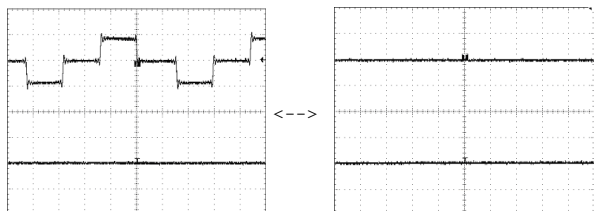
Press the [WRITE] button; a rectangular wave is output from the OUTPUT jack, and Mute is switched on/off.



Set the OUTPUT VR to MAX.

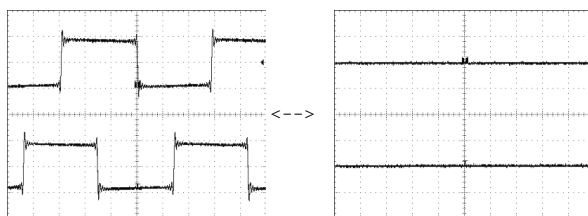
Connect only the OUTPUT L(MONO) jack to the oscilloscope (Channel 1), and confirm that the waveform alternately changes as shown below.

Do not connect anything to OUTPUT R.



Connect only the OUTPUT R jack to the oscilloscope (Channel 2), and confirm

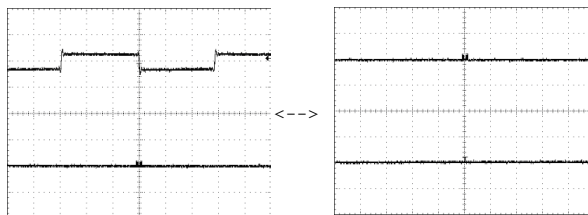
that the waveform alternately changes as shown below.



Connect the oscilloscope (Channel 1 and 2) to the PHONES jack, and use the same procedure to confirm the waveform output.

Connect the oscilloscope (Channel 1 and 2) to the digital to analog converter, and use the same procedure to confirm the waveform output.

Connect the oscilloscope (Channel 1) to the SEND jack, and confirm that the waveform alternately changes as shown below.

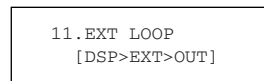


Press the [EXIT] button and then press the PARAMETER [>] button to proceed to “11. EXT LOOP.”

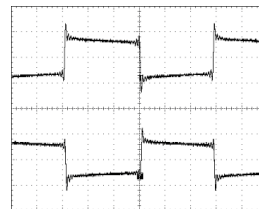
## 11. EXT LOOP

Connect the OUTPUT L/R jacks to the oscilloscope (Channel 1 and 2).

Press the [WRITE] button.



Confirm that the following type of waveform is output.



Insert the blank plug in the RETURN jack, and confirm that there is no waveform.

After confirming this, remove the blank plug from the RETURN jack.

Press the [EXIT] button and then press the PARAMETER [>] button to proceed to “12. INPUT A/D.”

## 12. INPUT A/D

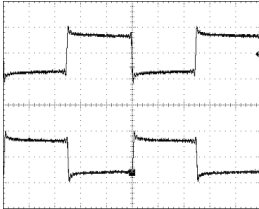
Input a rectangular wave, and observe the output waveform with the oscilloscope.

INPUT: Rectangular wave, 400 Hz, 40 mVp-p

Press the [WRITE] button.

```
12.INPUT A/D
[IN----->OUT]
```

Confirm that the following type of waveform is output.



Rotate the OUTPUT VR from MAX to MIN and to MAX again, and confirm that the amplitude of the waveform changes smoothly as the knob is turned. Press the [EXIT] button and then press the PARAMETER [>] button to proceed to "13. DSP INTO."

## 13. DSP INTO

Press the [WRITE] button; the DSP's internal oscillator-generated pitch interrupt signal is checked.

If an error occurs, the type of error is indicated in the display, and if operation is normal, "OK!" is displayed.

If OK:

```
13.DSP INTO
--- OK ! ---
```

If an error occurs:

```
13.DSP INTO
---ERROR!---
```

Press the PARAMETER [>] button to proceed to "14. Noise(IN->OUT)."

## 14. Noise(IN->OUT)

INPUT -> A/D -> DSP -> D/A -> OUTPUT  
(Connect noise meter and observe)



Note: Check with both L(MONO) and R jacks.

When the OUTPUT jacks are used individually, the left and right channel signals are mixed internally, so be sure to insert a blank plug in the R channel output when measuring the L(MONO) channel; when checking the R channel, insert the blank plug in the L(MONO) channel jack.

Press the [WRITE] button.

```
14.Noise (IN>OUT)
[IN----->OUT]
```

OUTPUT Level:MAX

Confirm that the residual noise is no more than -86.0 dB (JIS-A).

Press the [EXIT] button and then press the PARAMETER [>] button to proceed to "15. Noise(LOOP)."

## 15. Noise(LOOP)

INPUT -> A/D -> DSP -> D/A -> SEND -> RETURN -> A/D -> DSP -> D/A -> OUTPUT

(Connect noise meter and observe)



Note: Check with both L(MONO) and R jacks.

When the OUTPUT jacks are used individually, the left and right channel signals are mixed internally, so be sure to insert a blank plug in the R channel output when measuring the L(MONO) channel; when checking the R channel, insert the blank plug in the L(MONO) channel jack.

Press the [WRITE] button.

```
15.Noise (LOOP)
[RETURN->OUT]
```

OUTPUT Level:MAX

Confirm that the residual noise is no more than -84.0 dB (JIS-A).

Press the [EXIT] button and then press the PARAMETER [>] button to proceed to "16. Calibrate EXP."

## 16. Calibrate EXP

Set the EXP pedal minimum and maximum values and the EXP pedal switch threshold.

Press the [WRITE] button.

```
16.Calibrate EXP Set Pedal to MIN <--> 16.Calibrate EXP
press [WRITE]
```

Bring the EXP pedal back completely, release, and press the [WRITE] button.

When set, "OK!" appears in the display, which subsequently shows the following.

If operating properly:

```
16.Calibrate EXP Set Pedal to MAX <--> 16.Calibrate EXP
press [WRITE]
```

If an error occurs:

```
16.Calibrate EXP
- Area Over ! -
```

Press the EXP pedal fully forward, release, and press the [WRITE] button.

When set, "OK!" appears in the display, which subsequently shows the following.

```
16.Calibrate EXP
Threshold: 6
```

Rotate the [PATCH/VALUE] dial to "6" and press the [WRITE] button.

When set, "OK!" appears in the display.

This completes Test mode.

Press the PARAMETER [>] button to proceed to "17. Factory Load."

Press the [EXIT] button to quit Test mode.

---

## 17. Factory Load

Press the [WRITE] button; the following is displayed.

```
17.Factory Load
  press [WRITE]
```

Press the [WRITE] button again.

```
17.Factory Load
  sure?
```

Press the [WRITE] button again to execute Factory Reset.

```
Now writing...
```

When Factory Reset is completed, the following is displayed.

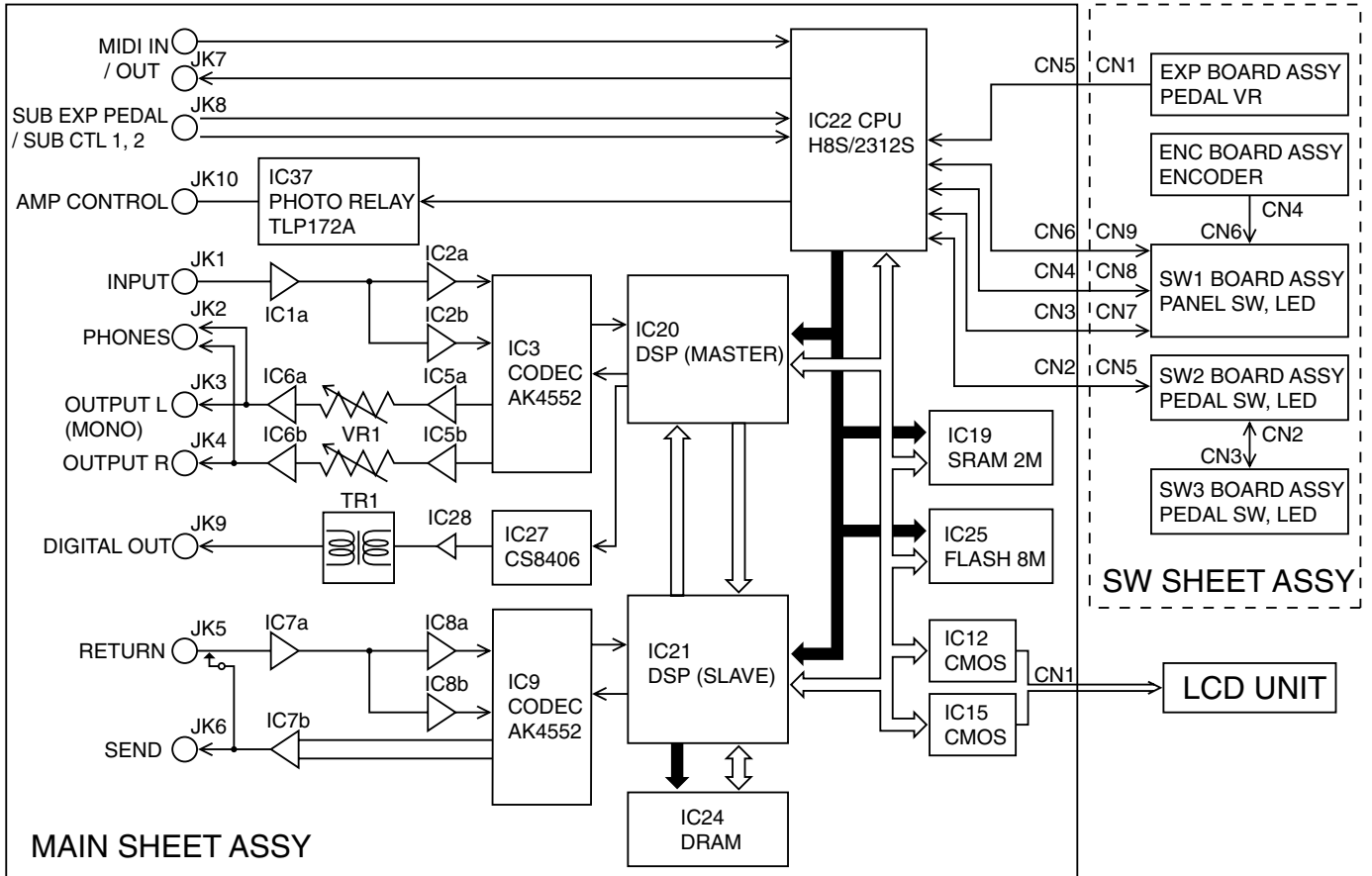
```
17.Factory Load
```

Press the [EXIT] button to return to the normal operating mode.

If no battery has been placed in the unit, "No Battery!" is indicated in the display.

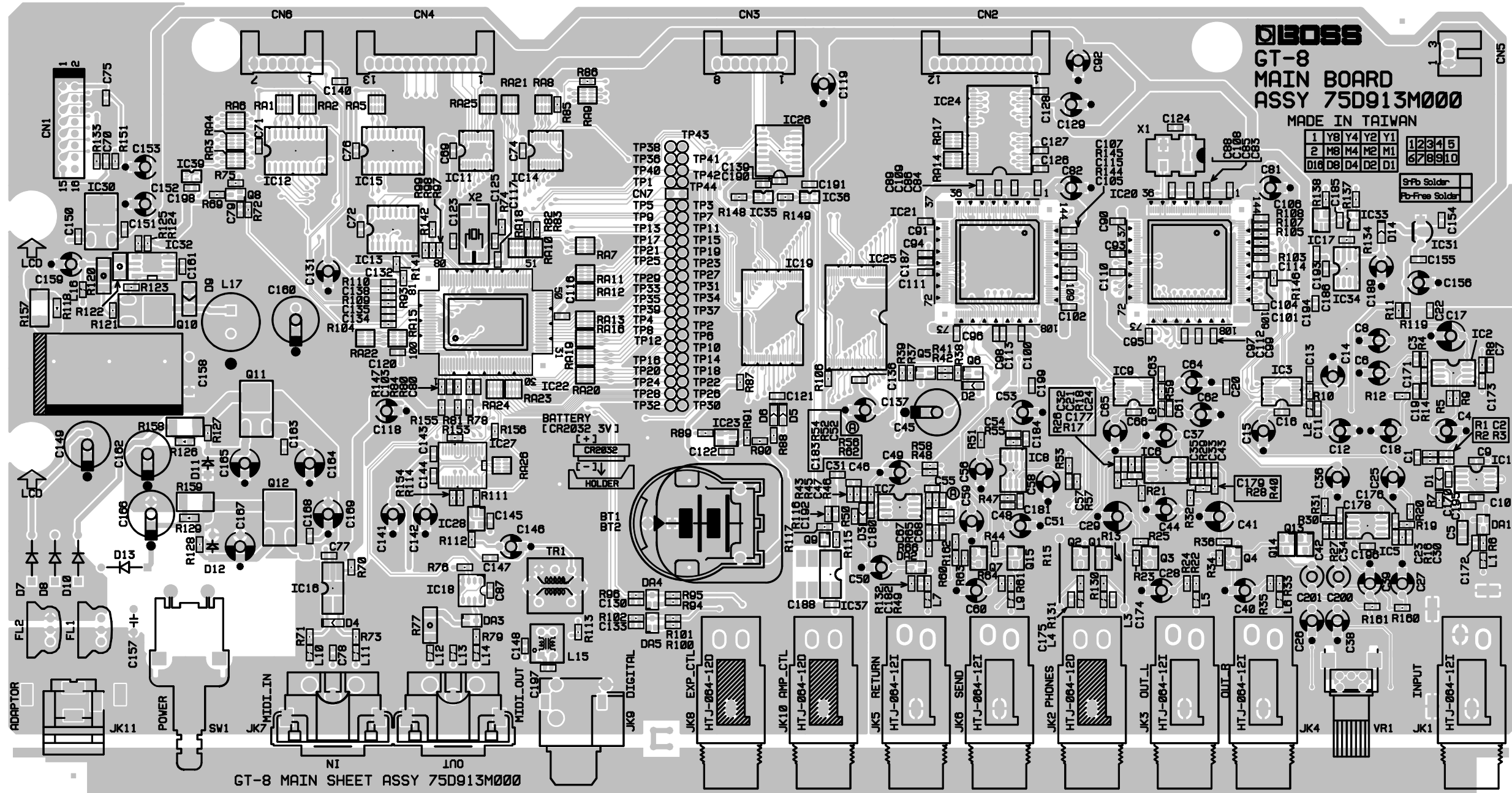
Place a new lithium battery in the unit.

# BLOCK DIAGRAM



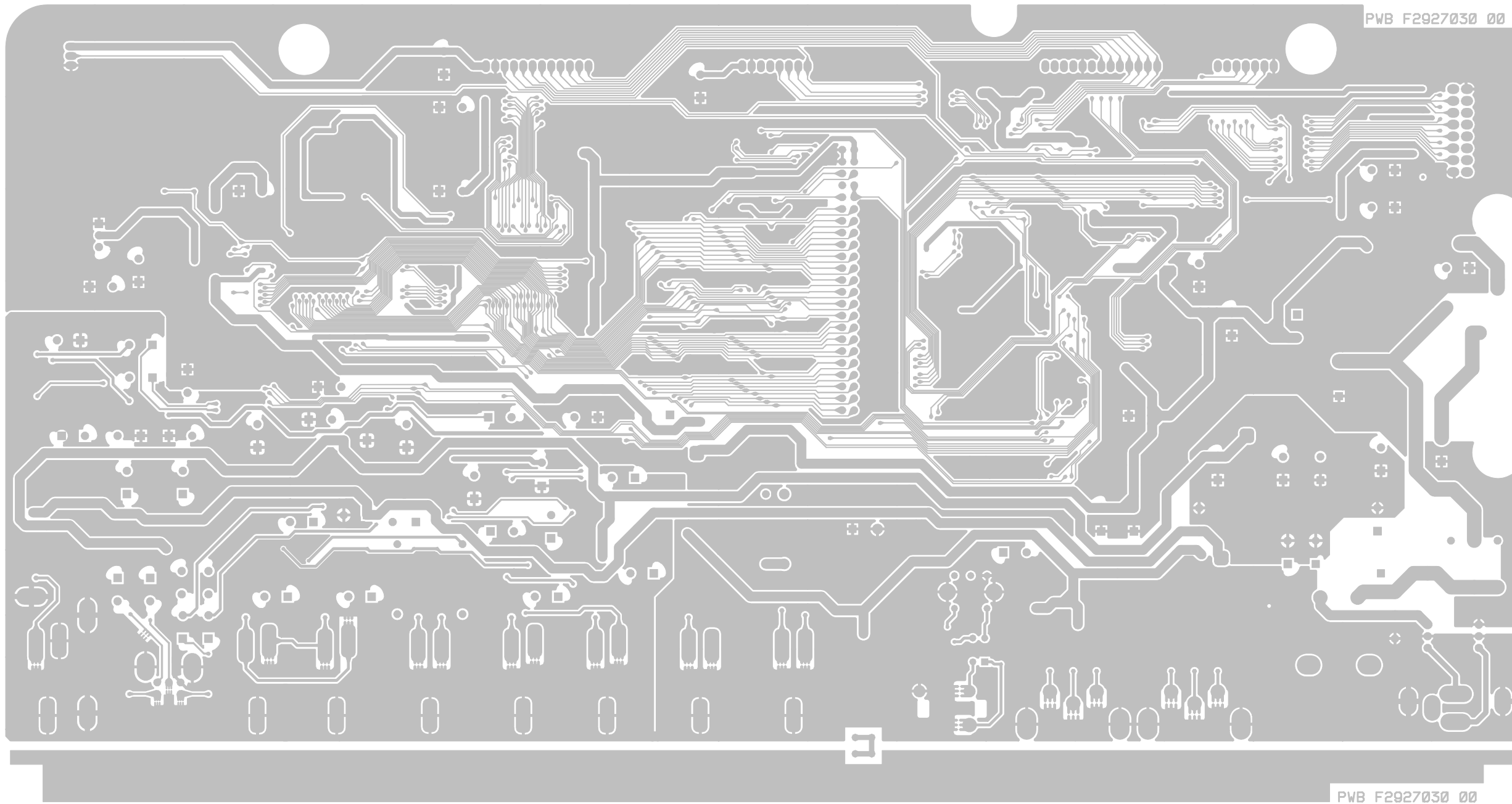


# CIRCUIT BOARD (MAIN SHEET)



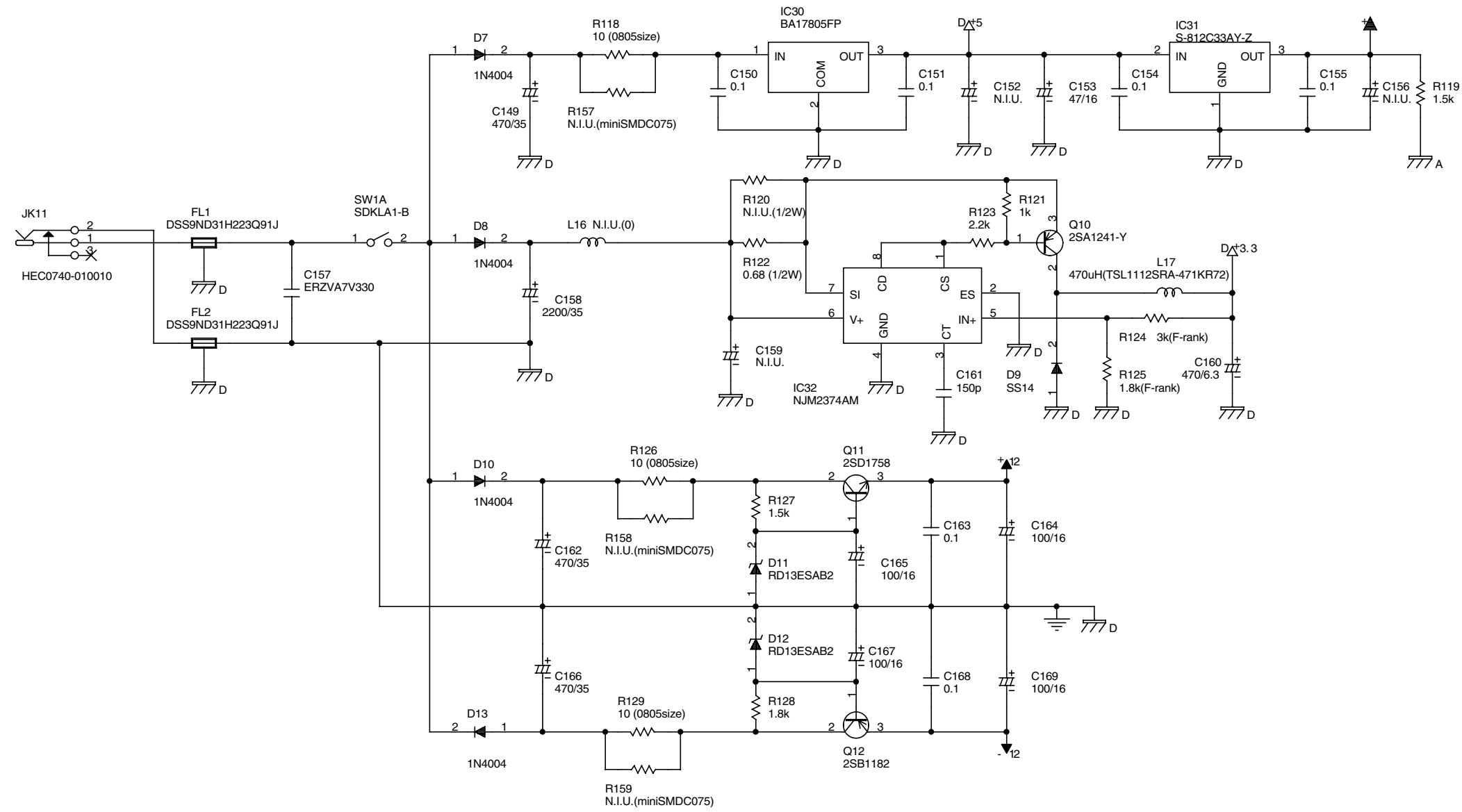
View from components side



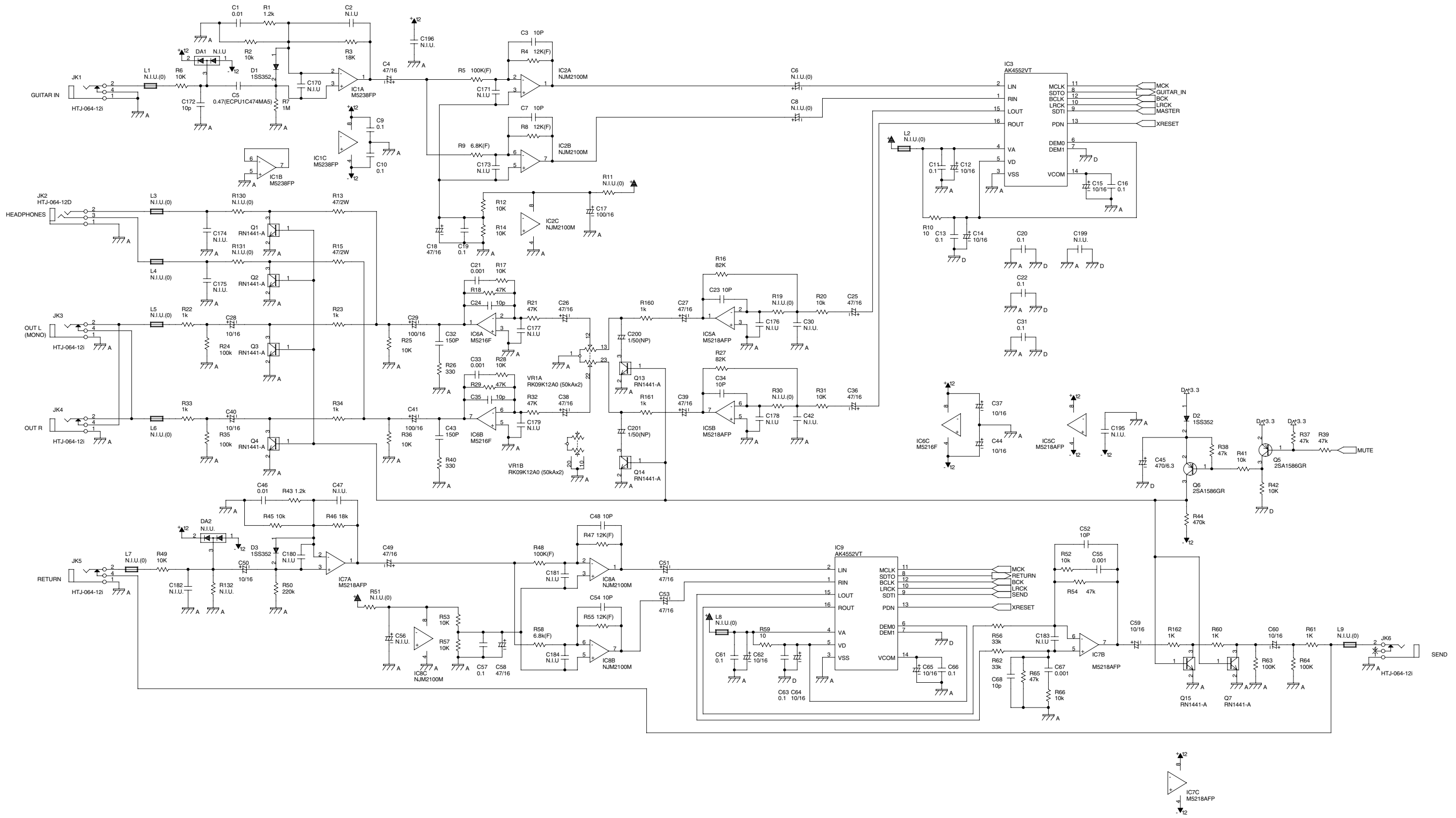


View from foil side

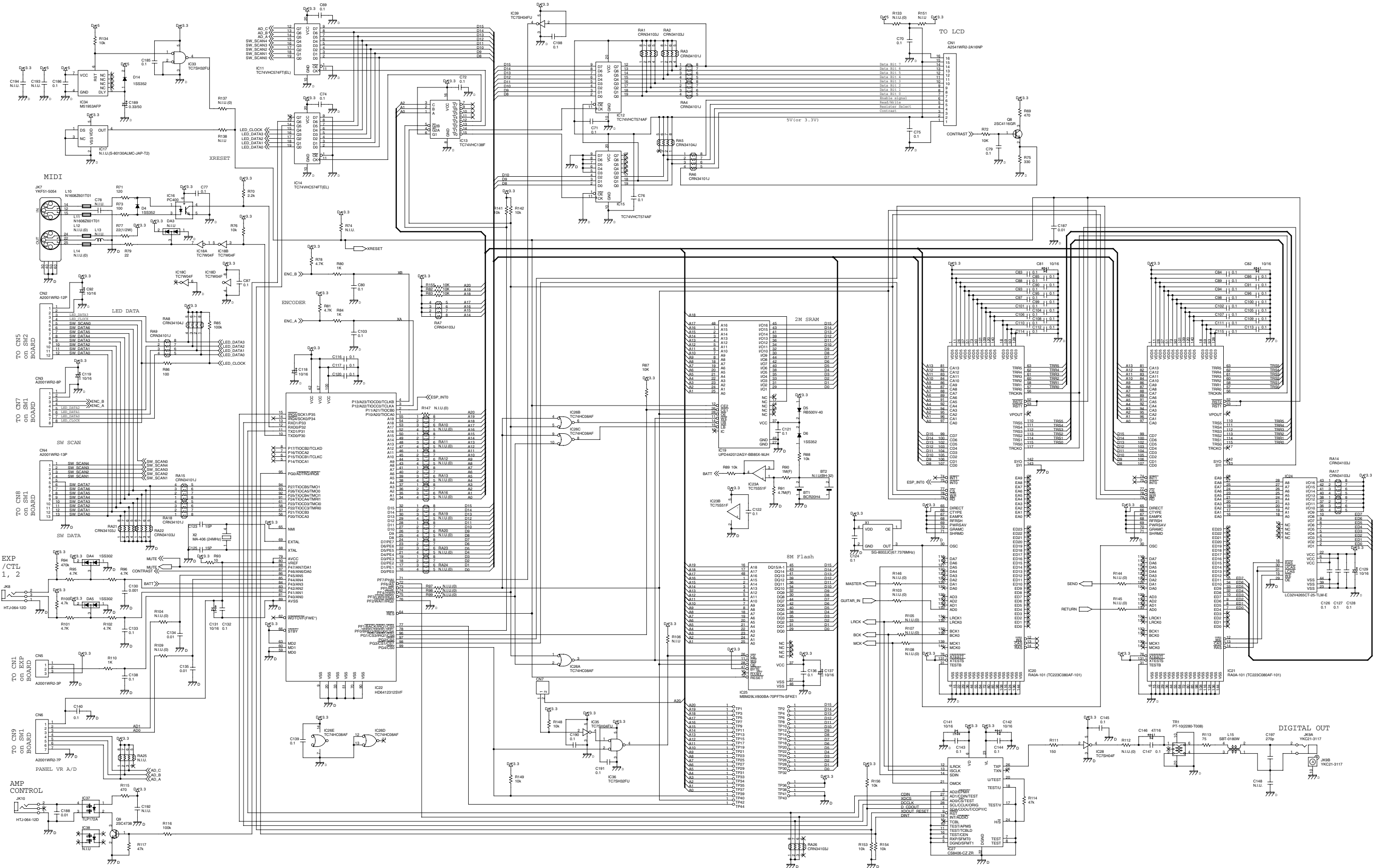
CIRCUIT DIAGRAM (MAIN SHEET 1/3) (Power)



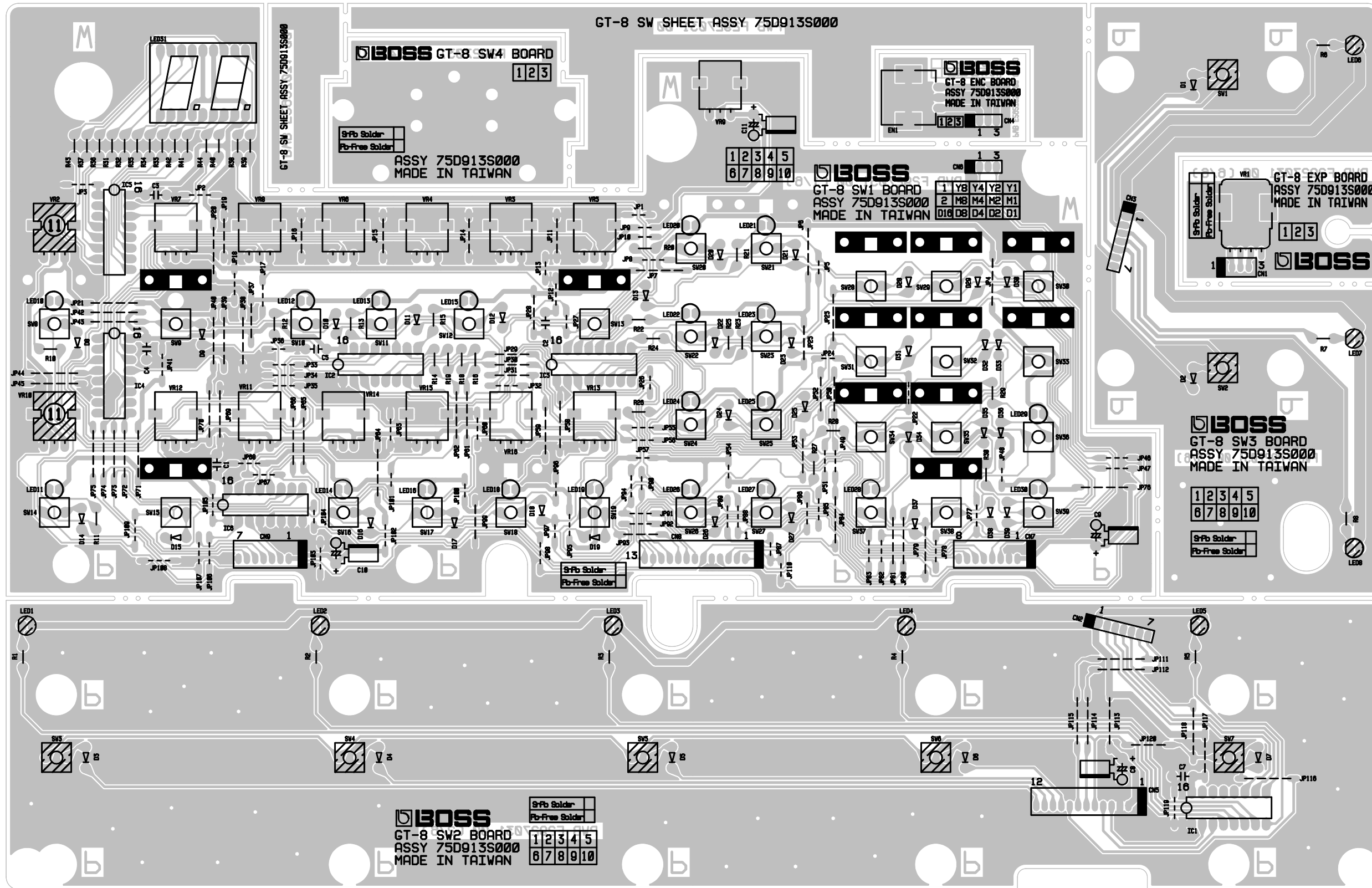
# CIRCUIT DIAGRAM (MAIN SHEET 2/3) (Jack)



# CIRCUIT DIAGRAM (MAIN SHEET 2/3) (Digital)

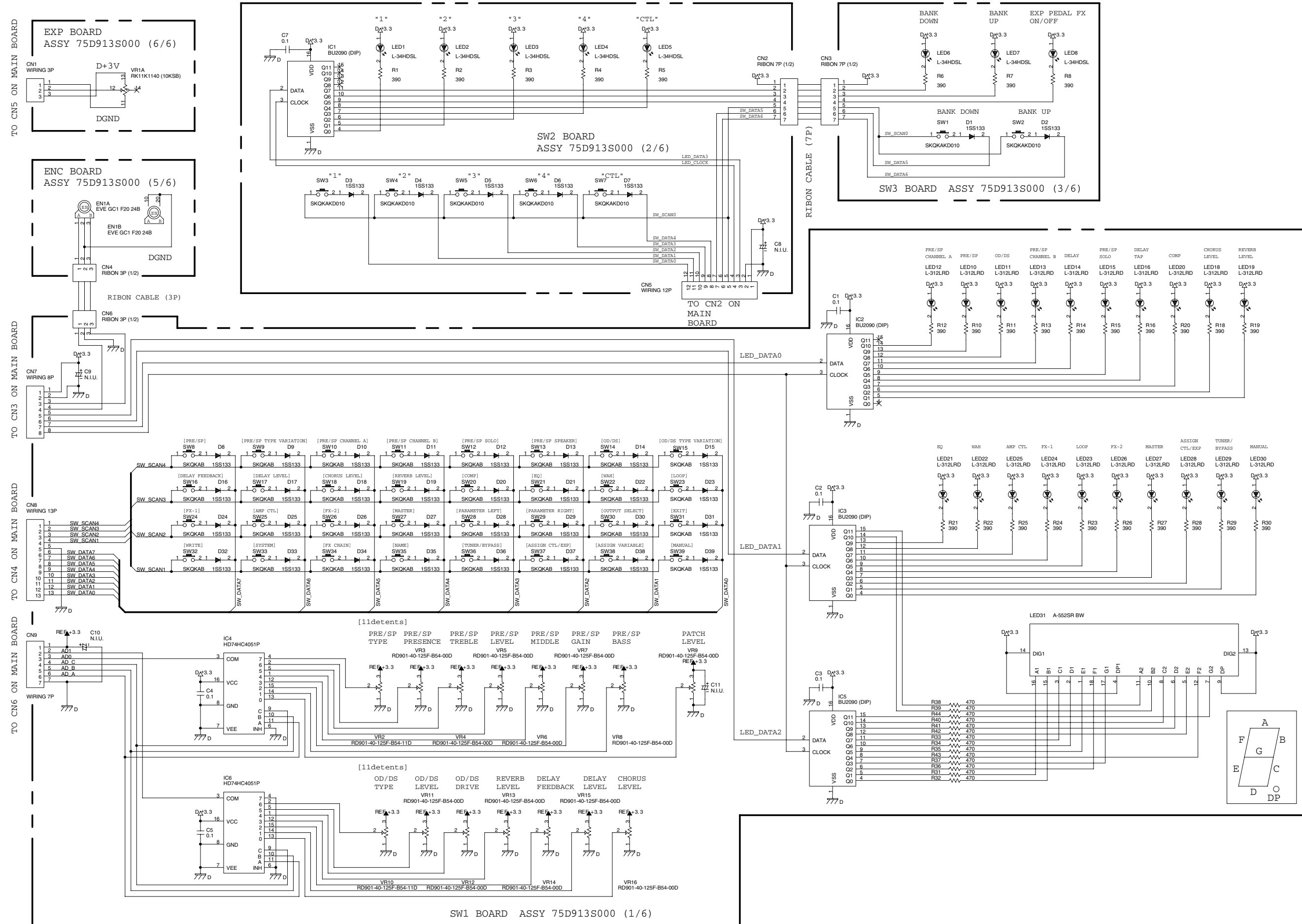


# CIRCUIT BOARD (SW SHEET)



View from components side

# CIRCUIT DIAGRAM (SW SHEET)



---

## ERROR MESSAGES

---

If you attempt an incorrect operation or if an operation could not be executed, the display will indicate an error message. Refer to this list and take the appropriate action.

Battery Low !

- The memory backup battery inside the GT-8 has run down. (This message will appear when the power is turned on.)
- Replace the battery as soon as possible.

MIDI Off Line !

- There is a problem with the MIDI cable connection.
- Check to make sure the cable has not been pulled out or is not shorted.

VALUE Locked !

- You've attempted to switch patches by rotating the PATCH/VALUE dial, but the Dial function (p. 73) is set to "VALUE Only."
- If you want to be able to switch patches using the PATCH/VALUE dial, set the Dial function to "PATCH No.& VALUE."

MIDI Buffer Full

- More MIDI messages were received in a short time than could be processed correctly.

No Battery !!

- When memory back up battery is not installed in GT-8, the display will indicate "No Battery!!".
- Please install the new Lithium Battery.