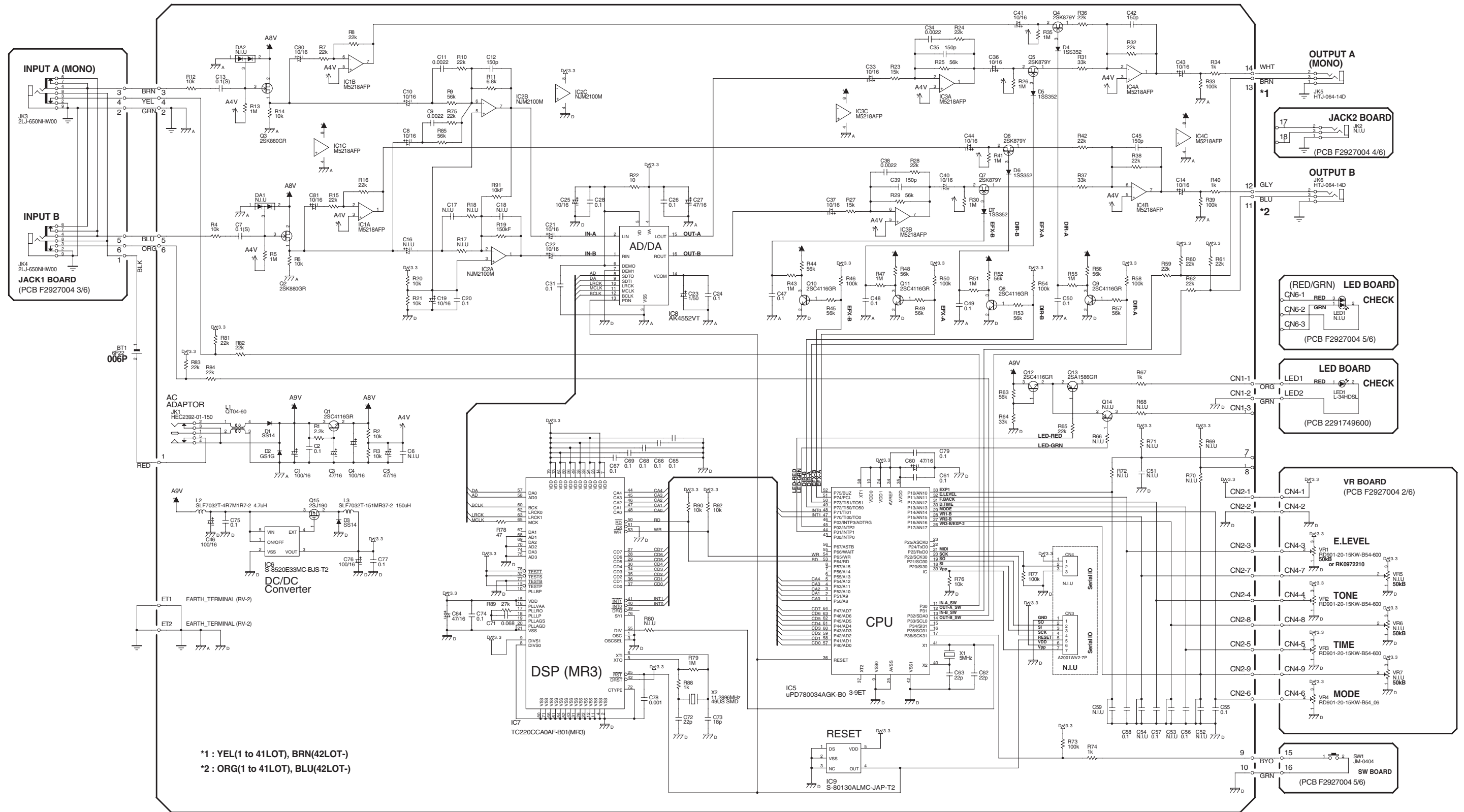


# CIRCUIT DIAGRAM



\*1 : YEL(1 to 41LOT), BRN(42LOT-)  
\*2 : ORG(1 to 41LOT), BLU(42LOT-)