

# RC-20 PHRASE RECORDER

## SERVICE NOTES

*First Edition*  
**Issued by RJA**

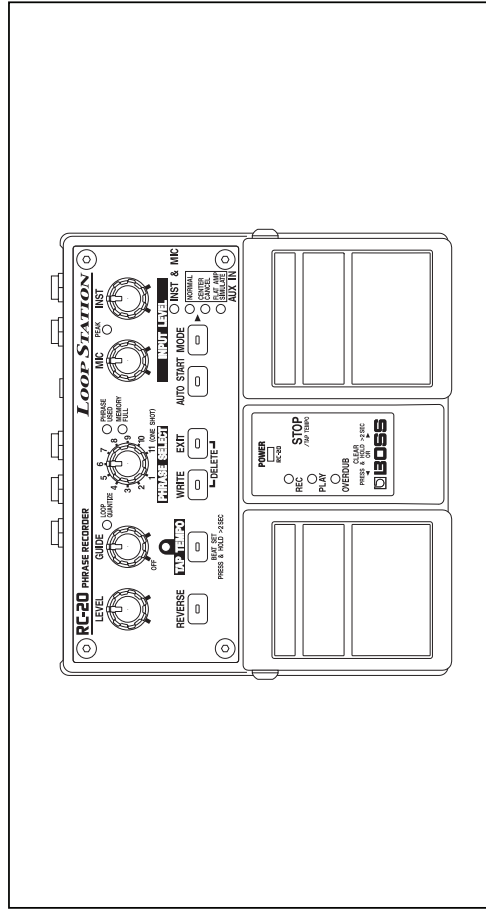
### TABLE OF CONTENTS

	Page
SPECIFICATIONS	1
LOCATION OF CONTROLS	2
EXPLODED VIEW	3
PARTS LIST	6
TEST MODE	8
SERIAL DUMP AND UPDATE PROCEDURE	11
BLOCK DIAGRAM	13
CIRCUIT BOARD (PANEL JACK)	14
CIRCUIT DIAGRAM (PANEL)	16
CIRCUIT DIAGRAM (JACK 1-16 LOT)	17
CIRCUIT DIAGRAM (JACK 17 LOT up)	18
CIRCUIT BOARD (CENTER)	19
CIRCUIT DIAGRAM (CENTER)	20

## SPECIFICATIONS

### RC-20 : PHRASE RECORDER

- **Nominal Input Level**  
INPUT : -20 dBu (variable)  
MIC : -40 dBu (variable)  
AUX IN : -10 dBu
- **Input Impedance**  
INPUT : 1M ohm  
MIC : 1k ohm  
AUX IN : 47k ohm
- **Nominal Output Level**  
OUTPUT : -20 dBu
- **Output Impedance**  
1k ohm
- **Recommended Load Impedance**  
10k ohm or greater
- **Internal Memory**  
Recording Time : 5 min., 30 sec.  
10 loop phrases + 1 one-shot phrase (max.)
- **Controls**  
RECALL/OVERDUB Pedal  
STOP/TAP TEMPO Pedal  
INST. Knob  
MIC Knob  
PHRASE SELECT Knob  
GUIDE Knob  
LEVEL Knob  
REVERSE Button  
TAP TEMPO Button  
WRITE Button  
EXIT Button  
AUTO START Button  
MODE Button
- **Indicators**  
POWER (serves also as battery check indicator)  
REC  
PLAY  
OVERDUB  
PEAK  
PHRASE USED  
MEMORY FULL  
LOOP QUANTIZE  
TAP TEMPO  
REVERSE  
WRITE  
EXIT  
AUTO START  
INST. & MIC  
NORMAL  
CENTER CANCEL  
FLAT AMP SIMULATE
- **Connectors**  
INST. Jack  
MIC Jack  
AUX IN Jack (Stereo miniature phone type)  
PHRASE SHIFT Jack  
REVERSE Jack  
OUTPUT Jack
- **Power**  
DC 9V : Dry battery (AA type) x 6, AC Adaptor
- **Power Consumption**  
85 mA (9 V max.)  
\* Expected battery life under continuous use:  
Carbon : 9 hours  
Alkaline : 25 hours  
These figures will vary depending on the actual conditions of use.
- **Dimensions**  
173 (W) x 138 (D) x 57 (H) mm  
6-13/16 (W) x 6-1/4 (D) x 2-1/4 (H) inches
- **Weight**  
1.2 kg / 2 lbs. 7 oz. (including batteries)
- **Accessories**  
Owner's Manual English (#G6017294)  
Dry battery <AA type> x 6 (#####)  
Sound Library for RC-20 <Sample Phrase CD-ROM> (#G2567113)  
Sound Library for RC-20 <Sample Phrase CD LEAFLET> (#G6017447)
- **Options**  
AC Adaptor (PSA-series)  
Foot Switch (FS-5U)  
\* 0 dBu = 0.775 Vrms  
\* In the interest of product improvement, the specifications and/or appearance of this unit are subject to change without prior notice.



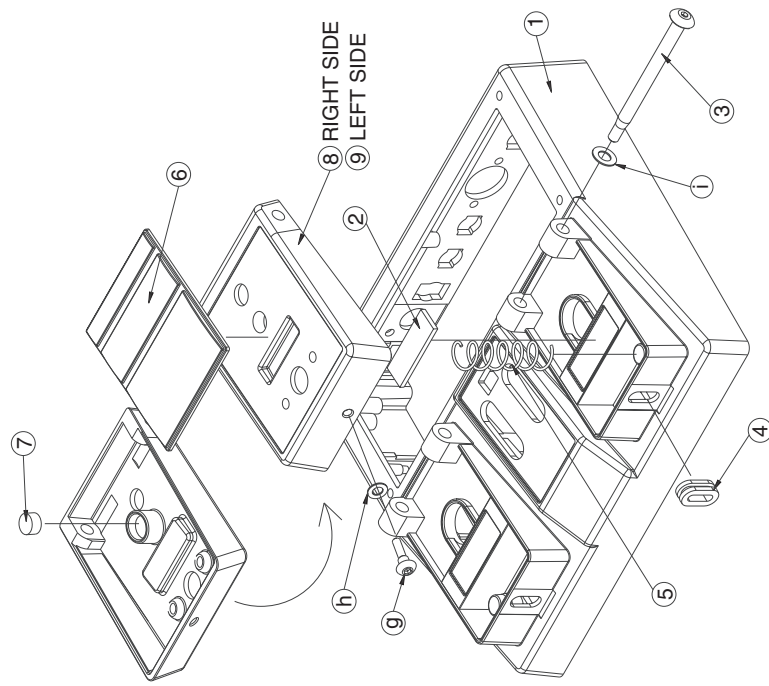
Copyright © 2001 ROLAND CORPORATION  
All rights reserved. No part of this publication may be reproduced in any form without the written permission of ROLAND CORPORATION.



1 2 3 4 5 6 7 8 9 10 11 12 13 14 15 16 17 18 19 20 21 22 23 24 25 26 27 28 29 30 31 32 33 34 35 36 37 38 39 40

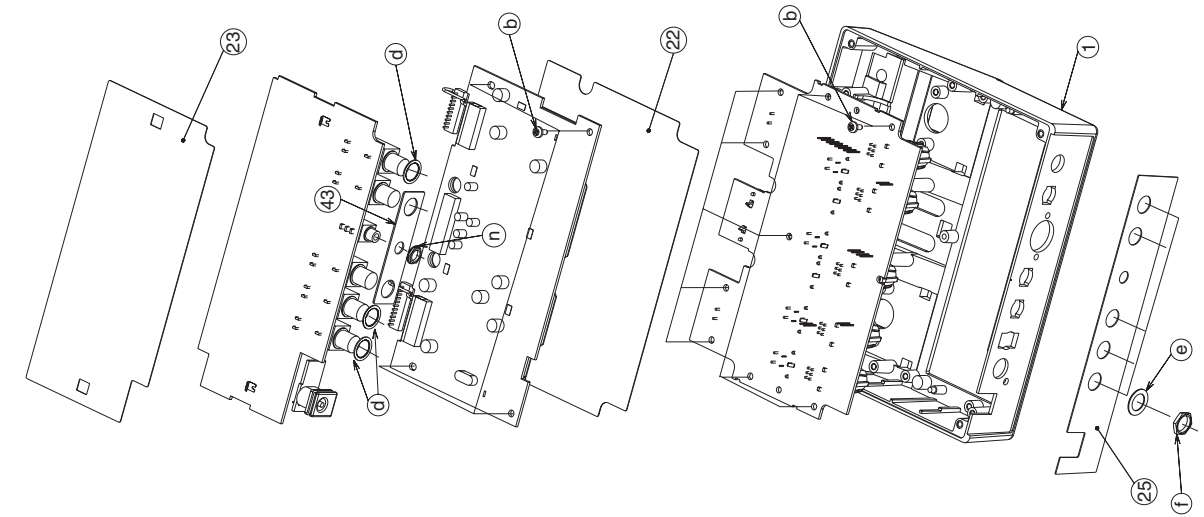
# A EXPLODED VIEW

[Parts]		[Screws]	
No.	Part Name	No.	Part Name
1	CASE	a	SCREW 3x8 PAN TAPPING-2 BZC
2	CUSHION R	b	SCREW 3x6 PAN TAPPING-2 FEZC
3	PEDAL SHAFT	c	SCREW M4x6 HEXAGON SOCKET BUTTON HEAD FENI
4	PEDAL GUIDE BUSH	d	INTERNAL TOOTH WASHER M9.5x12.5x0.5 FENI
5	SPRING	e	JACK WASHER M9.2x14x0.5 FENI
6	PEDAL PLATE	f	JACK NUT M9x1x2 NI
7	PEDAL FOOT	g	SCREW 4M3 HEXAGON SOCKET BUTTON HEAD FEBZC
8	PEDAL R	h	NYLON WASHER M4.1x7.5x0.5 BLACK
9	PEDAL L	i	NYLON WASHER M5.1x9.5x0.5 BLACK
10	BOTTOM COVER	j	SCREW 2.6x5 BINDING TAPTITE P FEZC
11	BATTERY COVER	k	VR ACCESSORY NUT M7
12	BATTERY COVER V6	l	SCREW 3x6 PAN HEAD TAPTITE-2 BZC
13	BATTERY TERMINAL(+)	m	MINI JACK NUT M6 FENI
14	BATTERY TERMINAL(-)	n	
15	BATTERY TERMINAL(+/-)		
16	BATTERY INSULATING SHEET		
17	LABEL CAUTION		
18	QUICK MANUAL LABEL		
19	R-KNOB		
20	INSULATING SHEET CENTER		
21	INSULATING SHEET BOTTOM		
22	PANEL		
23	REAR PANEL		
24	LED PANEL		
25	KEYTOP S WITHOUT LENS		
26	KEYTOP S BLACK WITH LENS		
27	MINI JACK HOLDER		
28			
29			
30			
31			
32			
33			
34			
35			
36			
37			
38			
39			
40			



1 2 3 4 5 6 7 8 9 10 11 12 13 14 15 16 17 18 19 20 21 22 23 24 25 26 27 28 29 30 31 32 33 34 35 36 37 38 39 40

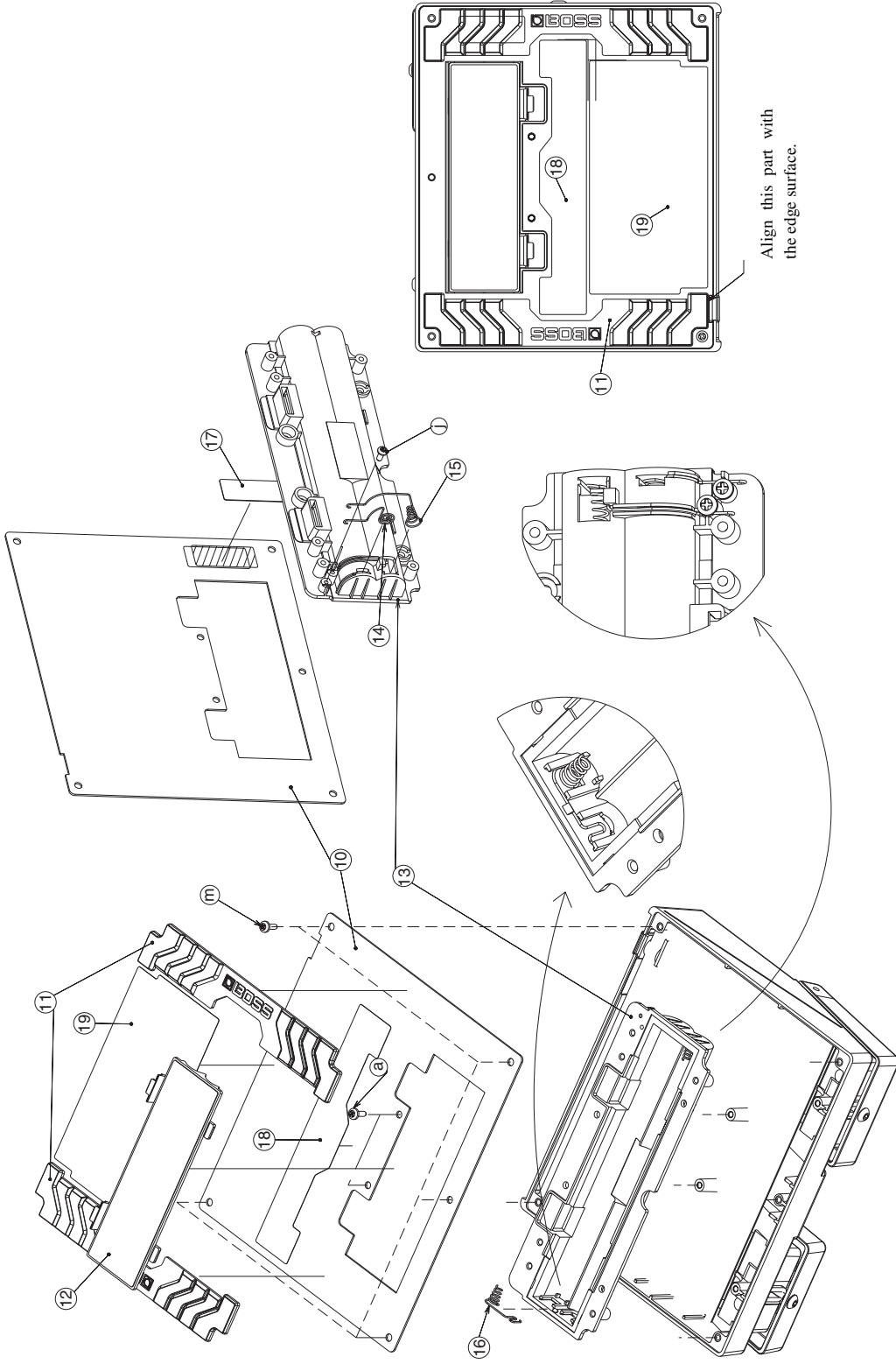
**A EXPLODED VIEW**



1 2 3 4 5 6 7 8 9 10 11 12 13 14 15 16 17 18 19 20 21 22 23 24 25 26 27 28 29 30 31 32 33 34 35 36 37 38 39 40

**A EXPLODED VIEW**

B C D E F G H I J K L M N O P Q R S T U V



# PARTS LIST

**SAFETY PRECAUTION:** Have safety-related characteristics, and related parts for replacement.

The parts marked # are new (initial parts).

**CONSIDERATIONS ON PARTS ORDERING**  
When ordering any parts listed in the parts list, please specify the following items in the order sheet.  
Ex. QTY PART NUMBER DESCRIPTION MODEL NUMBER  
15 221017000 Knob (orange) DAC-LSD  
Failure to completely fill in the above items with correct number and description will result in delayed or even undelivered replacement.

CB -> CENTER BOARD ASSY.  
PB -> PANEL BOARD ASSY.  
JK -> JACK BOARD ASSY.

QTY DESCRIPTION MODEL NUMBER  
15 221017000 Knob (orange) DAC-LSD

Failure to completely fill in the above items with correct number and description will result in delayed or even undelivered replacement.

The parts marked # are new (initial parts).

**SAFETY PRECAUTION:** Have safety-related characteristics, and related parts for replacement.

CASING	QTY
G2017620 BATTERY CASE V6	1
G2017621 BATTERY COVER	1
G2017148 BOTTOM COVER	1
G2357118 BOTTOM FOOT	2
G2017146 CASE	1
G2217137 LED PANEL	1
G2217133 PANEL	1
G2187531 PEDAL L	1
G2357116 PEDAL PLATE	2
G2187530 PEDAL R	1
H5029851 PEDAL SHAFT	2
G2217135 REAR PANEL	1
62A.53	1
<b>KNOB, BUTTON</b>	
G247751001 KEYTOP'S BLACK WITH LENS	4
G247751301 KEYTOP'S WITHOUT LENS	2
G2477122 R-KNOB	5
<b>SWITCH</b>	
01780101 SKOKAB	6
13129778 SKOKAB	2
<b>JACK, EXT TERMINAL</b>	
13449150MF HT1-064-12D	1
F3449155MF HT1-064-12I	4
F4340404 A324A-3C	1
F344940301 DJ-0711B-020	1
<b>PWB ASSY</b>	
# 75D433M000 CENTER PWB ASSY (EXG)	1
# 75D433P001 PANEL PWB ASSY	1
NOTE : PANEL PWB ASSY includes the following parts. ***** ***** PANEL BOARD ASSY JACK BOARD ASSY	
<b>IC</b>	
# 02780089 UPD703102GH-33-W05 VER.1.01	1
# 02563023 TC8S866AFT	1
02451434 AK4552VT	1
02453389 IC32V4265T-25	1
02121556 LC24085B-SD1	1
00346445 NIM2100M(TE3)	1
15189261 M5218AFP-600E	5
02458090 TC4066BFT(EL)	1
15259118 TC4W66FT(TE12L)	1
15259884 TC7508F(TE8L)	1
01906156 S-8520E33MC-BIS-T2	1
02455056 S-80930ALMP-DAT-T2	1
<b>TRANSISTOR</b>	
15319107 2SC4116-GR(TES8R)	3
1532010370 2SK880-GR(TESSR)	2
# 02562867 IRF7606	1

RESISTOR	QTY
F5399110 0 OHM	1
F5399301 0 OHM	2
F5419716 CRN34103J	2
F5419715 CRN346800	10
00566867 R16 on CB	1
00567023 R22,R3,R30 on CB	9
00567156 R30 on PB R46,R60,R62 on JB	4
00567289 R3,R5,R11,R12,R21,R27,R28,R29 on CB. R2 on PB.	4
00567412 R1,R3,R11,R12,R15,R21, R27,R42,R48,R50 on JB	19
00567556 R3 on PB, R6,R13,R14,R47 on JB	5
00567167 R5,R7 on PB, R2,R51 on JB	1
00567290 R1 on PB	1
00566890 R1 on CB, R31 on JB	2
00567178 R20 on CB	1
00567301 R20 on CB	1
00567067 R2 on CB, R33,R58 on JB	3
00567323 R6,R14 on CB	4
00567334 R23,R26,R54,R56 on JB	4
00567089 R8 on PB	1
00567367 R40 on JB	1
00566967 R26 on CB	1
00567245 R8,R52 on JB	2
00567378 R9,R10 on PB, R4,R5,R9,R10,R16-R20, R22,R24,R25,R28,R29,R30, R37,R39,R53,R55,R57 on JB	22
00567501 R59,R61 on JB	2
00567389 R4 on CB, R34,R35,R38,R41 on JB	5
00566990 R8,R13 on CB	2
00567390 R36 on JB	1
00567401 R7 on JB	1
<b>POTENTIOMETER</b>	
F3279805 RD901-40-125F-AF5-00D	2
F3279802 RD901-40-125F-B54-00D	2
F3279803 RD901-40-125F-B54-11D	1
<b>CAPACITOR</b>	
F5359345 0.027U	1
F5367504 1006.3V	6
F5369601 150V	6
01674167 ECUVIH100DCV	5
01674278 ECUVIH4700CV	2
01674334 ECUVIH100JCV	5
01674423 ECUVIH470JCV	2
01674567 ECI1VB1H562K	3
01674612 ECI1VB1H103K	3
01674701 ECI1VF1E104Z0.1UF/16VK	3
F5367503 47/6.3V	30

DIODE	QTY
1533911970 1SS352(TPH3)	11
01019534 1SS355 TE-17	1
F5339137 SS14 VF-0.45V	2
02562878 02DZ5.1-Y(TPH3)	1
1533912070 1SS302(TES8R)	6
15029342 GL3ED3	1
F5029126 L-11EGDT	1
F5029117 L-312LRD	4
F5029124 L-34GDSL	2
1502928100 L-34HDSL	8
F5029125 L-34YDSL	1
<b>SWITCHING DIODE</b>	
D1 on CB, D1-D8 on PB, D11,D12 on JB	11
D9 on JB	1
D3,D7 on JB	2
D9 on PB	1
DA1-DA6 on JB	6
LED9 on PB	1
LED7 on PB	1
LED4,LED12,LED14,LED15 on PB	4
LED2,LED10 on PB	2
LED3,LED5-LED8,LED11, LED13,LED16 on PB	8
LED1 on PB	1
<b>CHIP RESISTOR (1608TYPE)</b>	
C3 on JB	1
C25,R45 on JB	2
RA2,RA7 on CB	2
RA1,RA3-RA6,RA8-RA12 on CB	10
R16 on CB	1
R7,R9,R10,R15,R17,R18, R22,R23,R30 on CB	9
R6 on PB R46,R60,R62 on JB	4
R3,R5,R11,R12,R21,R27,R28,R29 on CB. R2 on PB.	4
R1,R3,R11,R12,R15,R21, R27,R42,R48,R50 on JB	19
R3 on PB, R6,R13,R14,R47 on JB	5
R5,R7 on PB, R2,R51 on JB	1
R1 on PB	1
R1 on CB, R31 on JB	2
R20 on CB	1
R20 on CB	1
R2 on CB, R33,R58 on JB	3
R6,R14 on CB	4
R23,R26,R54,R56 on JB	4
R8 on PB	1
R40 on JB	1
R26 on CB	1
R8,R52 on JB	2
R9,R10 on PB, R4,R5,R9,R10,R16-R20, R22,R24,R25,R28,R29,R30, R37,R39,R53,R55,R57 on JB	22
R59,R61 on JB	2
R4 on CB, R34,R35,R38,R41 on JB	5
R8,R13 on CB	2
R36 on JB	1
R7 on JB	1
<b>CHIP CAPACITOR (1608TYPE)</b>	
C6 on JB	1
C1,C3,C4,C24,C42,C46 on CB	6
C1,C2 on PB, C2,C5,C18,C39 on JB	5
C15,C39,C40 on CB, C19,C33 on JB	2
C34,C35 on CB	2
C7,C12,C17,C36,C37 on JB	5
C30,C31 on JB	2
C13,C44 on CB, C14 on JB	3
C4,C8,C32 on JB	3
C5,C12,C14,C16,C19,C21,C22, C23,C25,C26,C27,C29,C31,C33, C36,C37,C38,C41,C43,C47 on CB, C3 on PB, C11,C28,C38 on JB	30
C26 on JB	1
<b>CHIP CAPACITOR</b>	
VR4 VR5 on PB	2
VR1 VR3 on PB	2
VR2 on PB	1
<b>POT. W/0 CLICK 250KA</b>	
POT. W/0 CLICK 50KA	2
POT. W/1 CLICKS 50KB	1
<b>CHIP CAPACITOR (1608TYPE)</b>	
C6 on JB	1
C1,C3,C4,C24,C42,C46 on CB	6
C1,C2 on PB, C2,C5,C18,C39 on JB	5
C15,C39,C40 on CB, C19,C33 on JB	2
C34,C35 on CB	2
C7,C12,C17,C36,C37 on JB	5
C30,C31 on JB	2
C13,C44 on CB, C14 on JB	3
C4,C8,C32 on JB	3
C5,C12,C14,C16,C19,C21,C22, C23,C25,C26,C27,C29,C31,C33, C36,C37,C38,C41,C43,C47 on CB, C3 on PB, C11,C28,C38 on JB	30
C26 on JB	1
<b>CHIP CAPACITOR</b>	
VR4 VR5 on PB	2
VR1 VR3 on PB	2
VR2 on PB	1
<b>POT. W/0 CLICK 250KA</b>	
POT. W/0 CLICK 50KA	2
POT. W/1 CLICKS 50KB	1
<b>CHIP CAPACITOR (1608TYPE)</b>	
C6 on JB	1
C1,C3,C4,C24,C42,C46 on CB	6
C1,C2 on PB, C2,C5,C18,C39 on JB	5
C15,C39,C40 on CB, C19,C33 on JB	2
C34,C35 on CB	2
C7,C12,C17,C36,C37 on JB	5
C30,C31 on JB	2
C13,C44 on CB, C14 on JB	3
C4,C8,C32 on JB	3
C5,C12,C14,C16,C19,C21,C22, C23,C25,C26,C27,C29,C31,C33, C36,C37,C38,C41,C43,C47 on CB, C3 on PB, C11,C28,C38 on JB	30
C26 on JB	1
<b>CHIP CAPACITOR</b>	
VR4 VR5 on PB	2
VR1 VR3 on PB	2
VR2 on PB	1
<b>POT. W/0 CLICK 250KA</b>	
POT. W/0 CLICK 50KA	2
POT. W/1 CLICKS 50KB	1
<b>CHIP CAPACITOR (1608TYPE)</b>	
C6 on JB	1
C1,C3,C4,C24,C42,C46 on CB	6
C1,C2 on PB, C2,C5,C18,C39 on JB	5
C15,C39,C40 on CB, C19,C33 on JB	2
C34,C35 on CB	2
C7,C12,C17,C36,C37 on JB	5
C30,C31 on JB	2
C13,C44 on CB, C14 on JB	3
C4,C8,C32 on JB	3
C5,C12,C14,C16,C19,C21,C22, C23,C25,C26,C27,C29,C31,C33, C36,C37,C38,C41,C43,C47 on CB, C3 on PB, C11,C28,C38 on JB	30
C26 on JB	1
<b>CHIP CAPACITOR</b>	
VR4 VR5 on PB	2
VR1 VR3 on PB	2
VR2 on PB	1
<b>POT. W/0 CLICK 250KA</b>	
POT. W/0 CLICK 50KA	2
POT. W/1 CLICKS 50KB	1
<b>CHIP CAPACITOR (1608TYPE)</b>	
C6 on JB	1
C1,C3,C4,C24,C42,C46 on CB	6
C1,C2 on PB, C2,C5,C18,C39 on JB	5
C15,C39,C40 on CB, C19,C33 on JB	2
C34,C35 on CB	2
C7,C12,C17,C36,C37 on JB	5
C30,C31 on JB	2
C13,C44 on CB, C14 on JB	3
C4,C8,C32 on JB	3
C5,C12,C14,C16,C19,C21,C22, C23,C25,C26,C27,C29,C31,C33, C36,C37,C38,C41,C43,C47 on CB, C3 on PB, C11,C28,C38 on JB	30
C26 on JB	1
<b>CHIP CAPACITOR</b>	
VR4 VR5 on PB	2
VR1 VR3 on PB	2
VR2 on PB	1
<b>POT. W/0 CLICK 250KA</b>	
POT. W/0 CLICK 50KA	2
POT. W/1 CLICKS 50KB	1
<b>CHIP CAPACITOR (1608TYPE)</b>	
C6 on JB	1
C1,C3,C4,C24,C42,C46 on CB	6
C1,C2 on PB, C2,C5,C18,C39 on JB	5
C15,C39,C40 on CB, C19,C33 on JB	2
C34,C35 on CB	2
C7,C12,C17,C36,C37 on JB	5
C30,C31 on JB	2
C13,C44 on CB, C14 on JB	3
C4,C8,C32 on JB	3
C5,C12,C14,C16,C19,C21,C22, C23,C25,C26,C27,C29,C31,C33, C36,C37,C38,C41,C43,C47 on CB, C3 on PB, C11,C28,C38 on JB	30
C26 on JB	1
<b>CHIP CAPACITOR</b>	
VR4 VR5 on PB	2
VR1 VR3 on PB	2
VR2 on PB	1
<b>POT. W/0 CLICK 250KA</b>	
POT. W/0 CLICK 50KA	2
POT. W/1 CLICKS 50KB	1
<b>CHIP CAPACITOR (1608TYPE)</b>	
C6 on JB	1
C1,C3,C4,C24,C42,C46 on CB	6
C1,C2 on PB, C2,C5,C18,C39 on JB	5
C15,C39,C40 on CB, C19,C33 on JB	2
C34,C35 on CB	2
C7,C12,C17,C36,C37 on JB	5
C30,C31 on JB	2
C13,C44 on CB, C14 on JB	3
C4,C8,C32 on JB	3
C5,C12,C14,C16,C19,C21,C22, C23,C25,C26,C27,C29,C31,C33, C36,C37,C38,C41,C43,C47 on CB, C3 on PB, C11,C28,C38 on JB	30
C26 on JB	1
<b>CHIP CAPACITOR</b>	
VR4 VR5 on PB	2
VR1 VR3 on PB	2
VR2 on PB	1
<b>POT. W/0 CLICK 250KA</b>	
POT. W/0 CLICK 50KA	2
POT. W/1 CLICKS 50KB	1
<b>CHIP CAPACITOR (1608TYPE)</b>	
C6 on JB	1
C1,C3,C4,C24,C42,C46 on CB	6
C1,C2 on PB, C2,C5,C18,C39 on JB	5
C15,C39,C40 on CB, C19,C33 on JB	2
C34,C35 on CB	2
C7,C12,C17,C36,C37 on JB	5
C30,C31 on JB	2
C13,C44 on CB, C14 on JB	3
C4,C8,C32 on JB	3
C5,C12,C14,C16,C19,C21,C22, C23,C25,C26,C27,C29,C31,C33, C36,C37,C38,C41,C43,C47 on CB, C3 on PB, C11,C28,C38 on JB	30
C26 on JB	1
<b>CHIP CAPACITOR</b>	
VR4 VR5 on PB	2
VR1 VR3 on PB	2
VR2 on PB	1
<b>POT. W/0 CLICK 250KA</b>	
POT. W/0 CLICK 50KA	2
POT. W/1 CLICKS 50KB	1
<b>CHIP CAPACITOR (1608TYPE)</b>	
C6 on JB	1
C1,C3,C4,C24,C42,C46 on CB	6
C1,C2 on PB, C2,C5,C18,C39 on JB	5
C15,C39,C40 on CB, C19,C33 on JB	2
C34,C35 on CB	2
C7,C12,C17,C36,C37 on JB	5
C30,C31 on JB	2
C13,C44 on CB, C14 on JB	3
C4,C8,C32 on JB	3
C5,C12,C14,C16,C19,C21,C22, C23,C25,C26,C27,C29,C31,C33, C36,C37,C38,C41,C43,C47 on CB, C3 on PB, C11,C28,C38 on JB	30
C26 on JB	1
<b>CHIP CAPACITOR</b>	
VR4 VR5 on PB	2
VR1 VR3 on PB	2
VR2 on PB	1
<b>POT. W/0 CLICK 250KA</b>	
POT. W/0 CLICK 50KA	2
POT. W/1 CLICKS 50KB	1
<b>CHIP CAPACITOR (1608TYPE)</b>	
C6 on JB	1
C1,C3,C4,C24,C42,C46 on CB	6
C1,C2 on PB, C2,C5,C18,C39 on JB	5
C15,C39,C40 on CB, C19,C33 on JB	2
C34,C35 on CB	2
C7,C12,C17,C36,C37 on JB	5
C30,C31 on JB	2
C13,C44 on CB, C14 on JB	3
C4,C8,C32 on JB	3
C5,C12,C14,C16,C19,C21,C22, C23,C25,C26,C27,C29,C31,C33, C36,C37,C38,C41,C43,C47 on CB, C3 on PB, C11,C28,C38 on JB	30
C26 on JB	1
<b>CHIP CAPACITOR</b>	
VR4 VR5 on PB	2
VR1 VR3 on PB	2
VR2 on PB	1
<b>POT. W/0 CLICK 250KA</b>	
POT. W/0 CLICK 50KA	2
POT. W/1 CLICKS 50KB	1
<b>CHIP CAPACITOR (1608TYPE)</b>	
C6 on JB	1
C1,C3,C4,C24,C42,C46 on CB	6

F5367542 I0/16V  
 F5367546 100/16V  
 02341489 ECPUC474MA5

CHIP CAPACITOR C2,C20,C28,C30,C32 on CB,  
 C4-C9 on PB, C24,C34,C35 on JB  
 CHIP CAPACITOR C18 on CB, C23,C29,C40 on JB  
 MYLAR CAPACITOR(SUBMICRON) C10 on PB, C1,C9,C10 on JB

INDUCTOR, COIL, FILTER  
 F2449209 SLF7032T-151MR37-2U150UH  
 F2449210 SLF7032T-4R7M1R7-2(4,7UH)  
 02563478 NFM4516P13C204F  
 1249381 SBT-0460TF  
 1249386 SBT-0180W  
 00903167 N2012Z601T02

COIL L16 on JB  
 COIL L15 on JB  
 EMI FILTER C21 on JB  
 EMI FILTER L14 on JB  
 EMI FILTER FL1 on JB  
 FERRITE-BEAD (CHIP) L1-L7 on CB, L1-L10,L12,L13 on JB

CRYSTAL, RESONATOR  
 01899745 AT-41CD2.64MHZ  
 00901912 MA-406 24-576MHZ TE24

CRYSTAL X3 on CB  
 CRYSTAL X2 on CB

CONNECTOR  
 F3439160 S3015-0210 2P P=2MM  
 F3439165 A2001WR2-10P  
 F3439166 A2001WR2-11P  
 F3439167 A2001WR2-14P  
 F3439164 A2001WR2-8P

CONNECTOR CN6 on JB  
 CONNECTOR CN3 on CB  
 CONNECTOR CN2 on CB  
 CONNECTOR CN1 on CB  
 CONNECTOR CN1 on JB

WIRING, CABLE  
 G3477146 3P L=40x5x5 MM P=2MM  
 G3487222 WIRING 8P  
 G3487221 WIRING 10P  
 G3487220 WIRING 11P  
 G3487219 WIRING 14P  
 G3487163 WIRING BATTERY

RIBBON CABLE CN3 on JB to CN4 on JB  
 CN3 on PB to CN1 on JB  
 CN1 on PB to CN3 on CB  
 CN2 on PB to CN2 on CB  
 CN2 on JB to CN1 on CB

SCREWS  
 H5019430 SCREW 2.6x5  
 H5019110 SCREW 3x6  
 H5029325 SCREW 3x6  
 H5019115 SCREW 3x8  
 H5029850 SCREW M4x6  
 H5029852 SCREW 4M3  
 40123545 JACK NUT M9x11x2  
 40016467 JACK WASHER M9.2x14x0.5  
 H5039521 VR ACCESSORY NUT M7  
 H5039413 NYLON WASHER M4.1x7.5x0.5  
 H5039414 NYLON WASHER M5.1x9.5x0.5  
 40011923 WASHER M9.1x13  
 H5039324 MINI JACK NUT M6

SCREW BINDING HEAD TAPITE-P FEZC  
 PAN HEAD TAPITE-2 FEZC  
 PAN HEAD TAPITE-2 BZC  
 PAN HEAD TAPITE-2 BZC  
 HEXAGON SOCKET BUTTON HEAD FENI  
 HEXAGON SOCKET BUTTON HEAD FEBZC  
 NI  
 FENI  
 FENI  
 BLACK  
 BLACK  
 INTERNAL TOOTH  
 FENI

PACKING  
 G2567114 CD PACKAGE  
 G2607212 PACKING CASE LOWER  
 G3627136 PACKING CASE UPPER  
 H2679505 POLYETHYLENE BAG  
 G2237614 REAR PAD  
 G2237613 SIDE PAD

CD PACKAGE  
 PACKING CASE LOWER  
 PACKING CASE UPPER  
 POLYETHYLENE BAG  
 REAR PAD  
 SIDE PAD

MISCELLANEOUS  
 G2257130 BATTERY INSULATING SHEET  
 G217309 BATTERY TERMINAL(-)  
 G217308 BATTERY TERMINAL(+)  
 G217307 BATTERY TERMINAL(+/-)  
 G2357111 CUSHION R  
 G2257131 INSULATING SHEET BOTTOM  
 G2257129 INSULATING SHEET CENTER  
 F2439803 LABEL CAUTION  
 02123845 LEAF A  
 G2197126 LED GUIDE  
 H2369427 LED SPACER  
 G2197502 MINI JACK HOLDER  
 G2357115 PEDAL FOOT  
 2215770201 PEDAL GUIDE BUSH  
 G2537848 QUICK MANUAL LABEL  
 F2259116 SHIELD COVER

BATTERY INSULATING SHEET  
 BATTERY TERMINAL(-)  
 BATTERY TERMINAL(+)  
 BATTERY TERMINAL(+/-)  
 CUSHION R  
 INSULATING SHEET BOTTOM  
 INSULATING SHEET CENTER  
 LABEL CAUTION  
 LEAF A  
 LED GUIDE  
 LED SPACER  
 MINI JACK HOLDER  
 PEDAL FOOT  
 PEDAL GUIDE BUSH  
 QUICK MANUAL LABEL  
 SHIELD COVER

F2259117 SHIELD SHEET  
 G2177104 SPRING

OWNERS MANUAL  
 OWNERS MANUAL  
 CD-ROM  
 CD MANUAL  
 WARRANTY CARD

ACCESSORIES (Standard)  
 G6017295 JAPANESE  
 G6017294 ENGLISH  
 G2567113 SAMPLE DATA  
 G6017447 (JAPAN ONLY)  
 40232334

OWNERS MANUAL  
 OWNERS MANUAL  
 CD-ROM  
 CD MANUAL  
 WARRANTY CARD