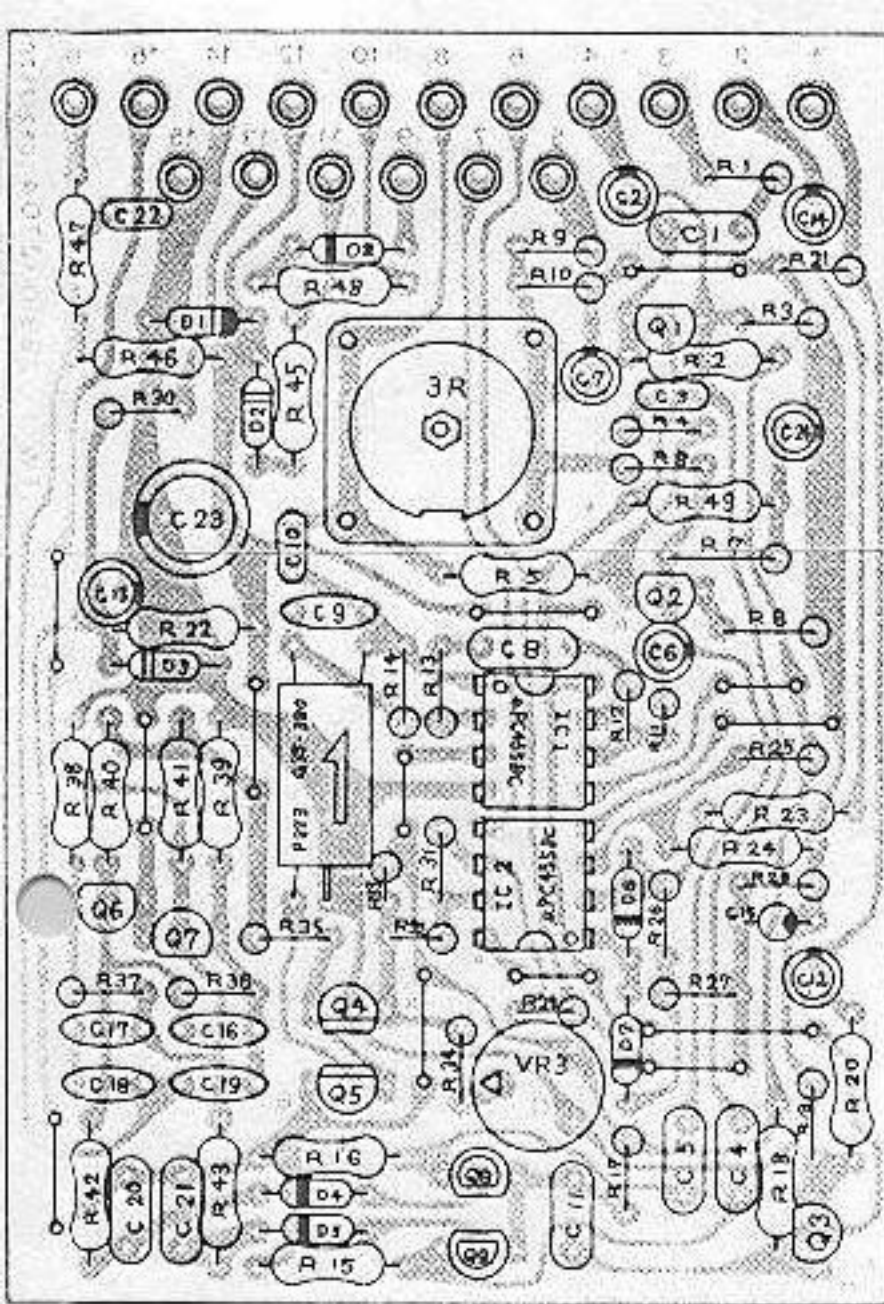


FREQUENCY ADJUSTMENT

Feed 350Hz Sine -45dBm
 Adjust trimmer for max out
 Set DRIVE at DOWN
 Make sure that peaking
 frequency is within 1.3kHz-1.65kHz

OUTPUT WAVEFORMS Test Signal
 Square 200Hz 80mv pp



ET5206-510B (7520651002)

(pcb 2291032704)

With Serial Number 0400

