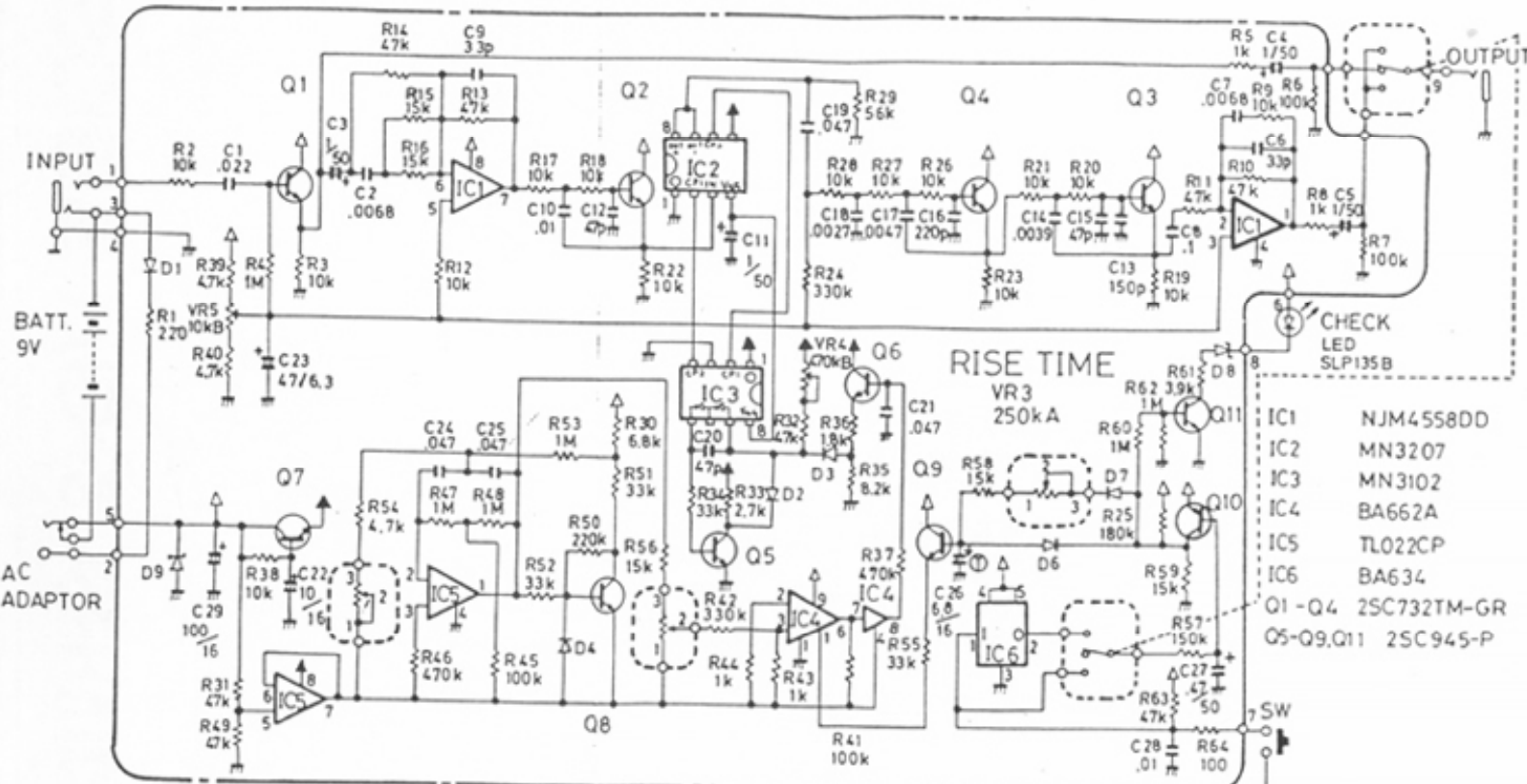
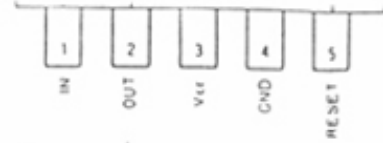


**RATE**

MODE: LATCH      DEPTH: Midpoint

1. Check the sweep rate at the extremities of RATE setting:  
2 cycles at FCCW; 15 cycles at FCW.



- IC1 NJM4558DD
- IC2 MN3207
- IC3 MN3102
- IC4 BA662A
- IC5 TL022CP
- IC6 BA634
- Q1-Q4 2SC732TM-GR
- Q5-Q9,Q11 2SC945-P
- Q10 2SA733-P
- D1-D7 1SS133
- D8 R05.1EB 3
- D9 RD11FB 3

RATE VR1 250kC  
DEPTH VR2 50kB

BOSS VB-2