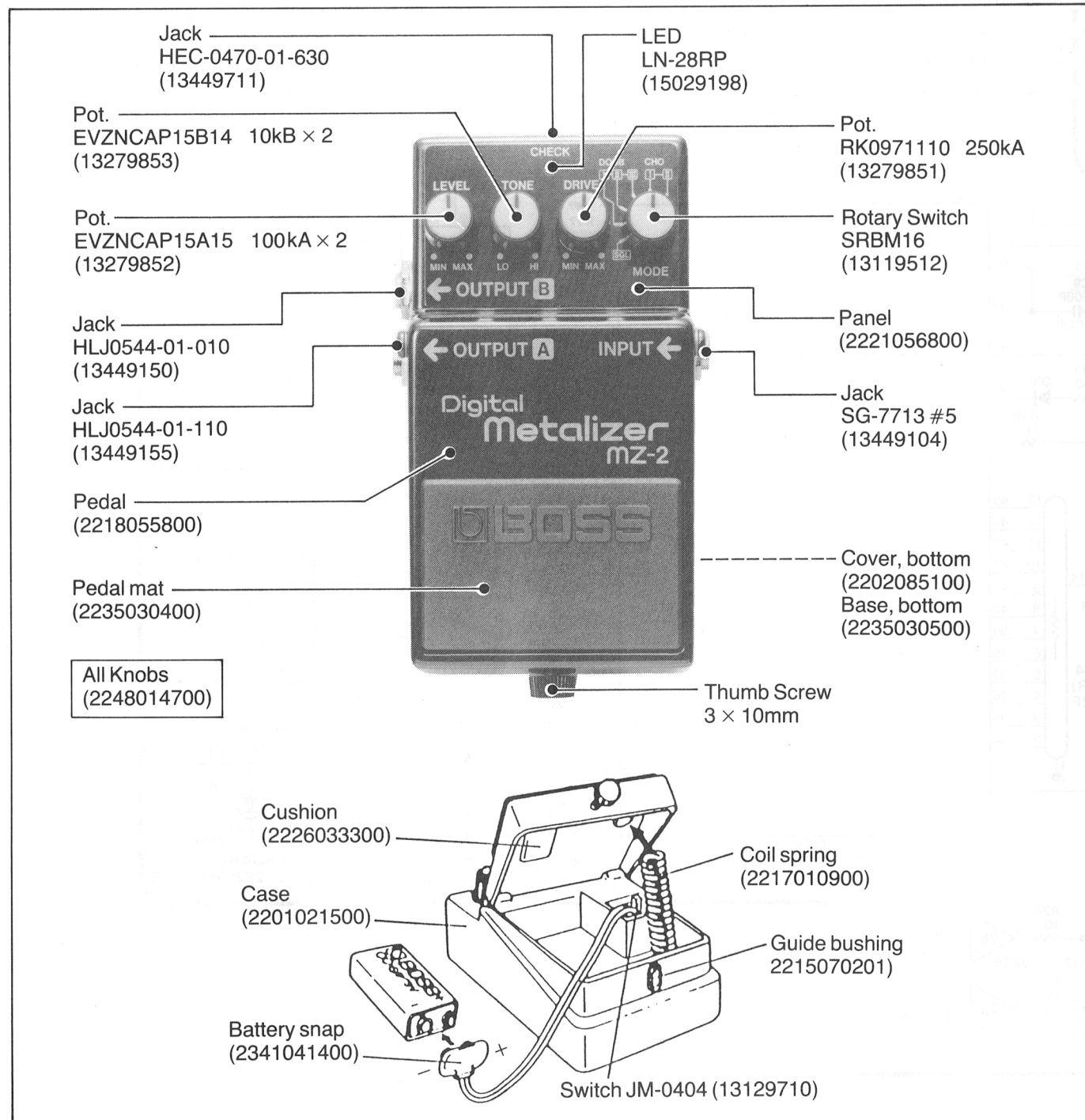


BOSS MZ-2 SERVICE NOTES

First Edition

SPECIFICATIONS

- Power Source 9V Battery (006P) × 1 or AC adaptor (BOOS PSA Series or RPW-7)
- Current Draw 70mA@ 9V DC
- Equivalent Input Noise Less than - 120dBm (IHF-A)
- Input Impedance 1MΩ
- Output Load Impedance More than 10kΩ
- Dimensions 70(W) × 55(H) × 125(D)mm
2-3/4(W) × 2-3/16(H) × 4-15/16(D)in.
- Weight 450g/1lb
- Sampling System 12 bit Linear
- Sampling Rate 70 kHz



ADJUSTMENT

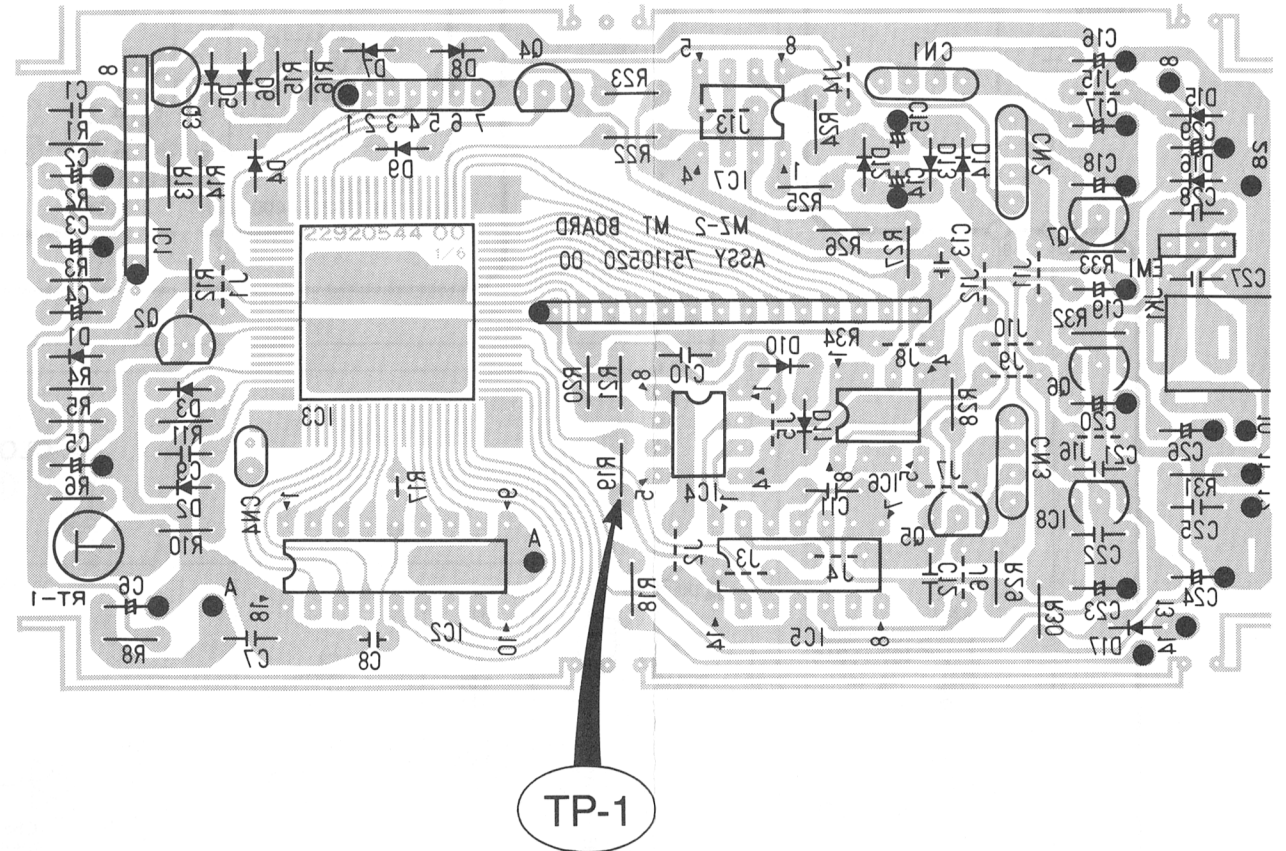
CLOCK FREQUENCY

1. Set MODE knob to SGL position (or any position except for CHO I and CHO II).
2. Connect a frequency counter to TP-1 (on MT board). (See Circuit Diagram.)
3. Adjust RT-1 (on MT board) for 70kHz.

調整仕様

クロック周波数

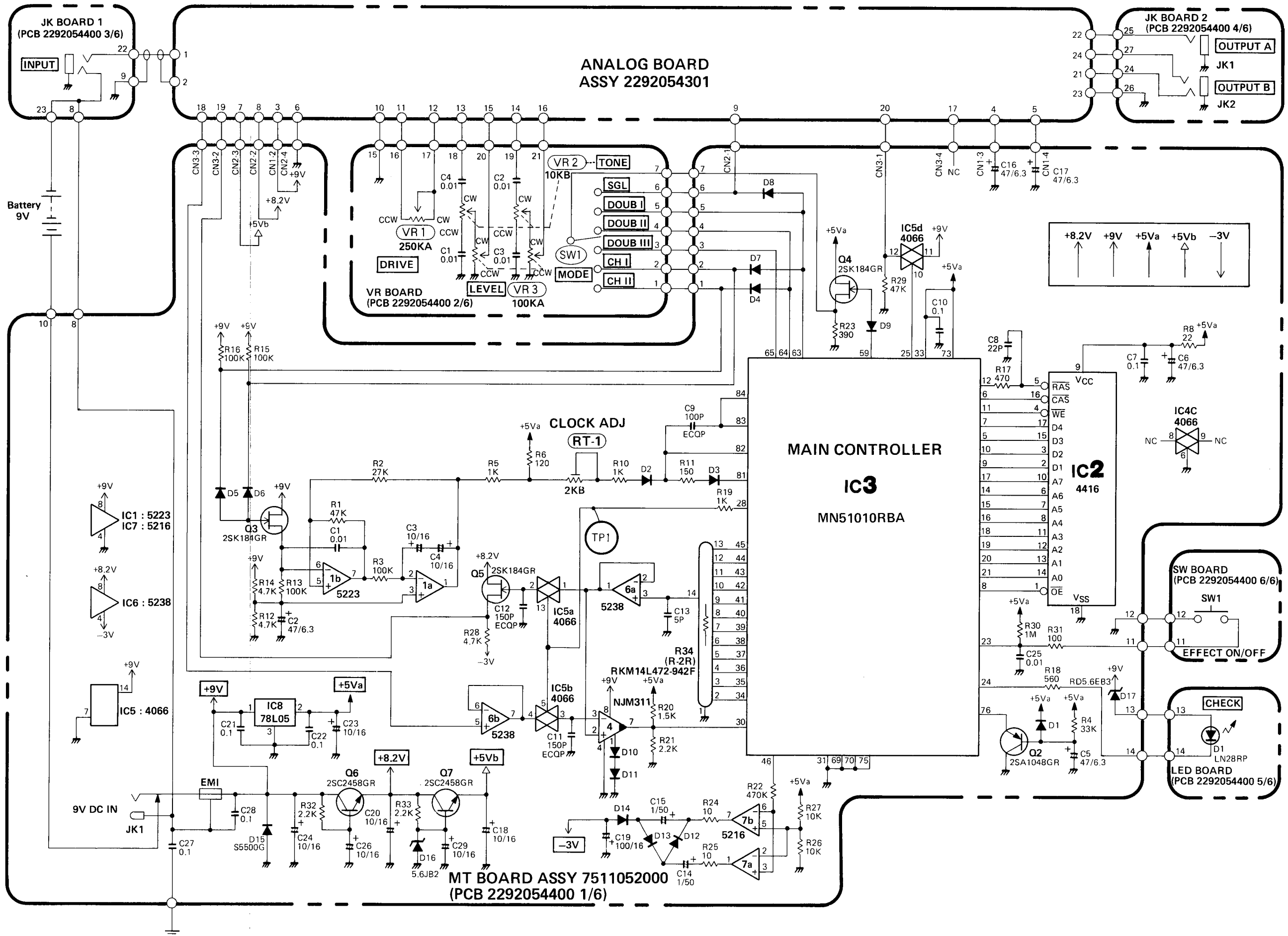
1. MODEつまみをSGLの位置にセットする。(CHO I、CHO II以外の位置であれば良い。)
2. TP-1 (MT基板)に周波数カウンタを接続する。(回路図参照)
3. 周波数が70kHzになる様にTR-1 (MT基板上)を調整する。



1 2 3 4 5 6 7 8 9 10 11 12 13 14 15 16 17 18 19 20 21 22 23 24 25 26 27 28 29 30 31 32 33 34 35 36 37 38 39

CIRCUIT DIAGRAM

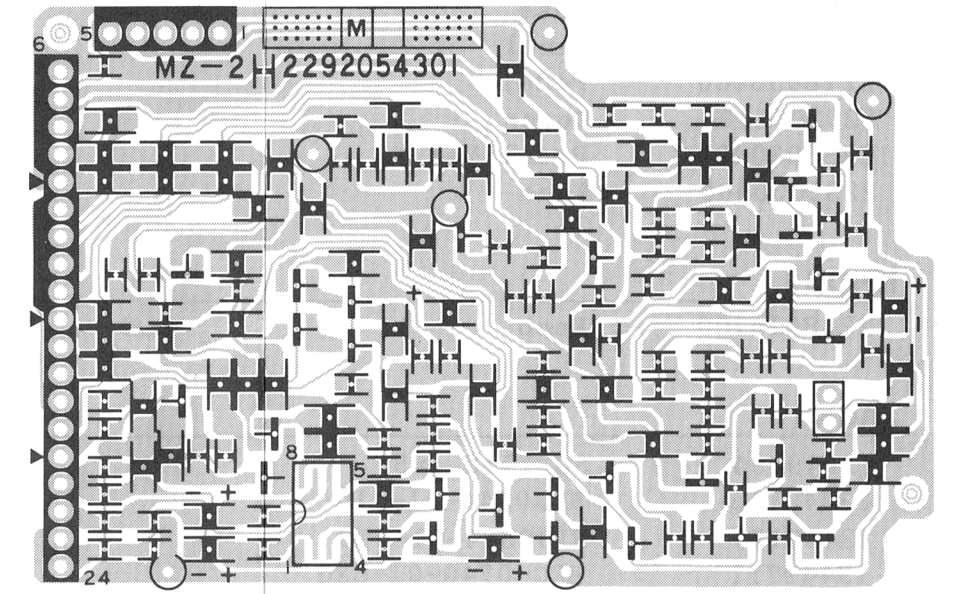
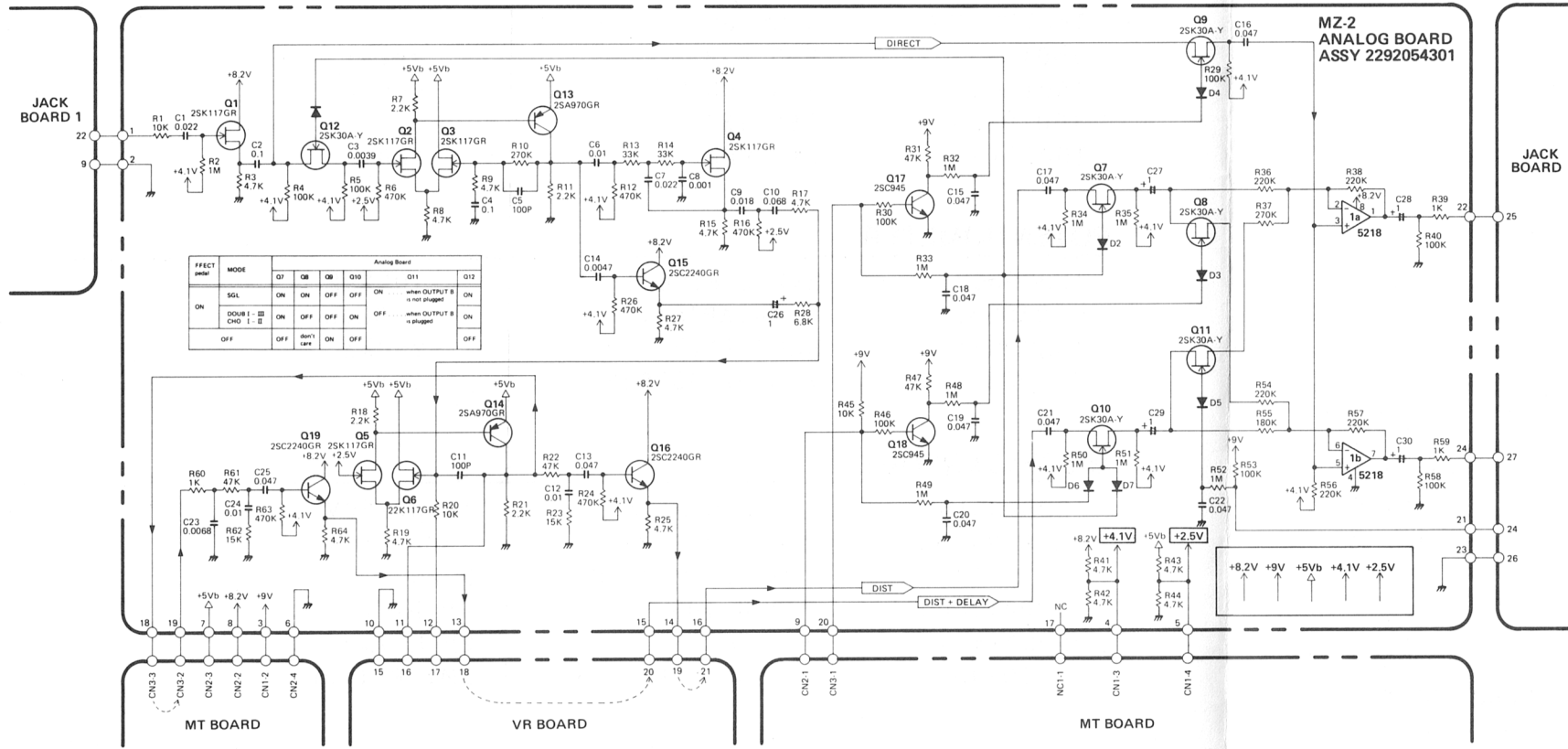
A
B
C
D
E
F
G
H
I
J
K
L
M
N
O
P
Q
R
S
T
U



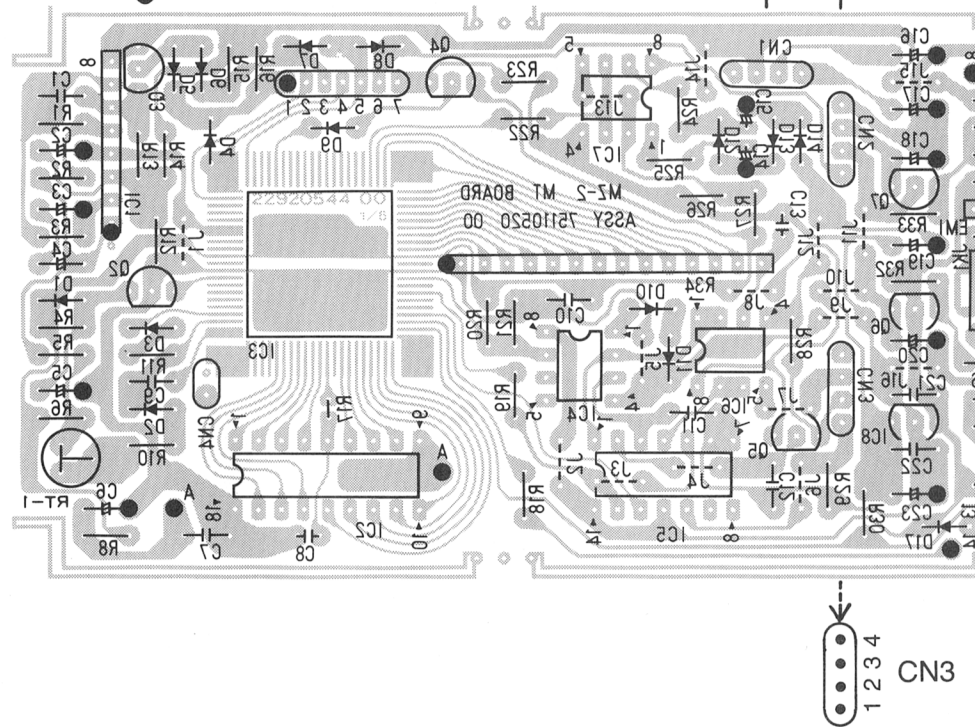
1 2 3 4 5 6 7 8 9 10 11 12 13 14 15 16 17 18 19 20 21 22 23 24 25 26 27 28 29 30 31 32 33 34 35 36 37 38

A
B
C
D
E
F
G
H
I
J
K
L
M
N
O
P
Q
R
S
T
U

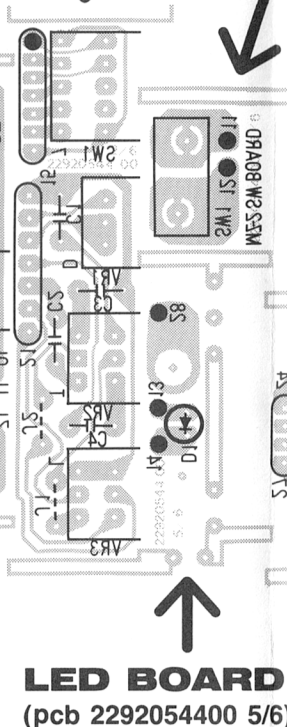
ANALOG BOARD ASSY 2292054301



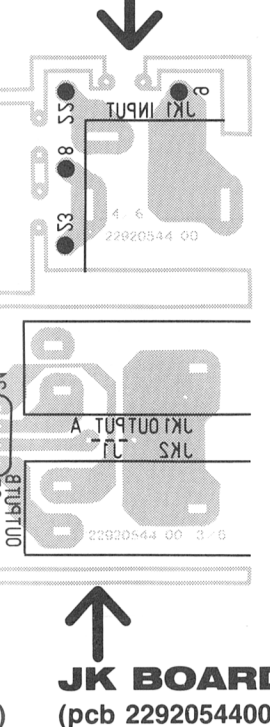
MT BOARD
ASSY 751105220
(pcb 2292054400 1/6)



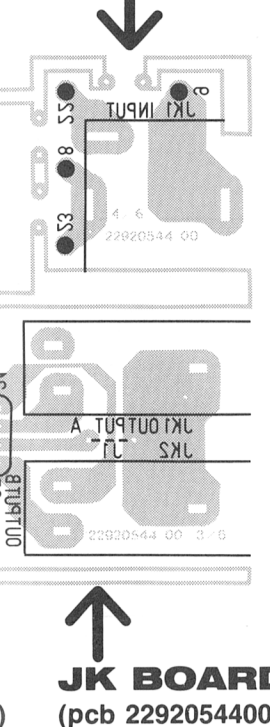
VR BOARD
(pcb 2292054400 2/6)



SW BOARD
(pcb 2292054400 6/6)

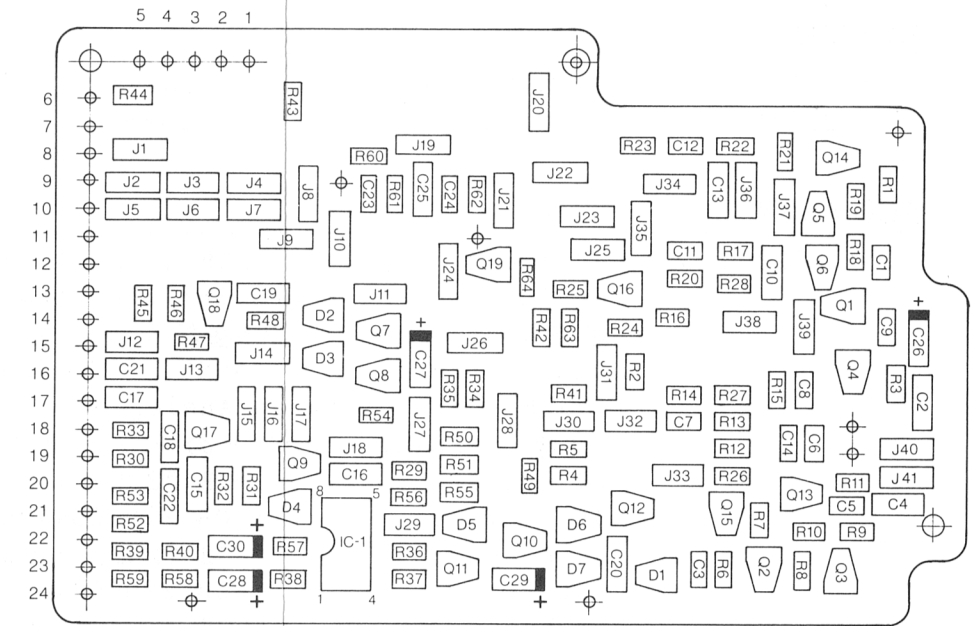


JK BOARD 2
(pcb 2292054400 4/6)



LED BOARD
(pcb 2292054400 5/6)

JK BOARD 1
(pcb 2292054400 3/6)



NOTE: Replacement MT board includes the following:
VR board, JK board 1, JK board 2, LED board,
SW board and ANALOG board.

注意：補修用MT boardは下記基板を含みます。
VR board, JK board 1, JK board 2, LED board,
SW board, ANALOG board.

PARTS LIST**CASING**

2201021500	Case
2221058400	Panel
2218055800	Pedal
2202085100	Cover
2235030400	Pedal Mat
2235030500	Base

KNOB

2248014700	Knob	red
------------	------	-----

JACK

13449104	SG-7713 #5	INPUT
13449155	HLJ0544-01-110	OUTPUT A
13449150	HLJ0544-01-010	OUTPUT B
13449711	HEC-0740-01-630	9V DC IN

SWITCH

13119512	SRBM16	rotary	MODE
13129710	JM-0404	push	EFFECT ON/OFF

PCB ASSY

7511052000	MT Board (PCB 2292054400 1/6)
Replacement MT Board includes the following 6 boards.	
補修用MT Boardは下記6基板を含みます。	
Analog Board (ASSY 2292054301)	
NOTE: Chip parts on Analog board are not available.	
注意: Analog board 上のチップ部品は供給されません。	
VR Board (PCB 2292054400 2/6)	
JK Board 1 (PCB 2292054400 3/6)	
JK Board 2 (PCB 2292054400 4/6)	
LED Board (PCB 2292054400 5/6)	
SW Board (PCB 2292054400 6/6)	

IC

15229875	MN51010RBA BOS-008	gate array
15179376	MB81416-10	4x16k DRAM
15189193	M5238P	op-Amp
15189185	M5223L	op-Amp
15189183	M5216P	op-Amp
15189111J1	NJM311D	comparator
15159115H0	HD14066BP	analog switch
15199144	upc78L05J	voltage regulator

TRANSISTOR

15119149	2SA1048GR	PNP
15129185	2SC2458GR	NPN
15139131	2SK-184-GR	FET

DIODE

15019209T0	S-5500G		
15019303	RD5.6JB-2	zener	
15019526	RD5.6EB-3	zener	
15019125	1SS-133		
15029198	LN-28RP	LED	CHECK

POTENTIOMETER

13279853	EVZNCAP15B14	10kx2	TONE
13279852	EVZNCAP15A15	100kAx2	LEVEL
13279851	RK0971110	250kA	DRIVE
13299216	EVN-5ACA00B23	2kB	RT-1

MISCELLANEOUS

13589331M0	ECQ-P1H101JZ	100pF/50V
13589330M0	ECQ-P1H151JZ	150pF/50V
13919175	RKM14L472-942F	R-2R
2220011800	PCB Holder	4P h=7mm
2220014500	PCB Holder	2P h=7mm
13529145	DSS306-55FZ103N	EMI Filter