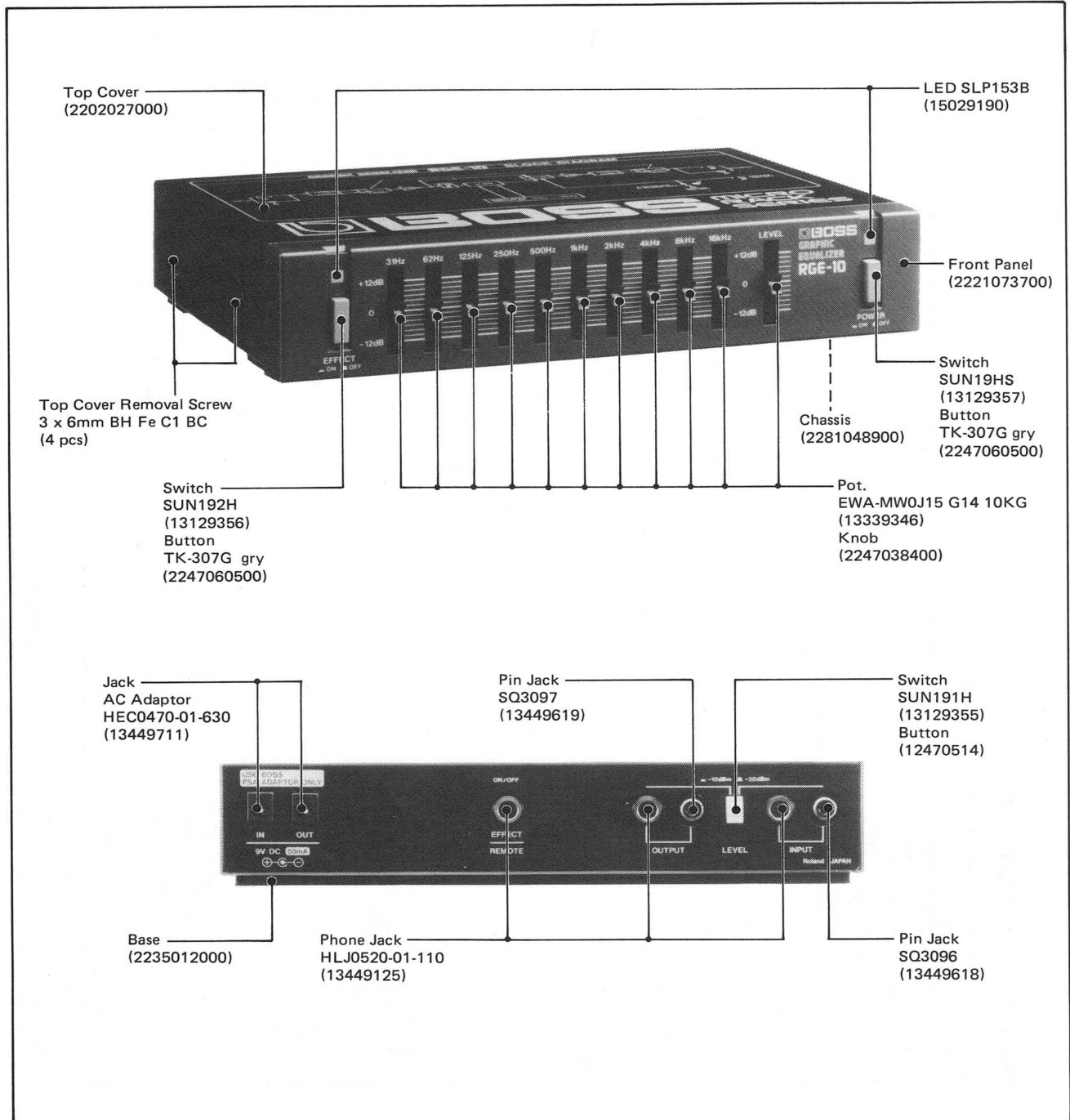


BOSS RGE-10 SERVICE NOTES

First Edition

SPECIFICATIONS

- Power : 9V DC (BOSS PSA-100, 120, 220 or 240)
- Current Draw : 50mA
- Dimensions : 218(W) x 46(H) x 160(D)mm/
: 8-9/16"(W) x 1-13/16"(H) x 6-5/16"(D)
- Weight : 900g / 2 lb



A B C D E F G H I J K L M N O P Q R S T U

MT BOARD 74124520

(pcb 2292017100)

Replacement PCB : Supplied in a set of VR/MT boards

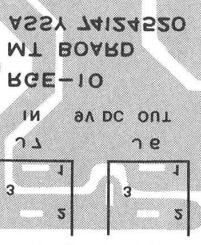
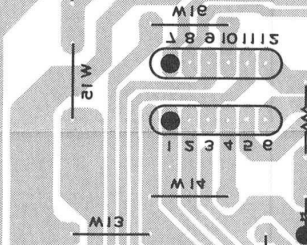
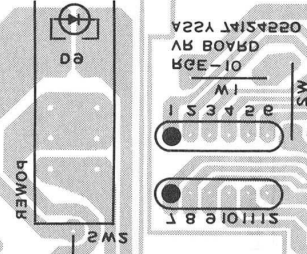
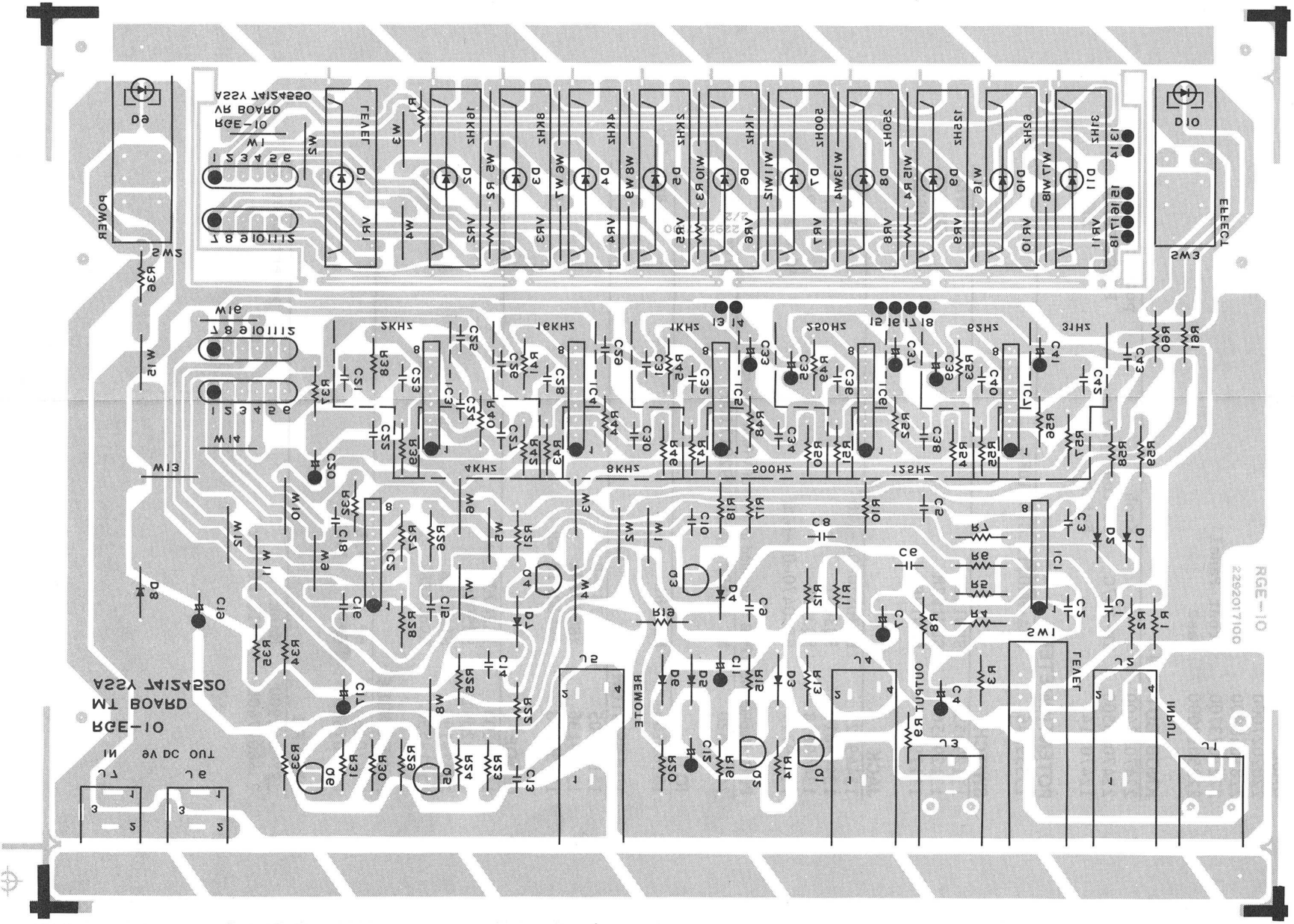
VR BOARD 74124550

(pcb 2292017100 2/2)

2

RGE-10

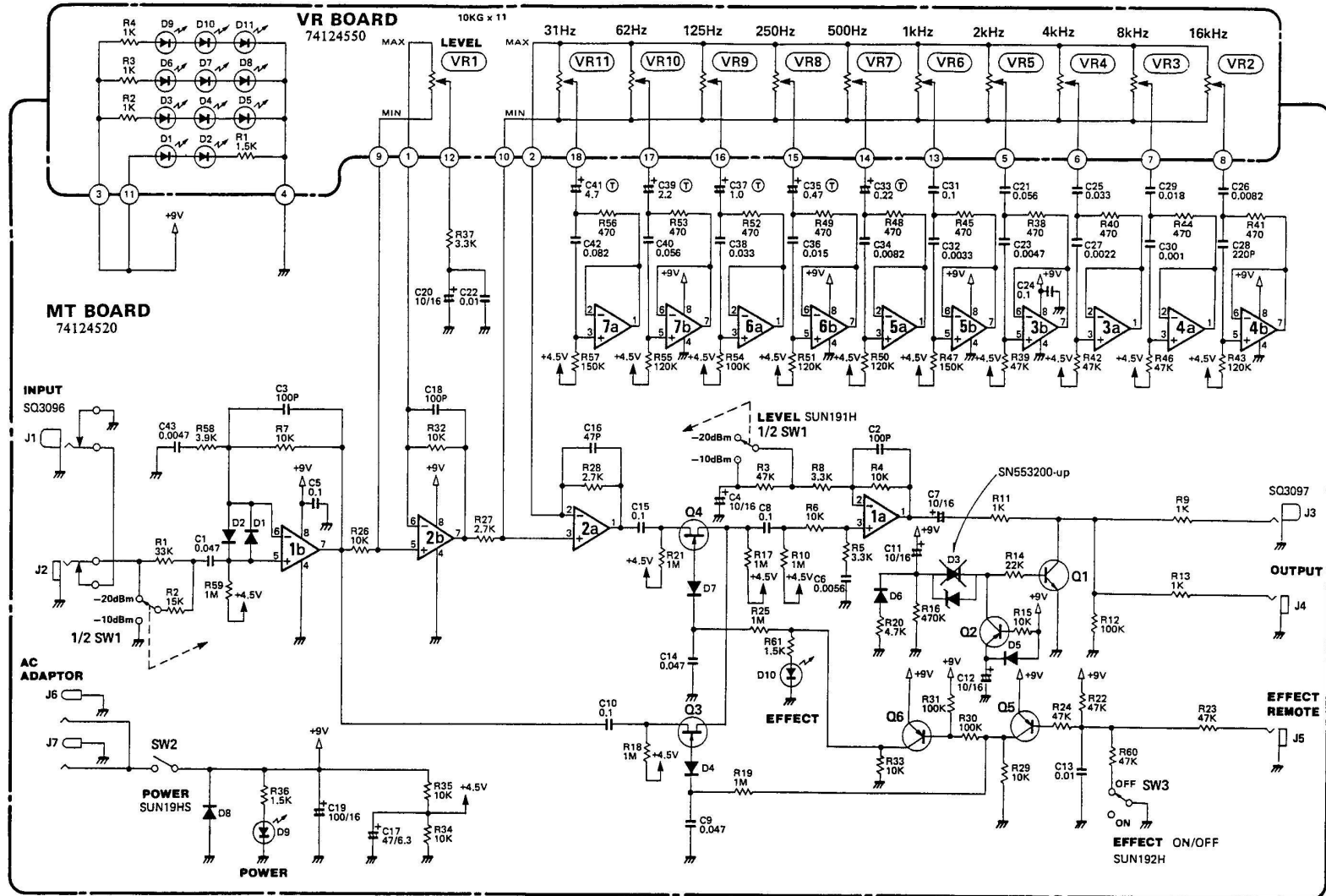
1 2 3 4 5 6 7 8 9 10 11 12 13 14 15 16 17 18 19 20 21 2



MT BOARD 74124520
(pcb 2292017100)

View from foil side

CIRCUIT DIAGRAM



- | | | |
|--------------------|-----------------------|--------------------------|
| IC1-7 :M5218L | D1,2,4-7 :1S2473 | J2, 4, 5 :HLJ0520-01-110 |
| Q1 :2SC2878A | D3 :RD6.8EB2 | J6, 7 :HEC0470-01-630 |
| Q2, 5, 6 :2SA733-P | D8 :S5500G | VR1-11:EWA-MWUJ15G14 |
| Q3, 4 :2SK30ATM-GR | D9, 10 :SLP153B (LED) | 10KG |
| | | Ⓣ :Tantalum bead |

PARTS LIST

CASE

2202027000	Top Cover
2281048900	Chassis
2221073700	Front Panel
2235012000	Base

KNOB, BUTTON

2247038400	Knob	potentiometer
2247060500	TK-307G Button gry	POWER,EFFECT
12470514	Button	LEVEL

POTENTIOMETER

13339346	EWA-MWOJ15 G14 10KG	w/LED
----------	---------------------	-------

SWITCH

13129355	SUN191H	LEVEL
13129356	SUN192H	EFFECT
13129357	SUN19HS	POWER

JACK

13449125	HLJ0520-01-110	phone
13449619	SQ3097	pin
13449618	SQ3096	pin
13449711	HEC0470-01-630	AC adaptor

PCB Replacement PCB : Supplied in a set of VR/MT boards

74124520	MT BOARD (pcb 2292017100)	w/VR BOARD
----------	---------------------------	------------

IC

15189136	M5218L	OP amp
----------	--------	--------

TRANSISTOR

15119105	2SA733-P	
15129136	2SC2878A	
15139103	2SK30ATM-GR	FET

DIODE

15019103	1S2473	
15019209T0	S5500G	
15029190	SLP153B	LED
15019530	RD6.8EB2	zener

FLAT CABLE

2347016500	6P	95L
2347016600	6P	110L

OTHERS

2224052900	Mask	potentiometer
2348017400	Mold DC Cord	