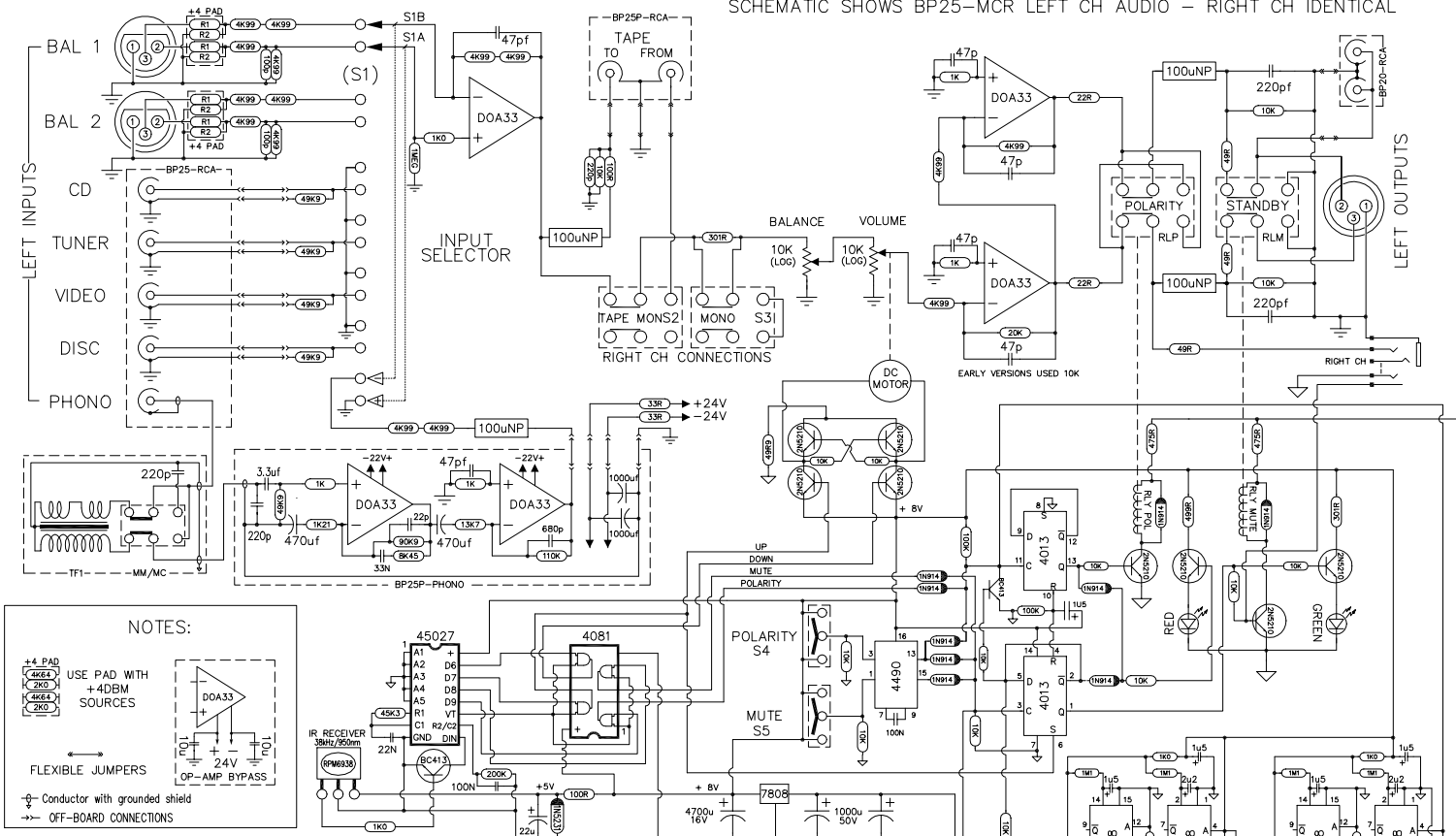
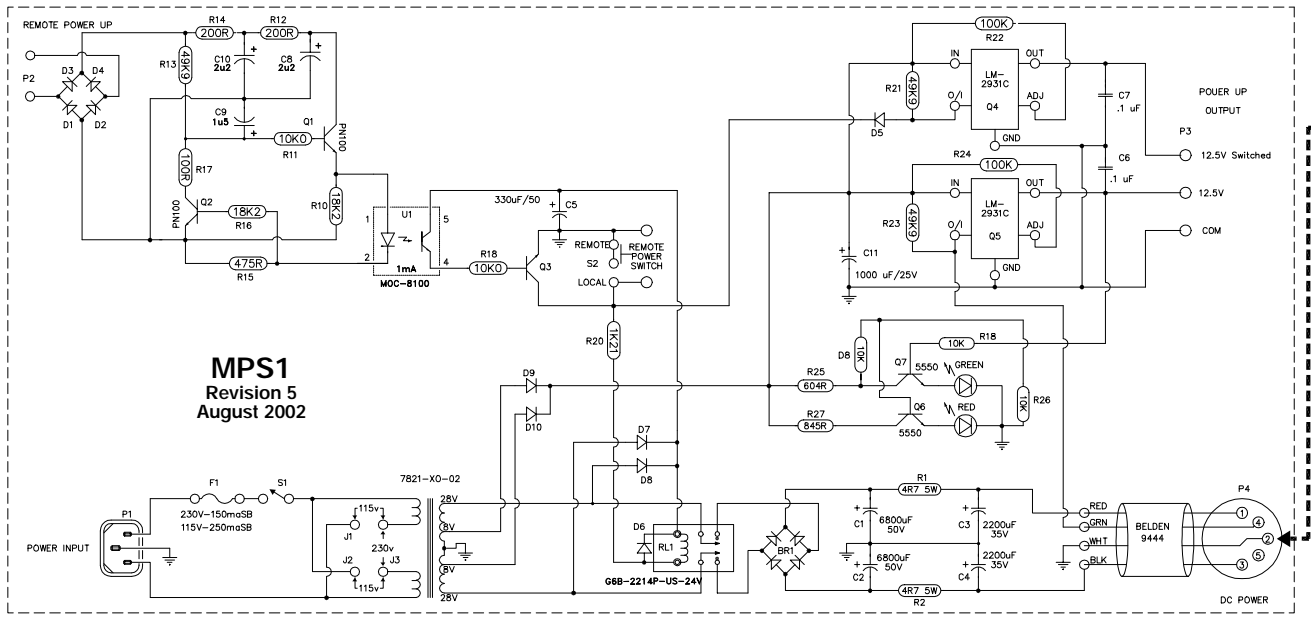


SCHEMATIC SHOWS BP25-MCR LEFT CH AUDIO - RIGHT CH IDENTICAL



NOTES:

- +4 PAD: USE PAD WITH +4DBM SOURCES
- FLEXIBLE JUMPERS
- Conductor with grounded shield
- OFF-BOARD CONNECTIONS



MPS1
Revision 5
August 2002

REVISION HISTORY

Rev 1.5e 17 Aug 2000 WP IR receiver replaced with updated part RPM6938 (Rohm)	Rev 1.8 2004-04-08 WP Updated PSU schematic and corrected phono input adding 220pf cap.
Rev 1.6 09 Aug 2001 ST HEADPHONE MUTE WIRING SHOWN	
Rev 1.61 26 Sept 01 WP 20n cap in RC receiver (45027) replaced with 22n and the 49K9 in parallel with it is chg'd to 45K3. Two 1000u/50v caps on output of 5v regulator replaced with single 2200u/35v cap.	
Rev 1.6A 15 APRIL 02 ST ADD 1MEG TO + BUFFER INPUT	
Rev 1.7 1 Aug 03 WP Corrected dwg error to gnd'ng at selector switch inputs	