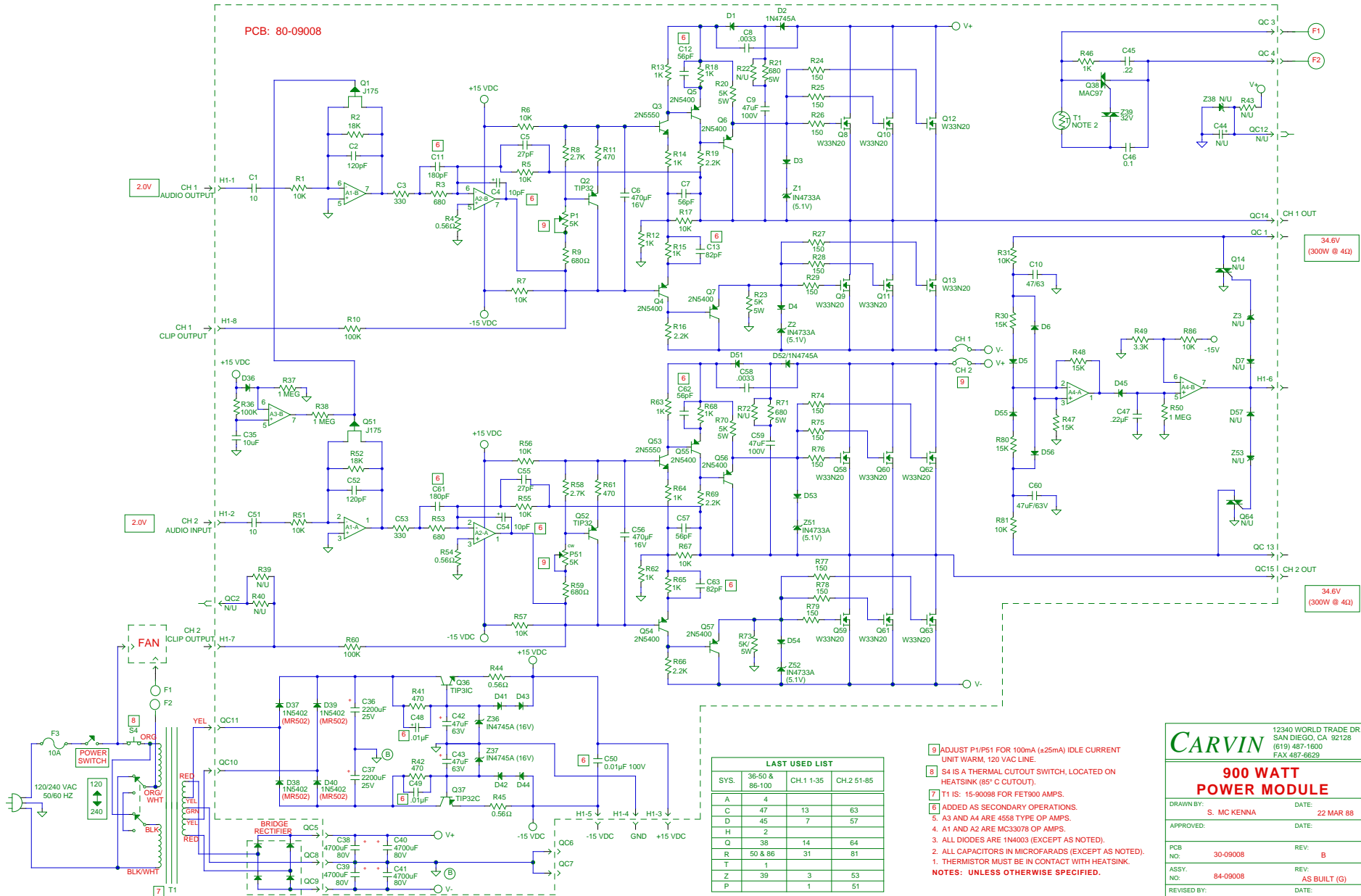


PCB: 80-09008



LAST USED LIST			
SYS.	36-50 & 86-100	CH 1 1-35	CH 2 51-85
A	4		
C	47	13	63
D	45	7	57
H	2		
Q	38	14	64
R	50 & 86	31	81
T	1		
Z	39	3	53
P		1	51

- [8] ADJUST P1/P51 FOR 100mA (+25mA) IDLE CURRENT UNIT WARM, 120 VAC LINE.
 - [7] T1 IS: 15-90098 FOR FT900 AMPS.
 - [6] ADDED AS SECONDARY OPERATIONS.
 - 5. A3 AND A4 ARE 4558 TYPE OP AMPS.
 - 4. A1 AND A2 ARE MC33078 OP AMPS.
 - 3. ALL DIODES ARE 1N4003 (EXCEPT AS NOTED).
 - 2. ALL CAPACITORS IN MICROFARADS (EXCEPT AS NOTED).
 - 1. THERMISTOR MUST BE IN CONTACT WITH HEATSINK.
- NOTES: UNLESS OTHERWISE SPECIFIED.**

CARVIN

12340 WORLD TRADE DR.
SAN DIEGO, CA 92128
(619) 487-1600
FAX 487-6629

**900 WATT
POWER MODULE**

DRAWN BY: **S. MC KENNA** DATE: **22 MAR 88**

APPROVED: _____ DATE: _____

PCB NO: **30-09008** REV: **B**

ASSY. NO: **84-09008** REV: **AS BUILT (G)**

REVISED BY: _____ DATE: _____

LAST SCHEMATIC UPDATE 4APR96