

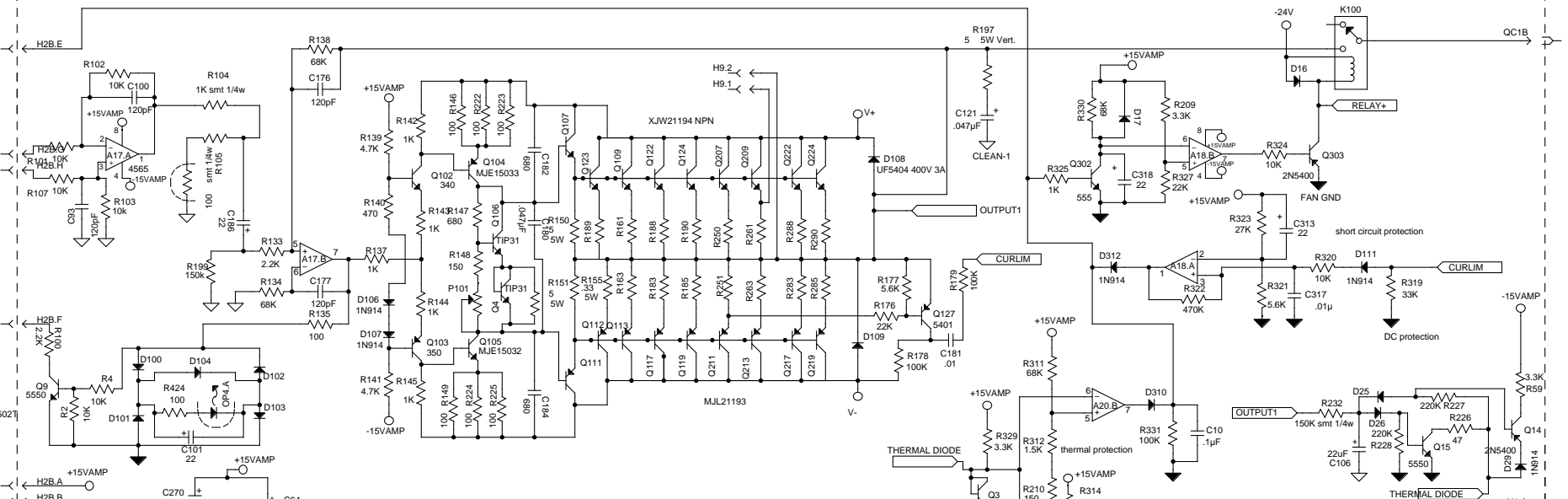
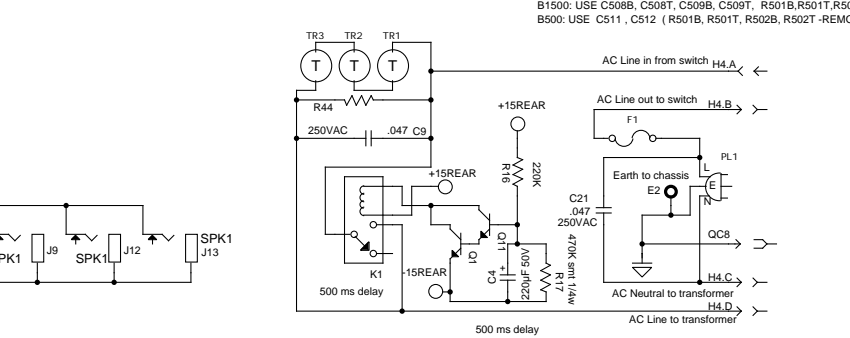
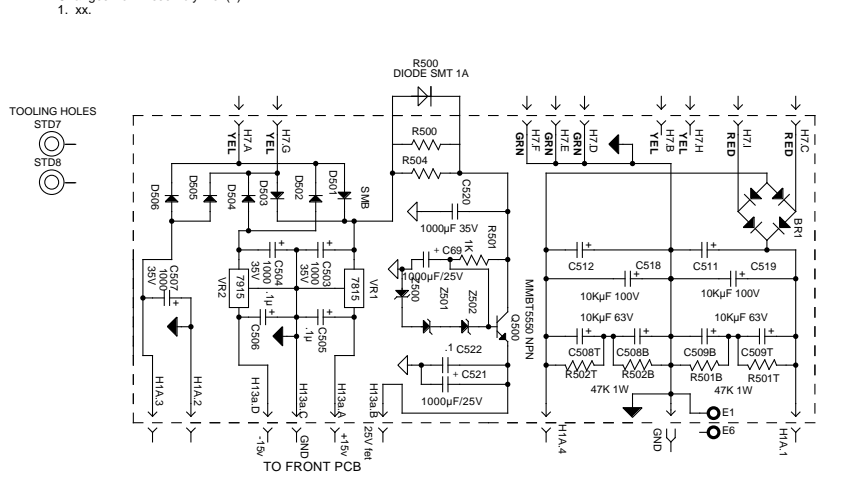
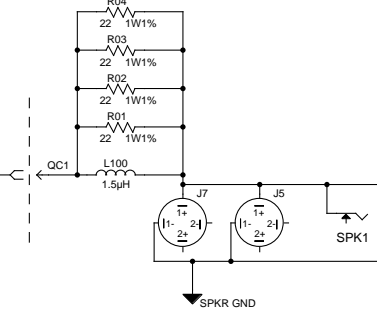
4. ADDED AS SECONDARY OPERATION.  
 2. ALL CAPACITORS IN MICROFARADS, EXCEPT AS NOTED.  
 1. ALL RESISTORS IN OHMS
- NOTES: UNLESS OTHERWISE SPECIFIED.

**CARVIN**  
**B1500**  
**System Master**

DRAWN BY: GEORGE DREYER DATE: 19DEC01  
 APPROVED: DATE:  
 PCB NO: 30-41500 REV: C  
 ASSY: 80-40500 REV: 001  
 NO: 80-41500 REV: 001  
 REVISED BY: E. PETERSEN DATE: 05DEC03

12340 World Trade Drive  
 San Diego, CA 92128  
 (858) 487-1600  
 FAX 487-6629

- CHANGES FOR LR400 ASSEMBLY: 8-00400  
 1. Add Q11x0, Q2x10 (Type: MJL 21194).  
 2. Add Q114, Qx4 (Type: MJL 21193).



- B500 USES THE FOLLOWING DEVICES:  
 21194- Q107, Q109, Q209, Q222  
 21193- Q111, Q113, Q211, Q213  
 R150, R151 (5 )  
 R161, R163, R251, R261, R263, R288 (0.33 )

