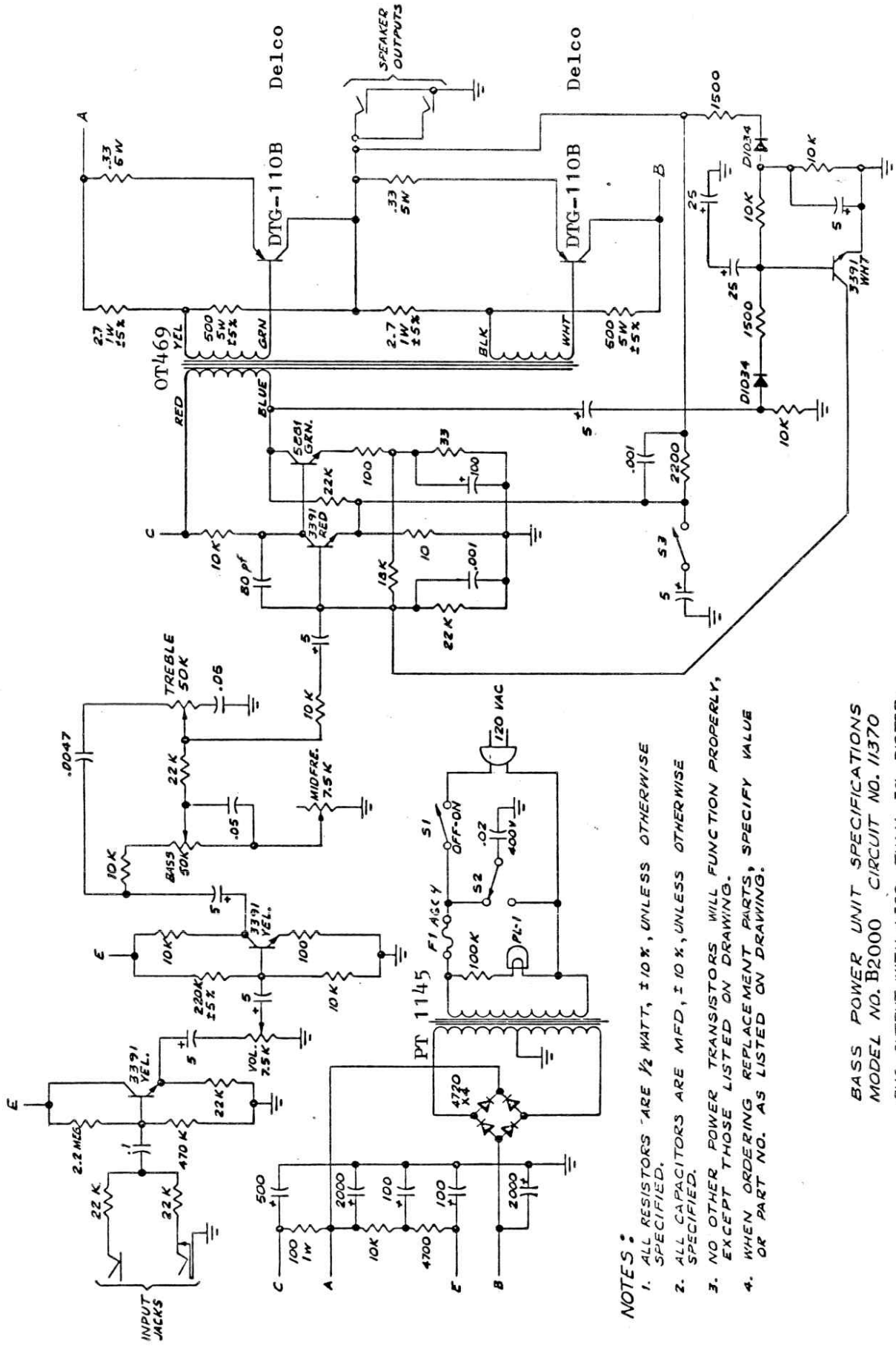


- NOTES:**
1. ALL RESISTORS ARE 1/2 WATT, ±10%, UNLESS OTHERWISE SPECIFIED.
  2. ALL CAPACITORS ARE MFD, ±10%, UNLESS OTHERWISE SPECIFIED.
  3. NO OTHER POWER TRANSISTORS WILL FUNCTION PROPERLY, EXCEPT THOSE LISTED ON DRAWING.
  4. WHEN ORDERING REPLACEMENT PARTS, SPECIFY VALUE OR PART NO. AS LISTED ON DRAWING.

B2000

MINIMUM SPEAKER IMPEDANCE: 4 OHMS  
 INPUT IMPEDANCE: 25K - 100K OHMS  
 INPUT SENSITIVITY: 28 MV @ 1.5KHz

Replacement  
 Power Transistors  
 for All Amplifiers,  
 Deleco #DTG110B or  
 Motorola #HEP236



Replacement  
Power Transistors  
for All Amplifiers.  
Delco #DTG110B or  
Motorola #HEP236

- NOTES:**
1. ALL RESISTORS ARE 1/2 WATT, ±10%, UNLESS OTHERWISE SPECIFIED.
  2. ALL CAPACITORS ARE MFD, ±10%, UNLESS OTHERWISE SPECIFIED.
  3. NO OTHER POWER TRANSISTORS WILL FUNCTION PROPERLY, EXCEPT THOSE LISTED ON DRAWING.
  4. WHEN ORDERING REPLACEMENT PARTS, SPECIFY VALUE OR PART NO. AS LISTED ON DRAWING.

BASS POWER UNIT SPECIFICATIONS  
MODEL NO. B2000 CIRCUIT NO. 11370  
RMS OUTPUT WITH LESS THAN 3% DISTORTION: 110 WATTS @ 4 OHMS  
MINIMUM SPEAKER IMPEDANCE: 4 OHMS  
INPUT IMPEDANCE: 25K - 100K OHMS  
INPUT SENSITIVITY: 28 MV @ 1.5 KHz