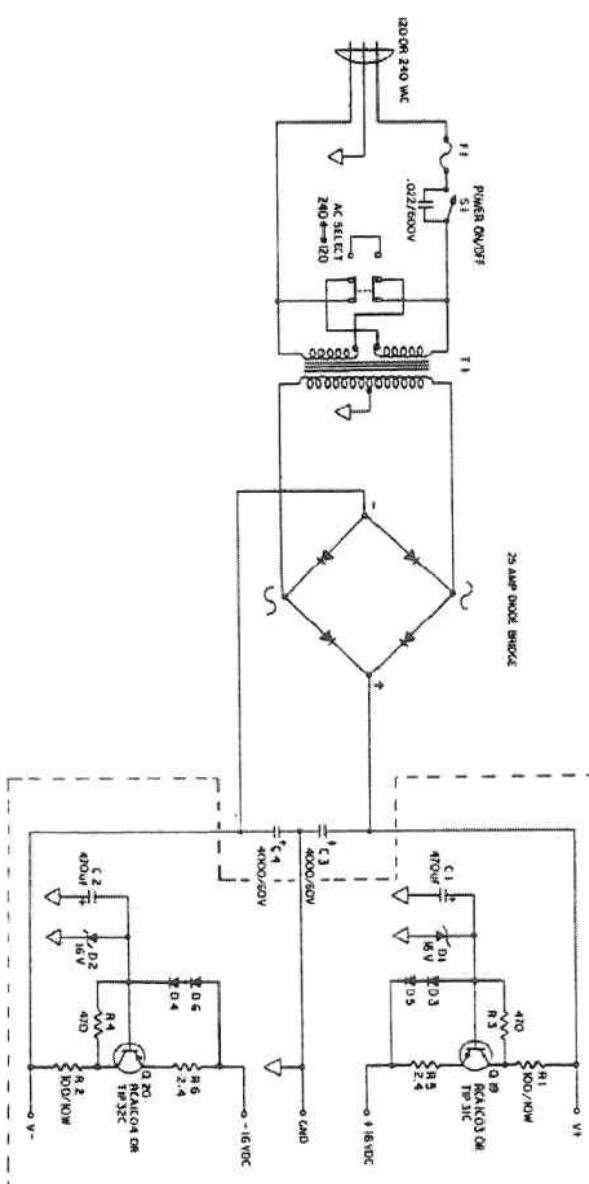
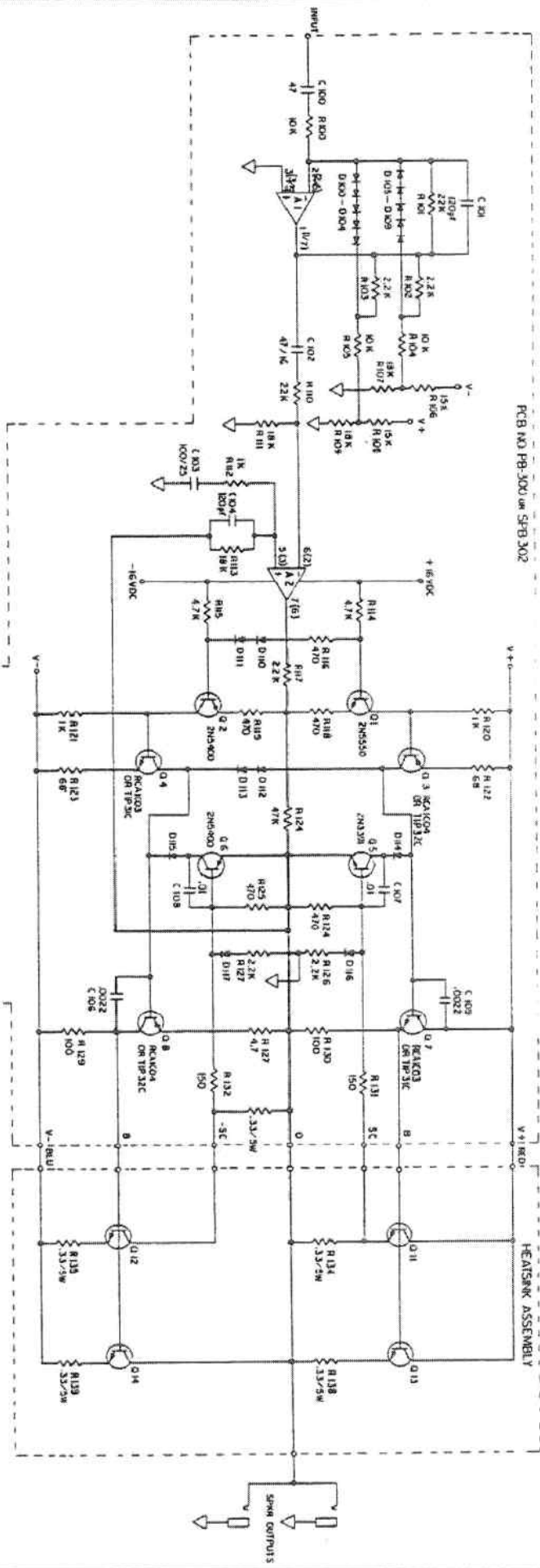


PCB NO. PB-300 OR SPB-302

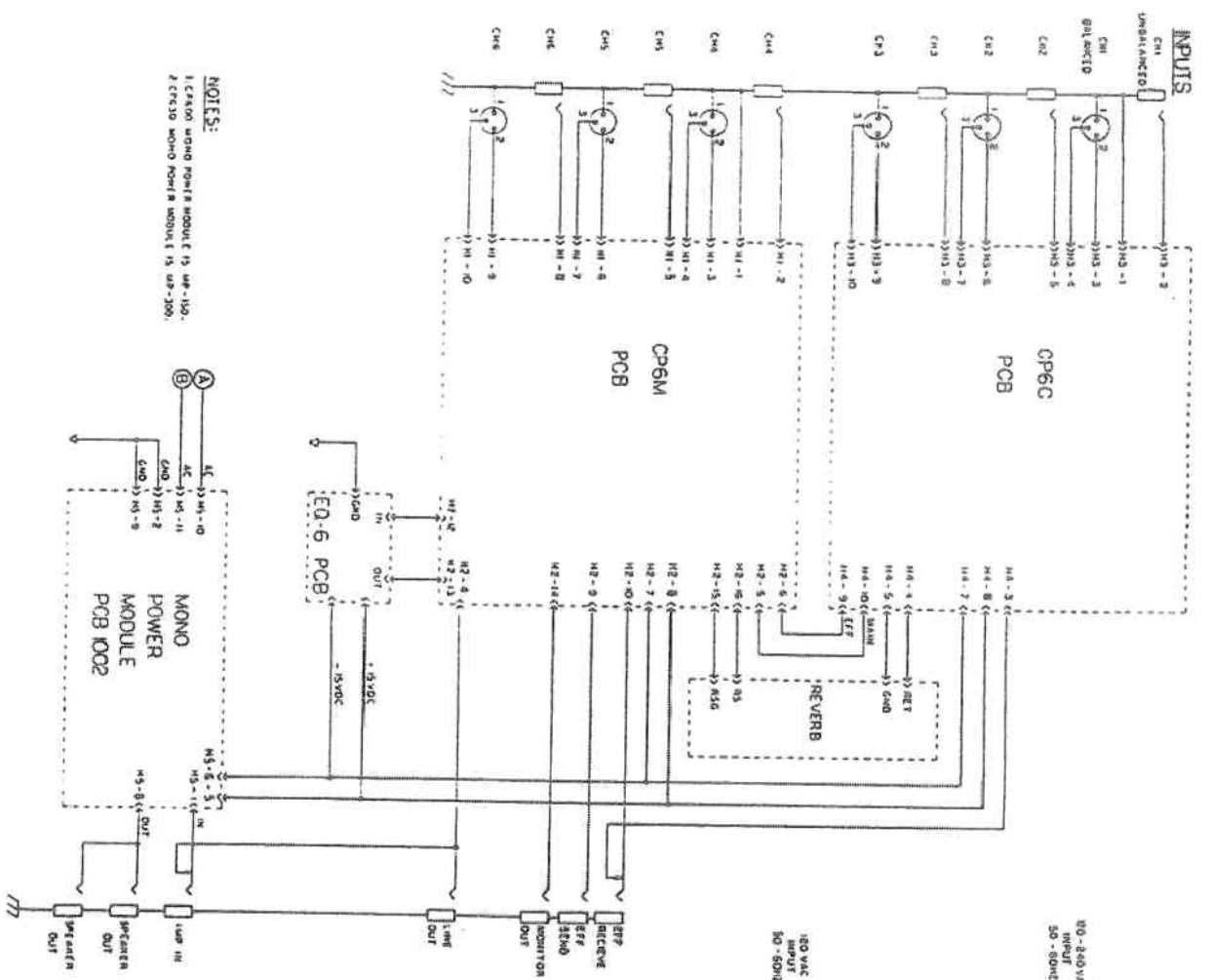


PRODUCT TYPE	PRODUCT MODEL NO.	T1 PART NO.	SUPPLY VOLTAGE	NO. CH'S	NO. OUTPUT DEVICES PER CH.
WTR	CAP-501	PT150-2408	±45VDC	1	4
	CPR-1201	PT184-2408	±25	2	4
	SPB-302	PT180-2408	±25	2	4
	CP-500	PT180-2408	±25	2	4
	CP-530	PT180-2408	±25	2	4
BASS AMP	PB-300	PT180-2408	±45	2	4
LEAD AMP	PB-300	PT180-2408	±25	2	4
	PB-300	PT184-2408	±25	2	4

SYMBOL	TEST LIST
C	A1
C	C89
D	D10
D	D12
D	D13
R	R100
R	R141

0.1-0.14 ARE K15003  
 ALL DOZES ARE IN003  
 ALL AM Z INPUTS SHOW RSN MODEL P 200 WITH  
 MODEL SP302 PRODUCTS IN PARALLEL (CH/CHB)  
 ALL CAPACITOR VALUES IN MICROFARADS  
 UNLESS OTHERWISE NOTED

CARVIN 155 INDUSTRIAL AVE  
 ESCROW DIVISION, CA 92025  
 HIGHER BE Fisher & M...  
 MONO AND STEREO POWER AMPS  
 MODELS P300 AND SP302

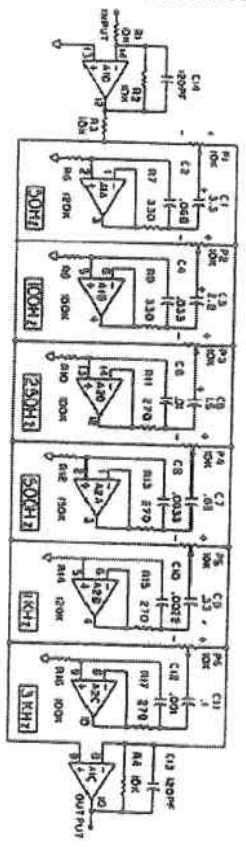


**NOTES:**

1. CHECK MONO POWER MODULE IS MP-110.

2. CHECK MONO POWER MODULE IS MP-200.

**EQ-6 PCB**



**CARVIN** 118 INDUSTRIAL AVENUE  
ALBANY, N.Y. 12212

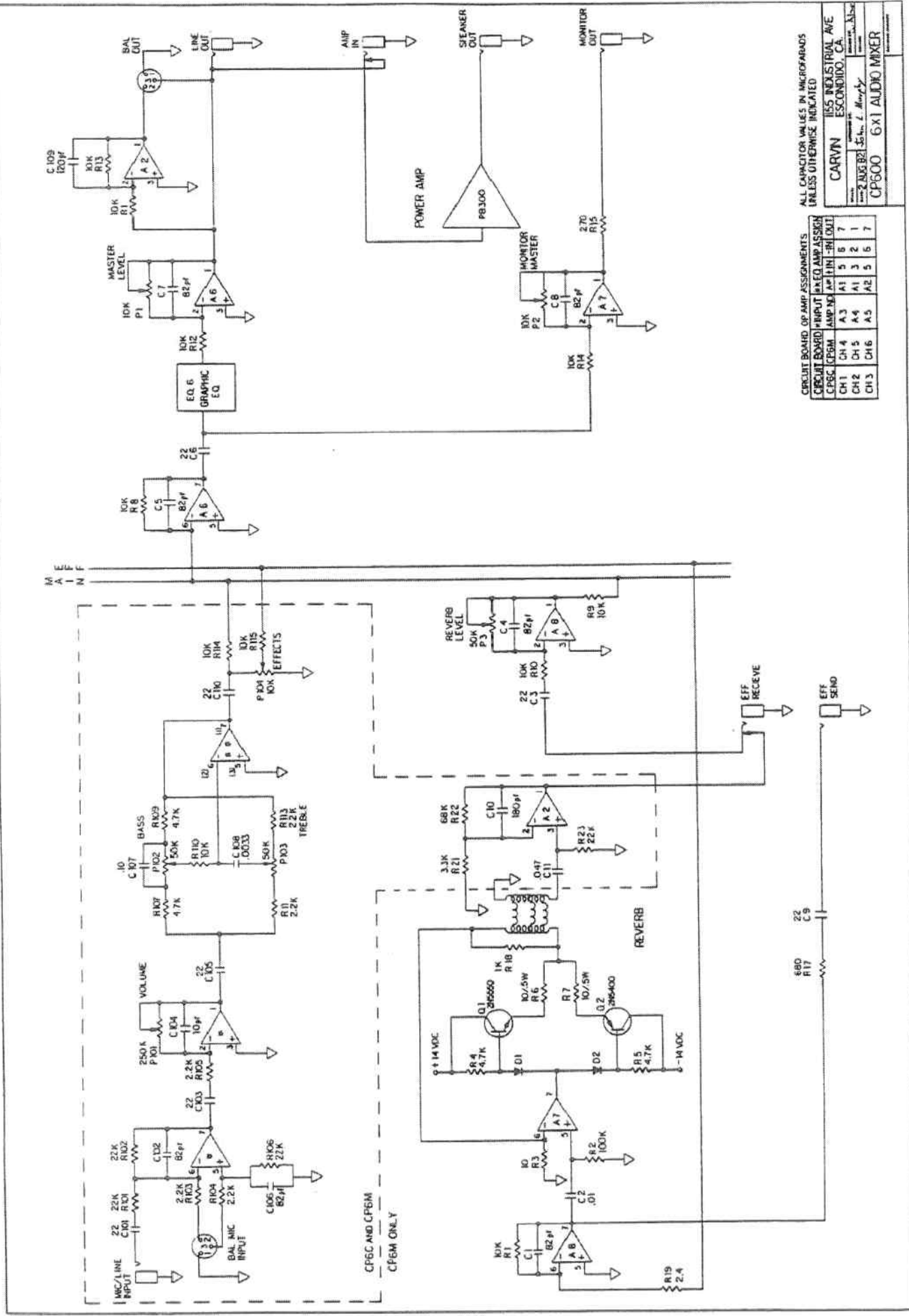
**CP600, 630**

**SYSTEM INTERCONNECT**

DESIGNED BY: E. L. ALLEN  
DRAWN BY: J. C. MURPHY  
CHECKED BY: J. C. MURPHY  
DATE: 2/5/73

REV. 11 001173

2059



ALL CAPACITOR VALUES IN MICROFARADS UNLESS OTHERWISE INDICATED

CIRCUIT BOARD OP AMP ASSIGNMENTS

CPC5C (CP5M)	INPUT	OP. AMP.	ASSIGN
CH1	CH 4	A 3	A1 5 6 7
CH2	CH 5	A 4	A1 3 2 1
CH3	CH 6	A 5	A2 5 6 7

CARVIN 155 INDUSTRIAL AVE  
ESCONDIDO, CA  
2 AUG 82  
CP600 6x1 AUDIO MIXER

CP5C AND CP5M  
CP5M ONLY

680 R17  
22 C9

EFF RECEIVE

EFF SEND

M  
A  
I  
N