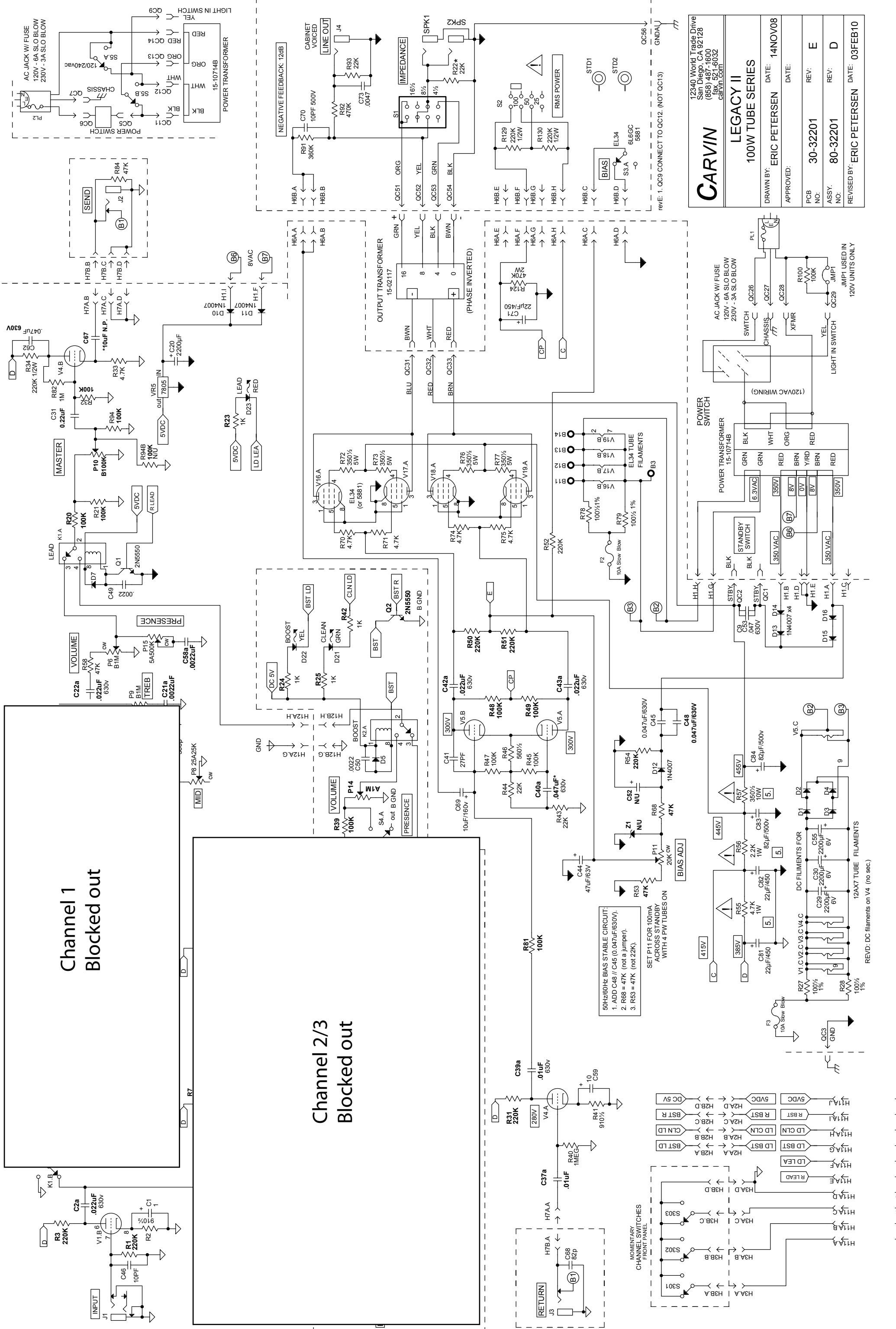


**Channel 1
Blocked out**

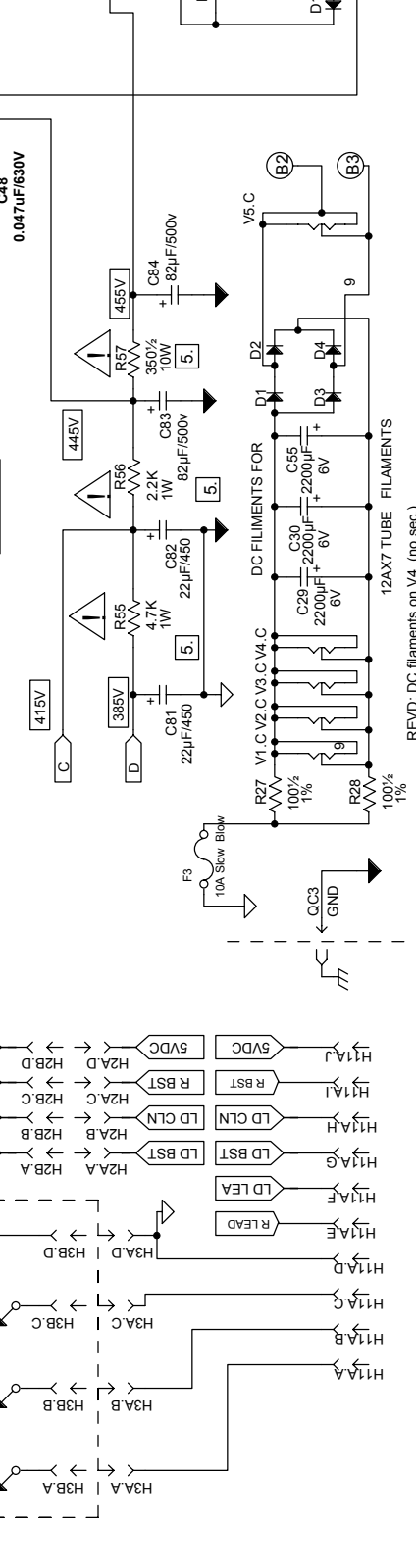
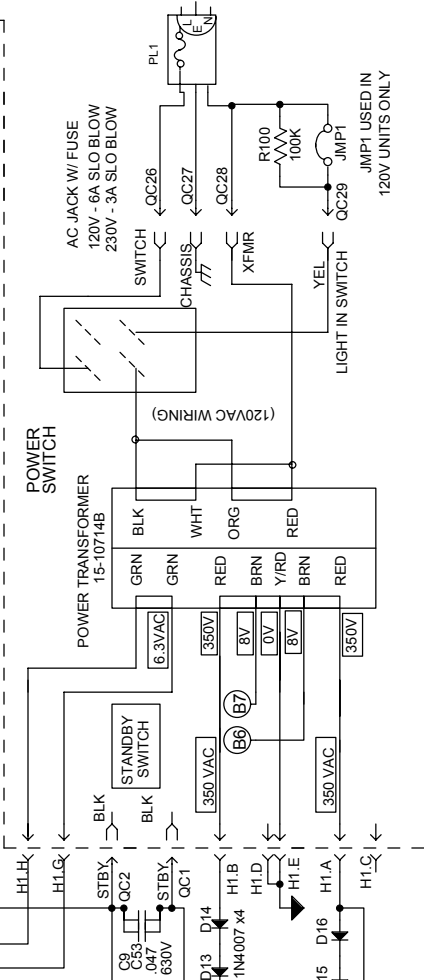
**Channel 2/3
Blocked out**



CARVIN
 12340 World Trade Drive
 San Diego, CA 92128
 (658) 487-1600
 fax 521-6032
 carvin.com

**LEGACY II
 100W TUBE SERIES**

DRAWN BY: ERIC PETERSEN DATE: 14NOV08
 APPROVED: DATE:
 PCB NO: 30-32201 REV: E
 ASSY NO: 80-32201 REV: D
 REVISED BY: ERIC PETERSEN DATE: 03FEB10



50Hz/60Hz BIAS STABLE CIRCUIT:
 1. ADD C48 // C45 (0.047uF/630V).
 2. R88 = 47K (not a jumper).
 3. R53 = 47K (not 22K).

SET P11 FOR 100mA ACROSS STANDBY WITH 4 PW TUBES ON

REV: DC filaments on V4 (no sec.)

