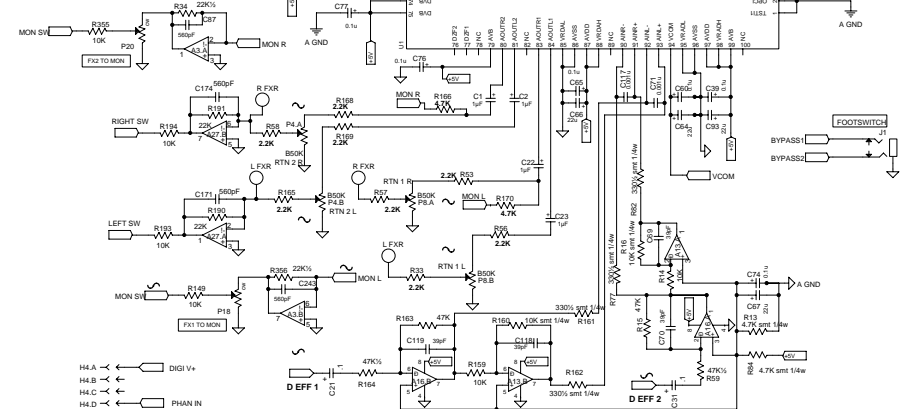
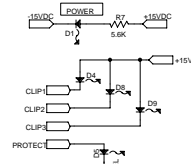
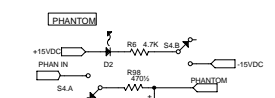


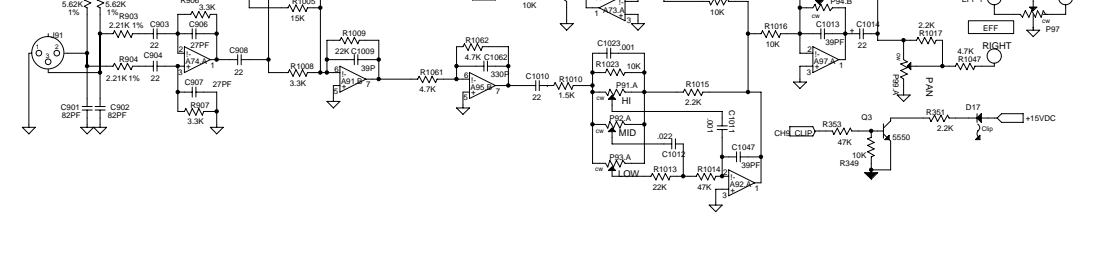
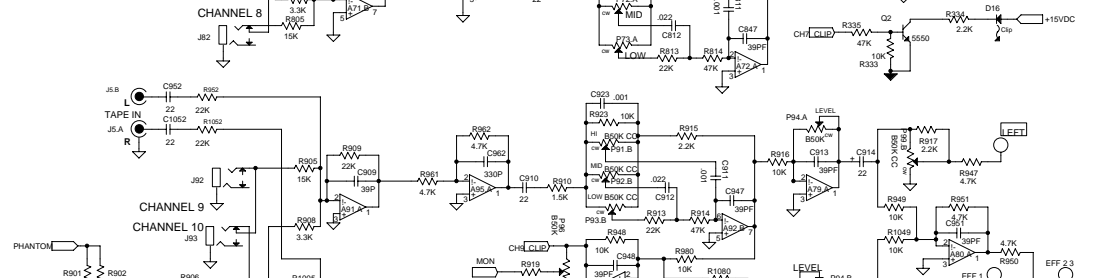
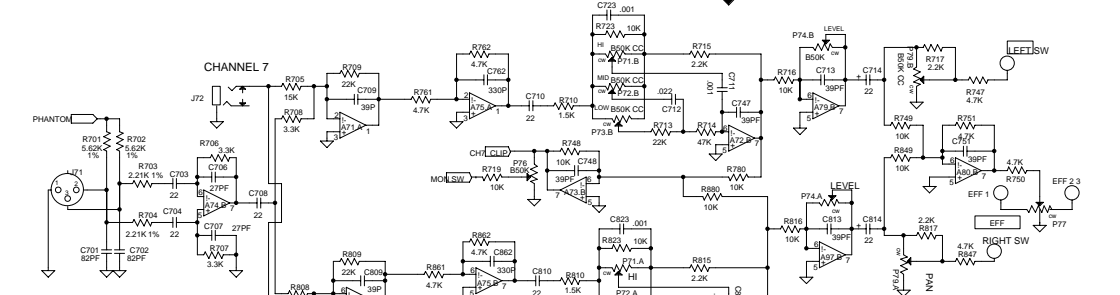
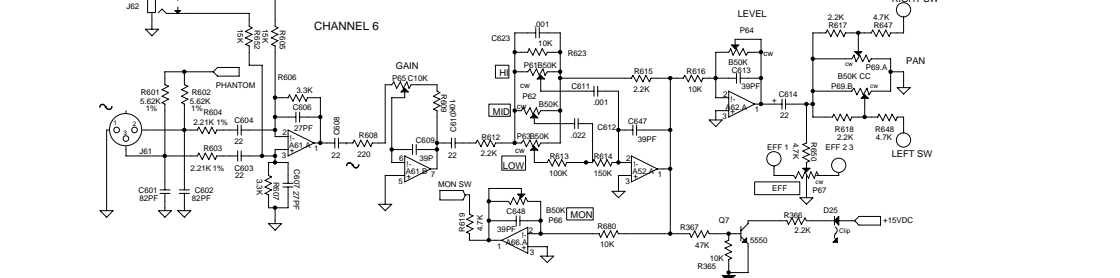
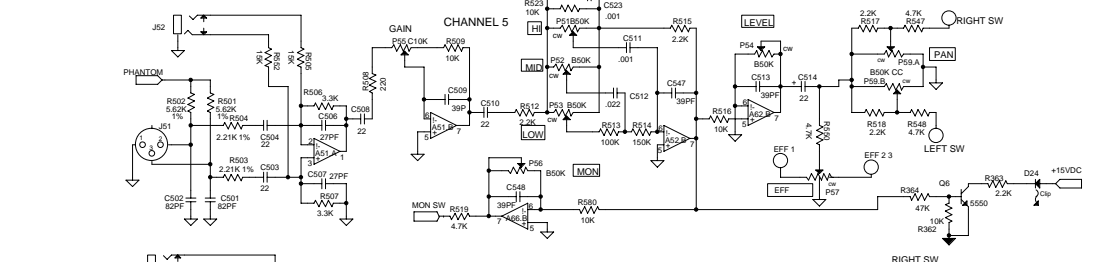
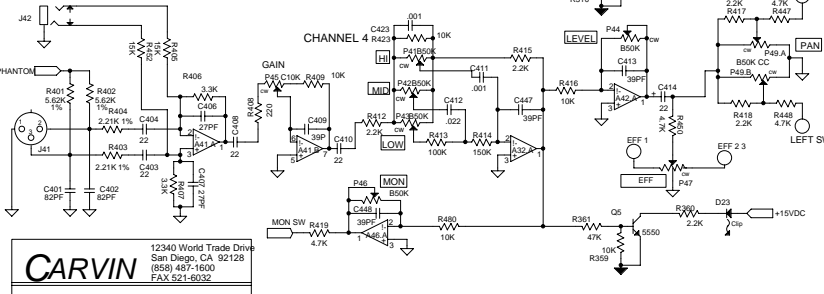
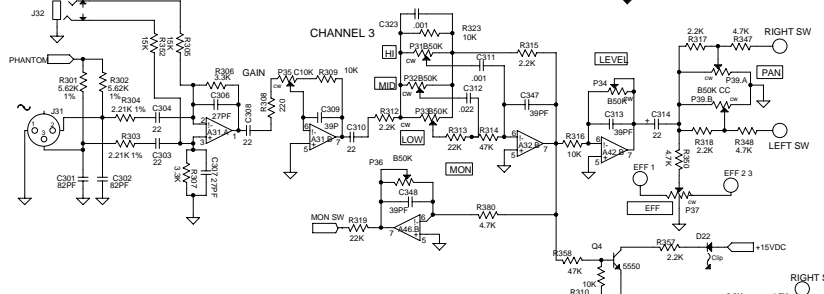
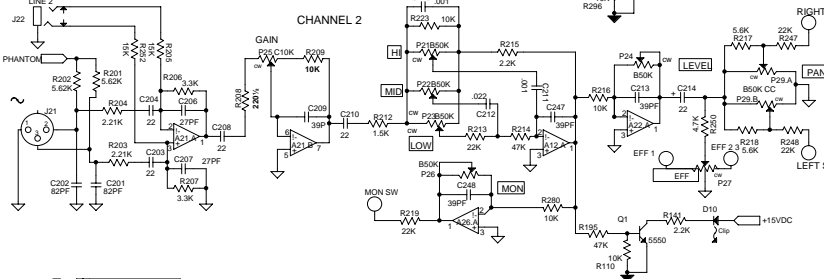
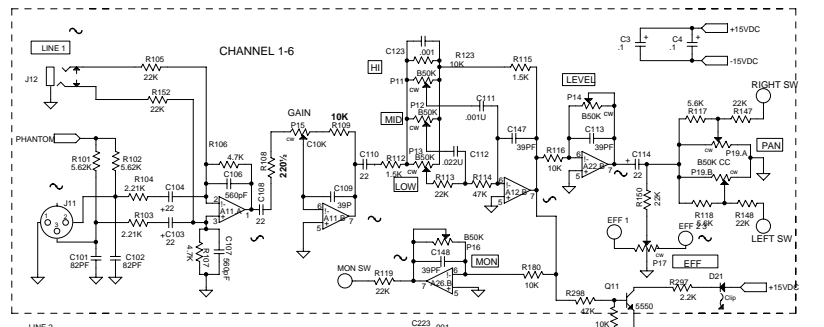
- 6. A12 IS TYPE 4568 OP AMP.
- 5. A11 IS TYPE 2043 OP AMP.
- 4. ALL RESISTORS IN OHMS.
- 3. ALL CAPACITORS IN MICROFARADS, EXCEPT AS NOTED.
- 2. ALL DIODES ARE TYPE 1N4003 EXCEPT AS NOTED.
- 1. ALL GROUNDS ARE GND EXCEPT AS NOTED.

**CARVIN**  
 12345 World Trade Drive  
 San Diego, CA 92128  
 (659) 487-1600 FAX 921-6032

**PA 880 SYSTEM MASTER**

DRAWN BY: E. PETERSEN	DATE: 13SEP04
APPROVED: _____	DATE: _____
PCB NO: 30-87001	REV: B
ASSY. NO: 80-88001	REV: A
REVISED BY: E. PETERSEN	DATE: 05JAN05





**CARVIN**  
 12340 World Trade Drive  
 San Diego, CA 92128  
 (658) 487-1600  
 FAX 621-6032

**PA 880  
 SYSTEM MASTER**

DRAWN BY: DATE:  
**E. PETERSEN** 13SEP04

APPROVED: DATE:  
 \_\_\_\_\_

PCB NO: 30-87001 REV: B  
 ASSY. NO: 80-88001 REV: A  
 REVISED BY: E. PETERSEN DATE: 05JAN05