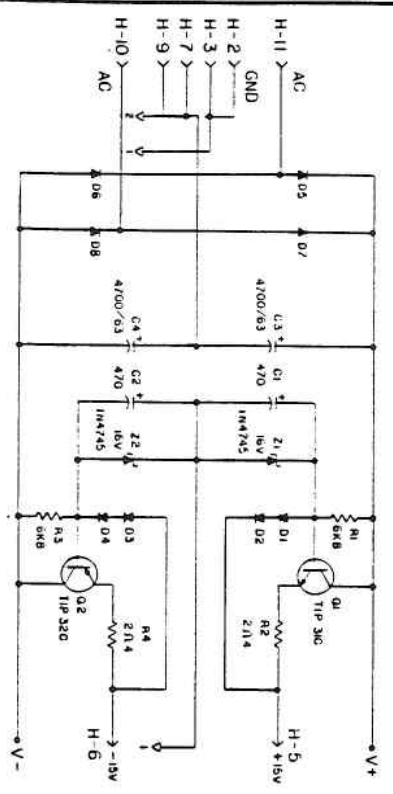
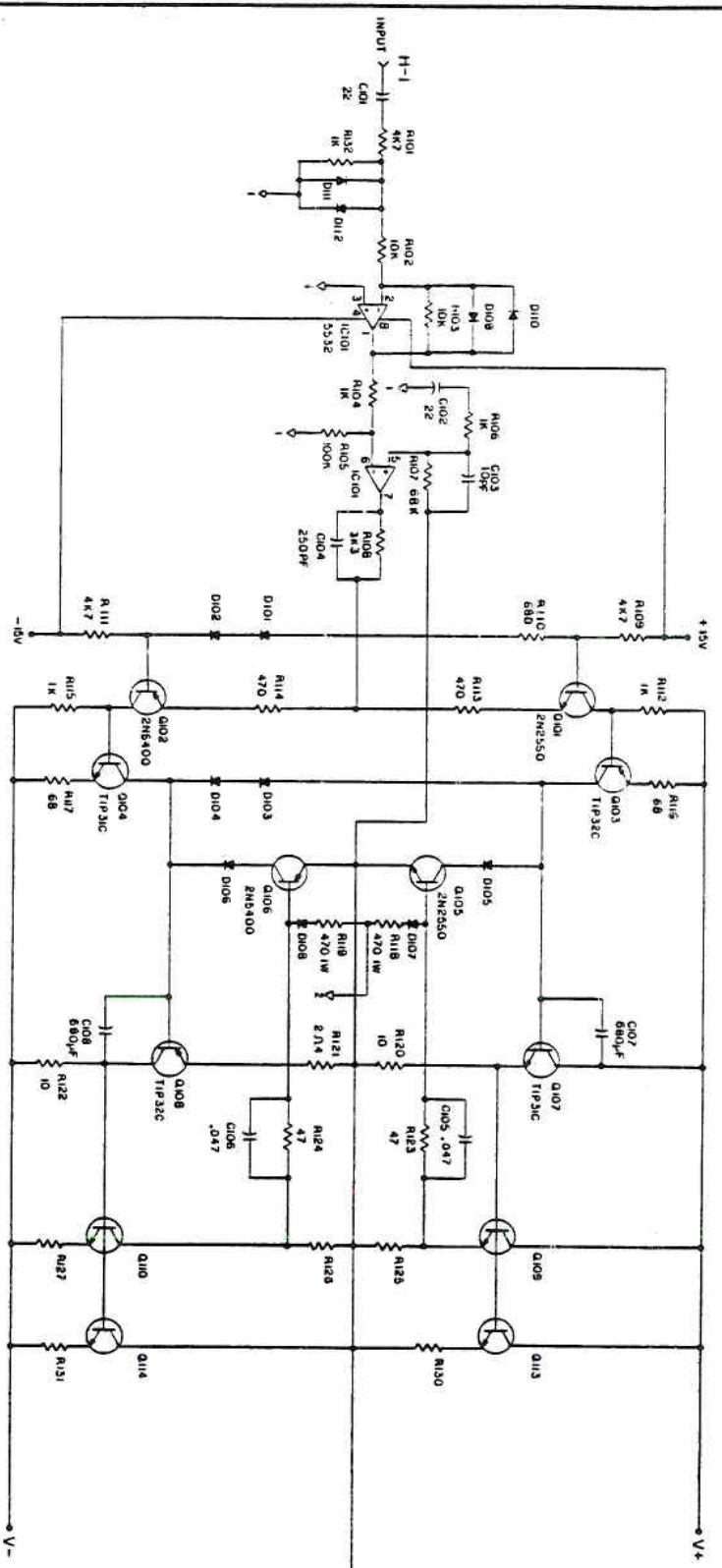


150W ONLY

- NOTES:**
1. THERMAL SWITCH MOUNTED ON HEATSINK, NORMALLY CLOSED, 185° F.
 2. PREAMP OUTPUTS NOT USED ON PRO BASS.
 3. CROSSOVER OUTPUTS NOT USED ON PRO LEAD.
 4. REVERB NOT USED ON PRO BASS.

CARVIN 1188 INDUSTRIAL AVE.
 BENDON, OREGON 97103
PRO BASS/PRO LEAD SYSTEM SCHEMATIC

DRAWN	<i>J. Walker</i>	DATE	6-30-83
APPROVED	<i>F. B. Walker</i>	DATE	9/21/83
DRAWING NUMBER	ELE2011	REV.	DATE



- NOTES: (UNLESS OTHERWISE INDICATED)
1. ALL RESISTORS IN OHMS, 1/4W.
 2. ALL CAPACITORS IN UF.
 3. ALL DIODES IN4003.
 4. Q103-Q102 ARE MJD5015.
 5. R125-R129 ARE .331L 5W.
 6. D5-D8 ARE P/N R340020069007.

LAST USED

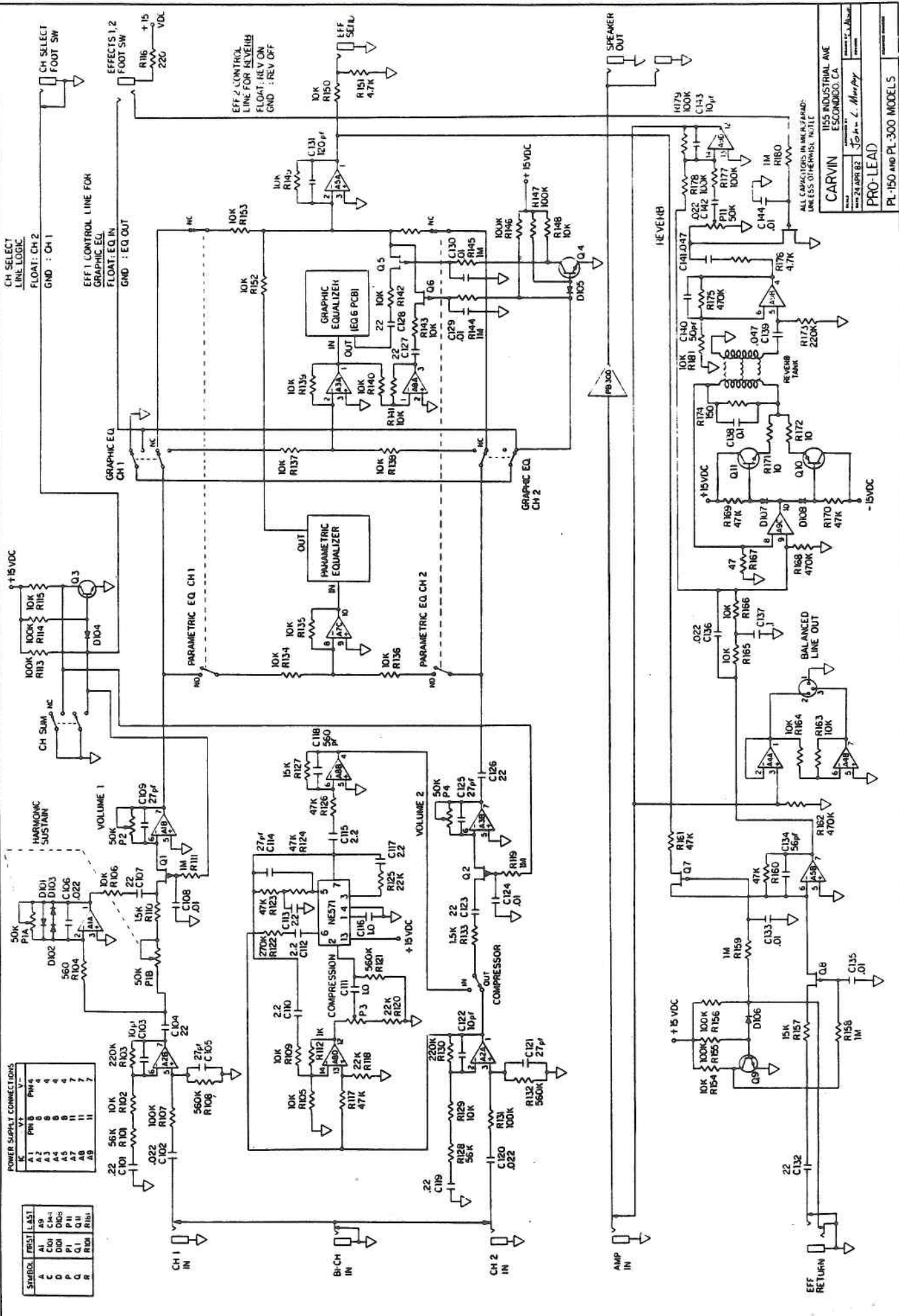
R132	2.2
C109	100
D112	1N4003
Q112	2N2550
Z2	2.2

CARVIN RESEARCH INC-1-8155
PL/PB/CP (PCB1002)
POWER MODULE 150W
 REV. 1
 DATE 8/28/81
 E1E2006

POWER SUPPLY CONNECTIONS

SYMBOL	FIRST	LAST
C	C10	C15
D	D10	D15
P	P1	P11
Q	Q1	Q11
R	R10	R15

SYMBOL	FIRST	LAST
A	A1	A15
B	B1	B15
C	C1	C15
D	D1	D15
E	E1	E15
F	F1	F15
G	G1	G15
H	H1	H15
I	I1	I15
J	J1	J15
K	K1	K15
L	L1	L15
M	M1	M15
N	N1	N15
O	O1	O15
P	P1	P15
Q	Q1	Q15
R	R1	R15



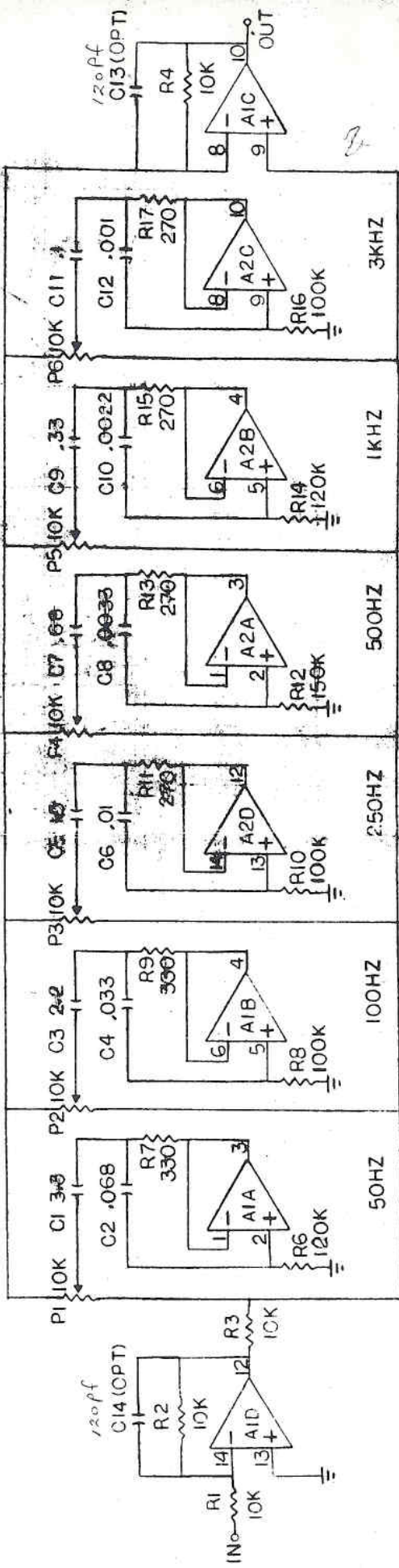
ALL CAPACITORS IN MICROFARADS UNLESS OTHERWISE NOTED

CARVIN 1855 INDUSTRIAL AVE
ESCONDIDO, CA

DATE: APR 82 BY: L. Murphy

PRO-LEAD

PL-150 and PL-300 MODELS



CARVIN CO 12-1-81
 DRAWN BY
 GRAPHIC EQU
 CN
 DATA RES. IN CHARGE
 105-A2
 100 TAPE 10-10
 1075