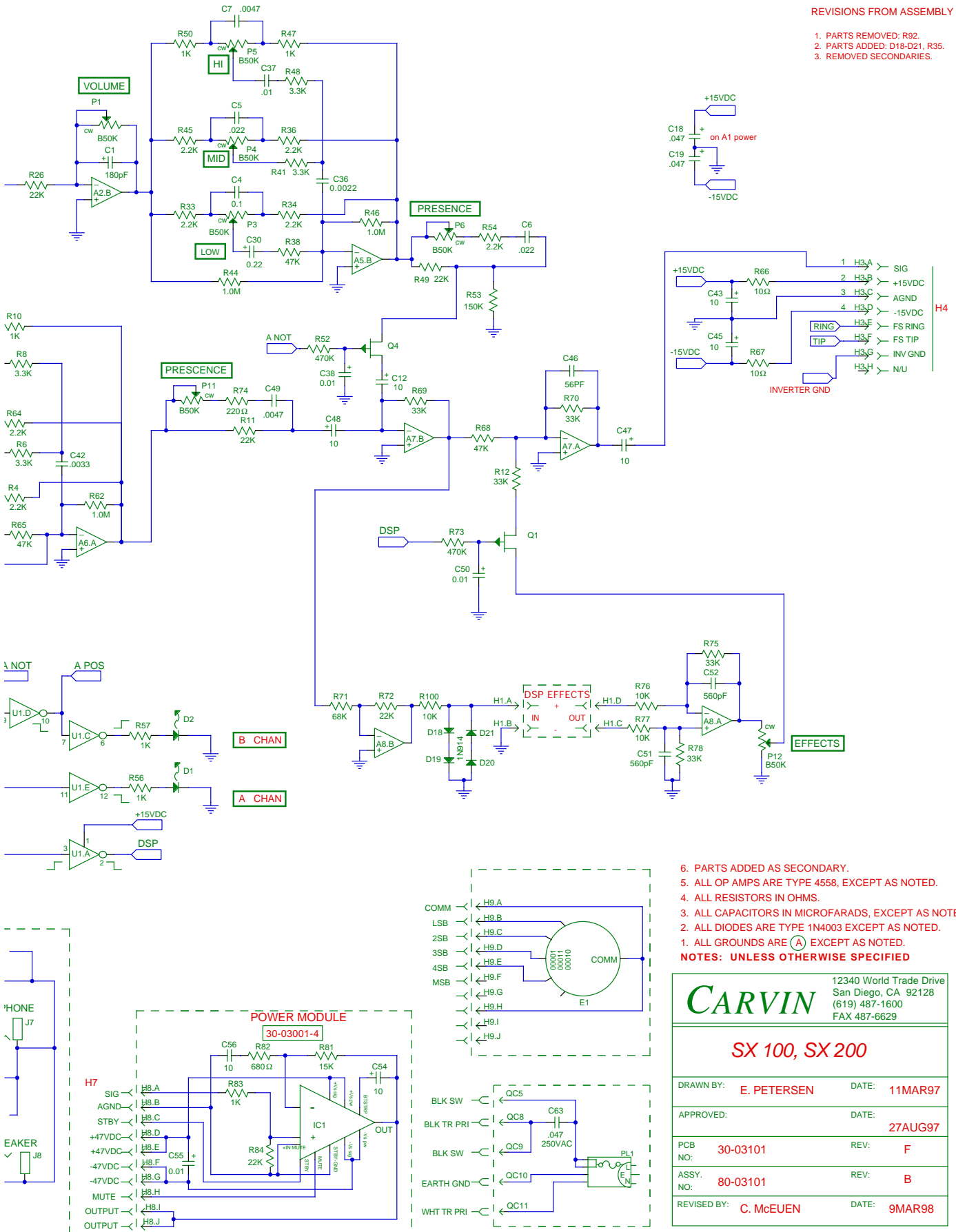


REVISIONS FROM ASSEMBLY (A).

1. PARTS REMOVED: R92.
2. PARTS ADDED: D18-D21, R35.
3. REMOVED SECONDARIES.



6. PARTS ADDED AS SECONDARY.
 5. ALL OP AMPS ARE TYPE 4558, EXCEPT AS NOTED.
 4. ALL RESISTORS IN OHMS.
 3. ALL CAPACITORS IN MICROFARADS, EXCEPT AS NOTED
 2. ALL DIODES ARE TYPE 1N4003 EXCEPT AS NOTED.
 1. ALL GROUNDS ARE (A) EXCEPT AS NOTED.
- NOTES: UNLESS OTHERWISE SPECIFIED**

12340 World Trade Drive
 San Diego, CA 92128
 (619) 487-1600
 FAX 487-6629

CARVIN

SX 100, SX 200

DRAWN BY: E. PETERSEN	DATE: 11MAR97
APPROVED:	DATE: 27AUG97
PCB NO: 30-03101	REV: F
ASSY. NO: 80-03101	REV: B
REVISED BY: C. McEUEN	DATE: 9MAR98