

- 6. LABEL "B" INDICATES A JUMPER WIRE.
 - 5. ALL OP AMPS ARE TYPE 4565, EXCEPT AS NOTED.
 - 4. ALL RESISTORS IN OHMS.
 - 3. ALL CAPACITORS IN MICROFARADS, EXCEPT AS NOTED.
 - 2. ALL DIODES ARE TYPE 1N914, EXCEPT AS NOTED
 - 1. ALL GROUNDS ARE A EXCEPT AS NOTED.
- NOTES UNLESS OTHERWISE SPECIFIED

CARVIN

12340 World Trade Drive
San Diego, CA 92128
(858) 487-1600
FAX 487-6629

**SX300R
SYSTEM MASTER**

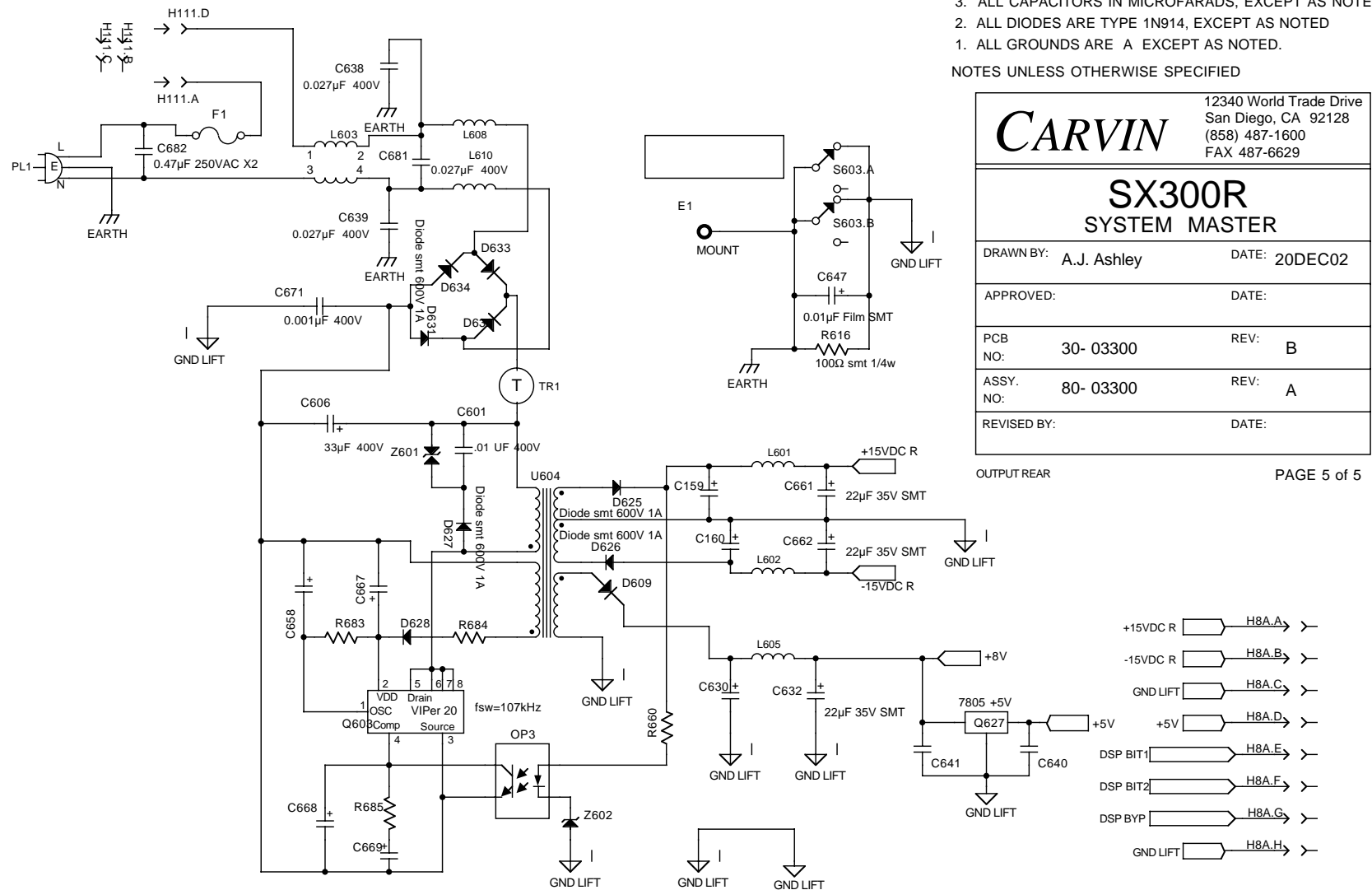
DRAWN BY: A.J. Ashley DATE: 20DEC02

APPROVED: DATE:

PCB NO: 30-03300 REV: B

ASSY. NO: 80-03300 REV: A

REVISED BY: DATE:



OUTPUT REAR

PAGE 5 of 5

