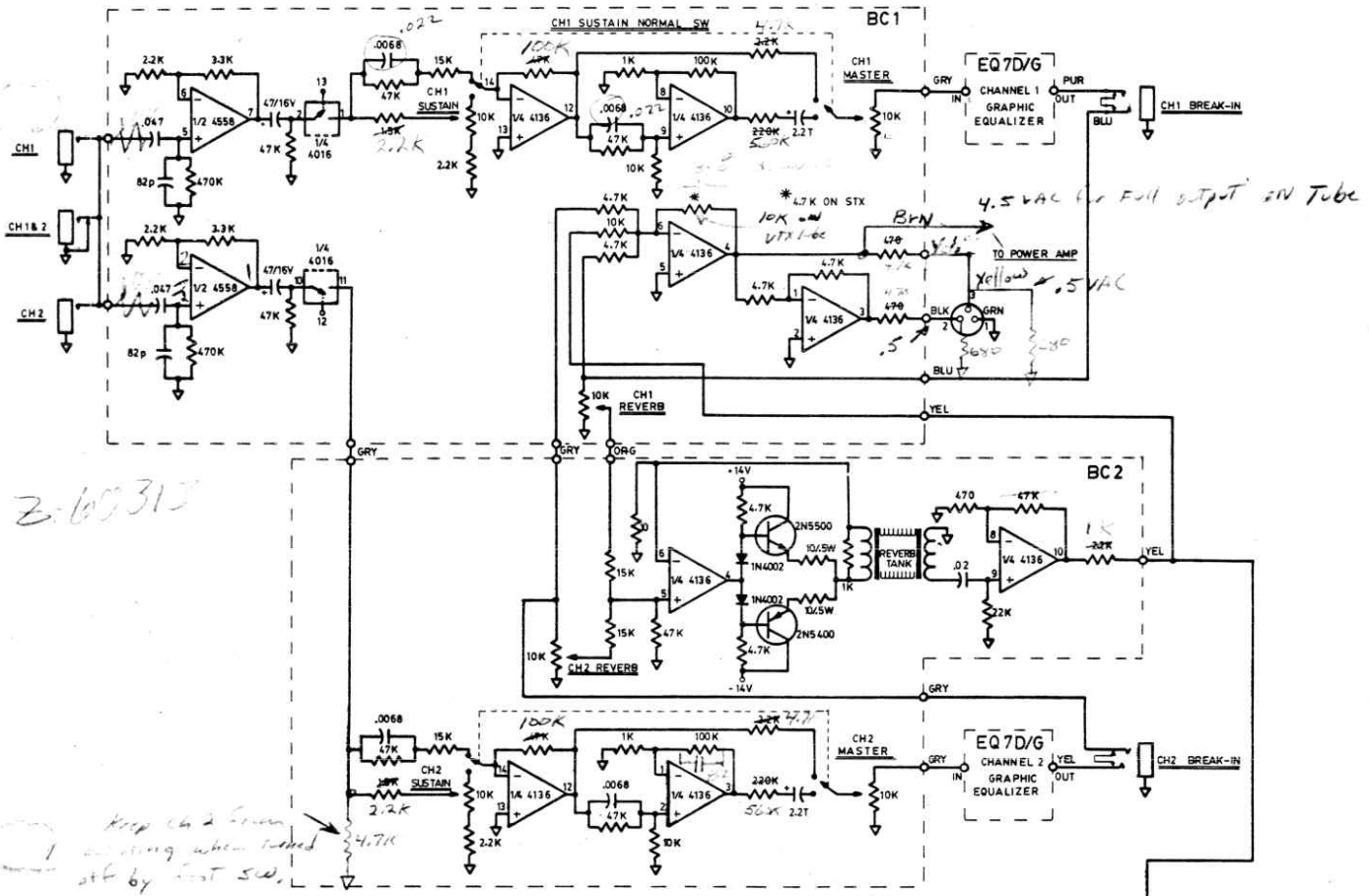


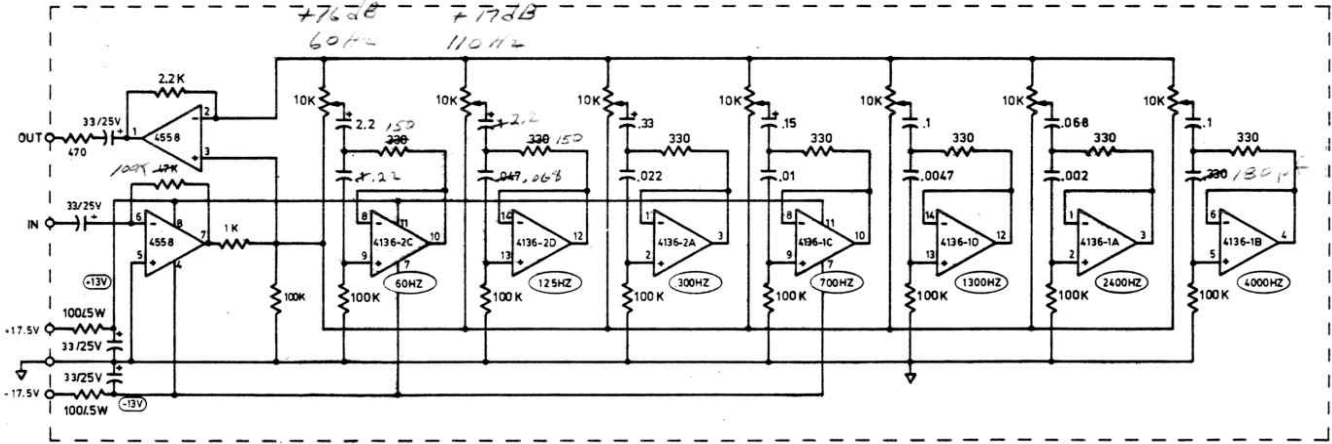
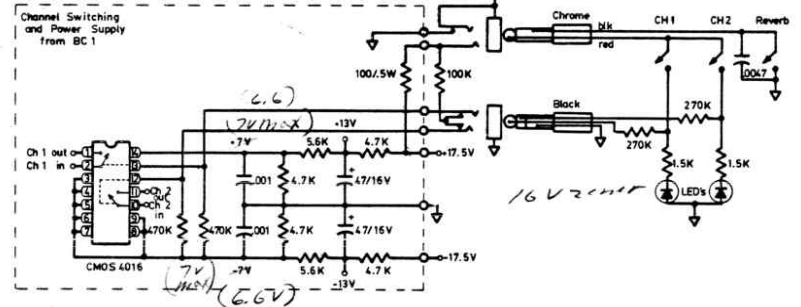
MODEL	PT	C	E <sub>1</sub>	E <sub>2</sub>
125W RMS	PT 1115D 64	4,000/50V	+44 VDC	-44 VDC
250W RMS	PT 11113 67	4,000/50V	+48 VDC	-48 VDC

Q11-Q14 [125 WATT] [2N6254]  
 Q11-Q18 [250 WATT]



Z-60313

CARVIN MFG CO  
 DATE: 2/11/79  
 DRAWN BY: W. Flenty  
 BI-CHANNEL AMPLIFIER  
 PREAMP BC1, BC2  
 GRAPHICS EQ7D  
 TUBE POWER AMP  
 SOLID STATE POWERAMP  
 REVISIONS:



Last Rev. 3-27-79