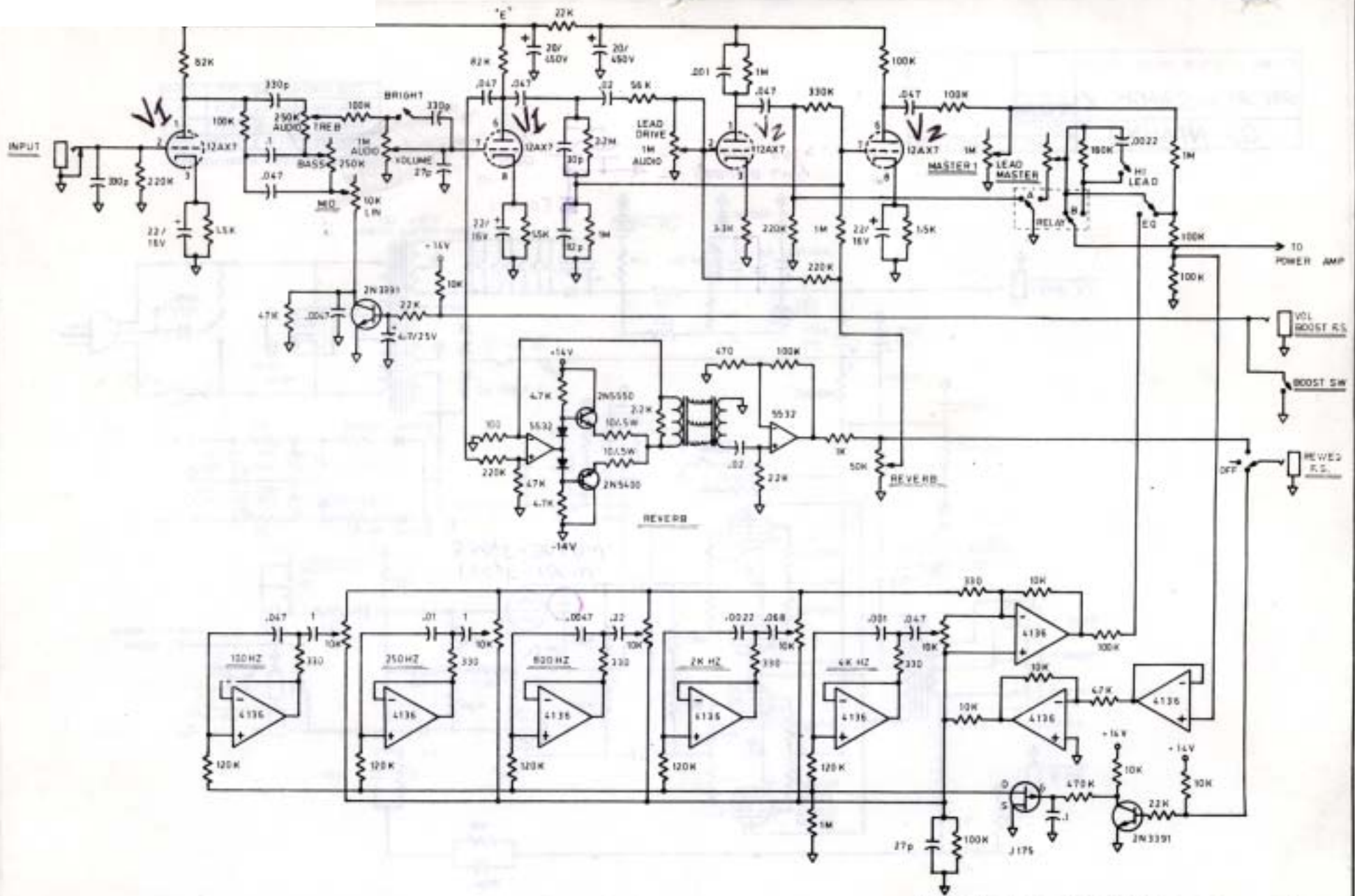
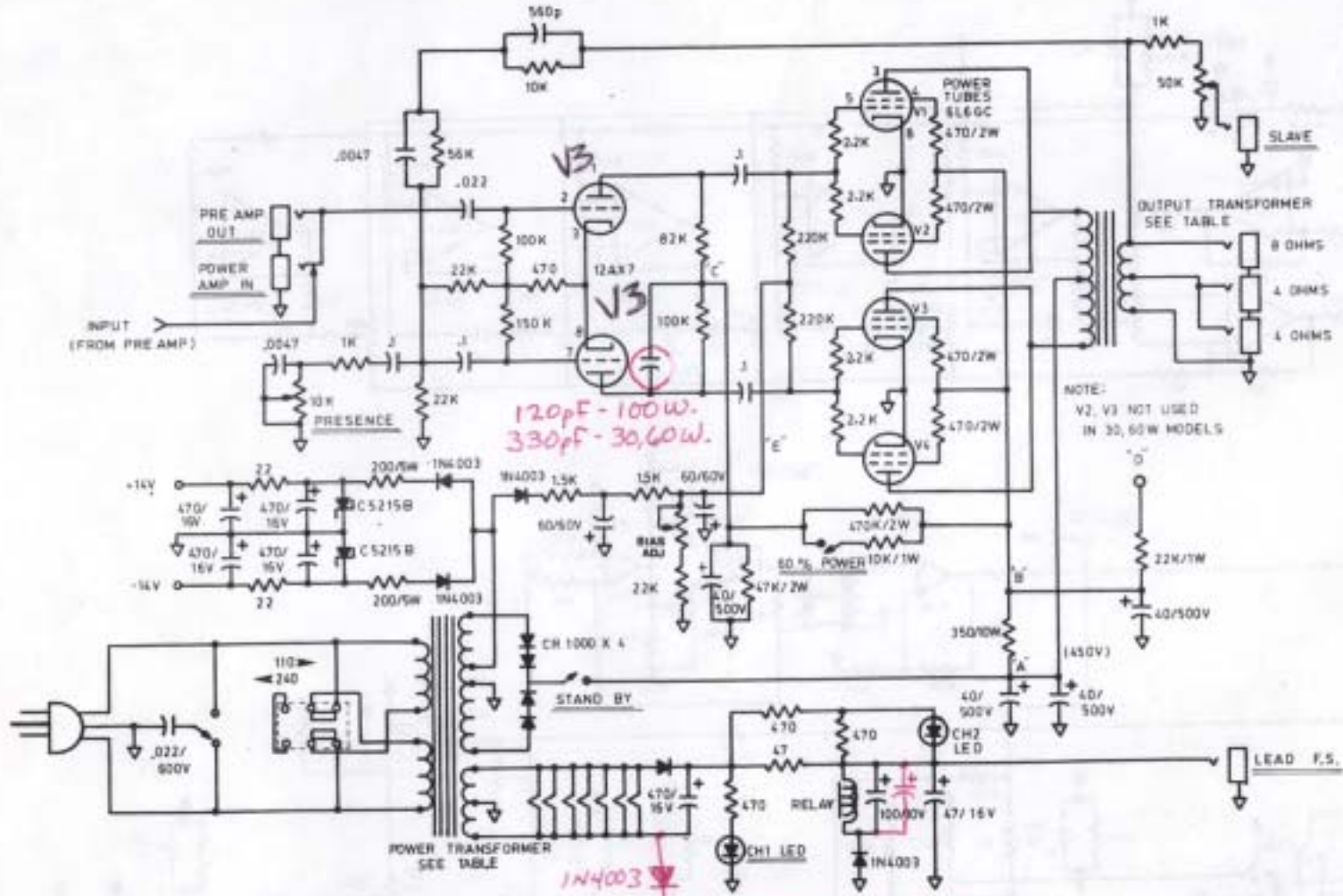


X100A Series 1-2 1981



REVISIONS	DATE	CARVIN CO.
	1/16/81	X SERIES -TUBE AMP
	W. S. [unclear]	
		PREAMP SECTION 30, 60, 100W MODELS

X100A Series 1-2 1981



NOTE:  
V2, V3 NOT USED  
IN 30, 60W MODELS

TRANSFORMER PART No. GUIDE

MODEL	WATTS	P. TRANS	O. TRANS
X 30	30W	PT 0300	OT 0600
X 60	60W	PT 21132L0B	OT 0600
X100	100W	PT 21133L0B	OT 0600

REVISIONS	DATE	CARVIN CO
	1/16/81	X SERIES-TUBE AMP
	DRAWN BY W. P. [Signature]	
		OUTPUT SECTION 30, 60, 100 W MODELS

X100A Series 3 1982 and later

