

CARVIN 12340 World Trade Drive
San Diego, CA 92128
(858) 487-1600
carvin.com

DSP MODULE
X100B, XP880, etc.

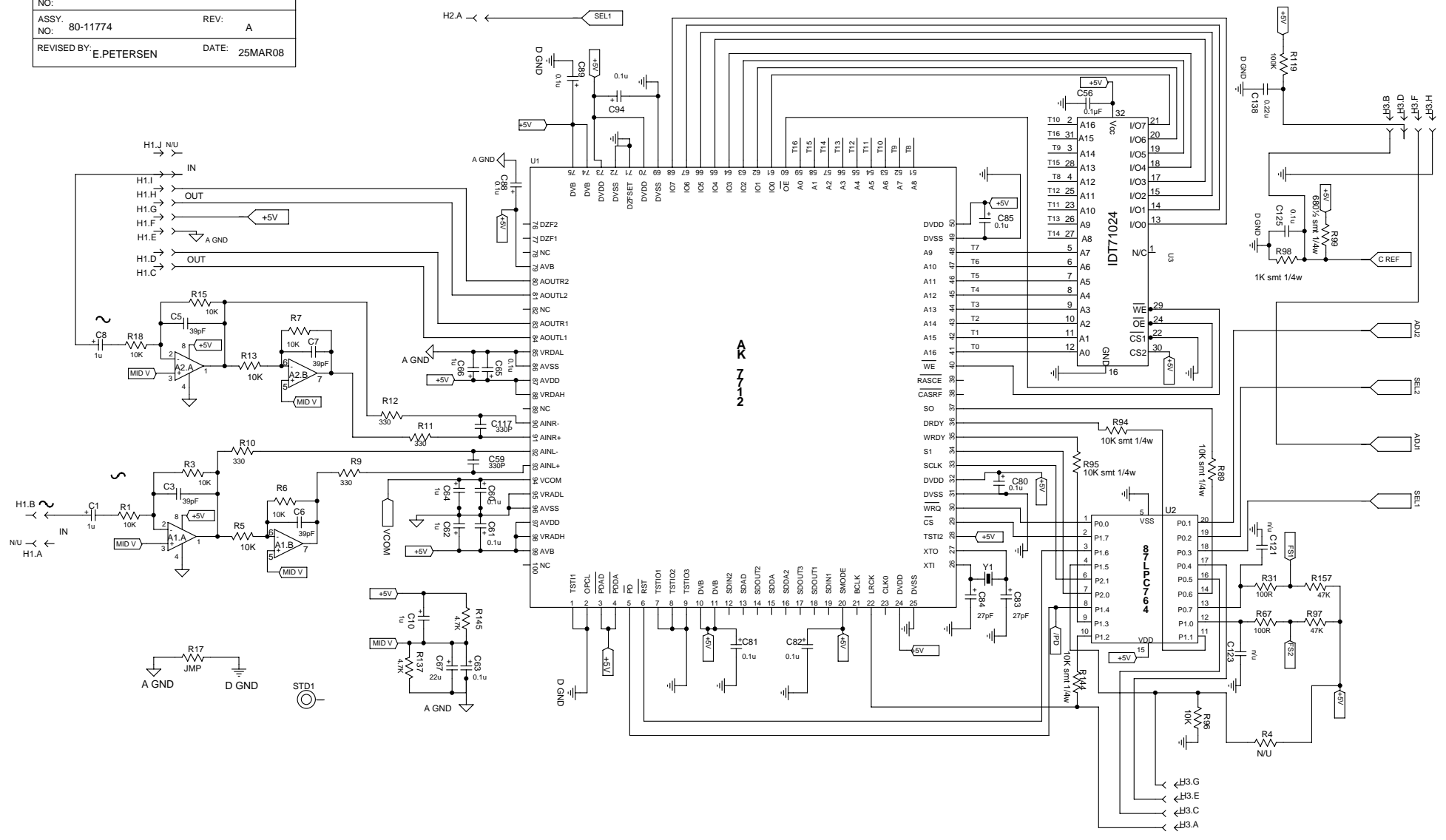
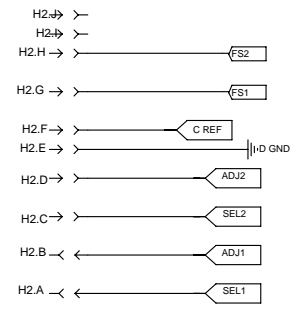
DRAWN BY: E. PETERSEN DATE: 19OCT2007

APPROVED: DATE:

PCB NO: 30-11774 REV: B

ASSY. NO: 80-11774 REV: A

REVISED BY: E.PETERSEN DATE: 25MAR08



A
Z
1
2