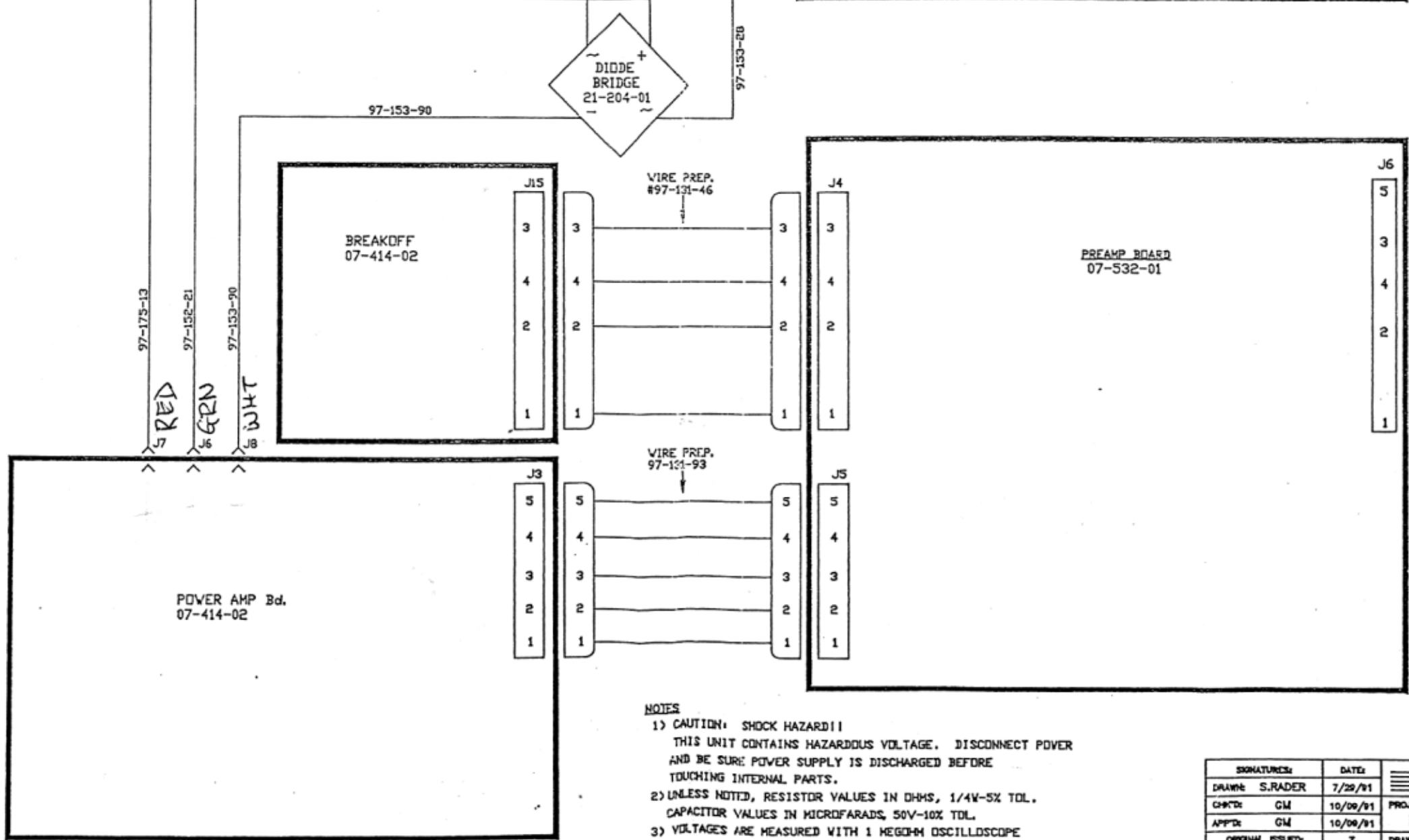


94-155-20 CONNECTIONS

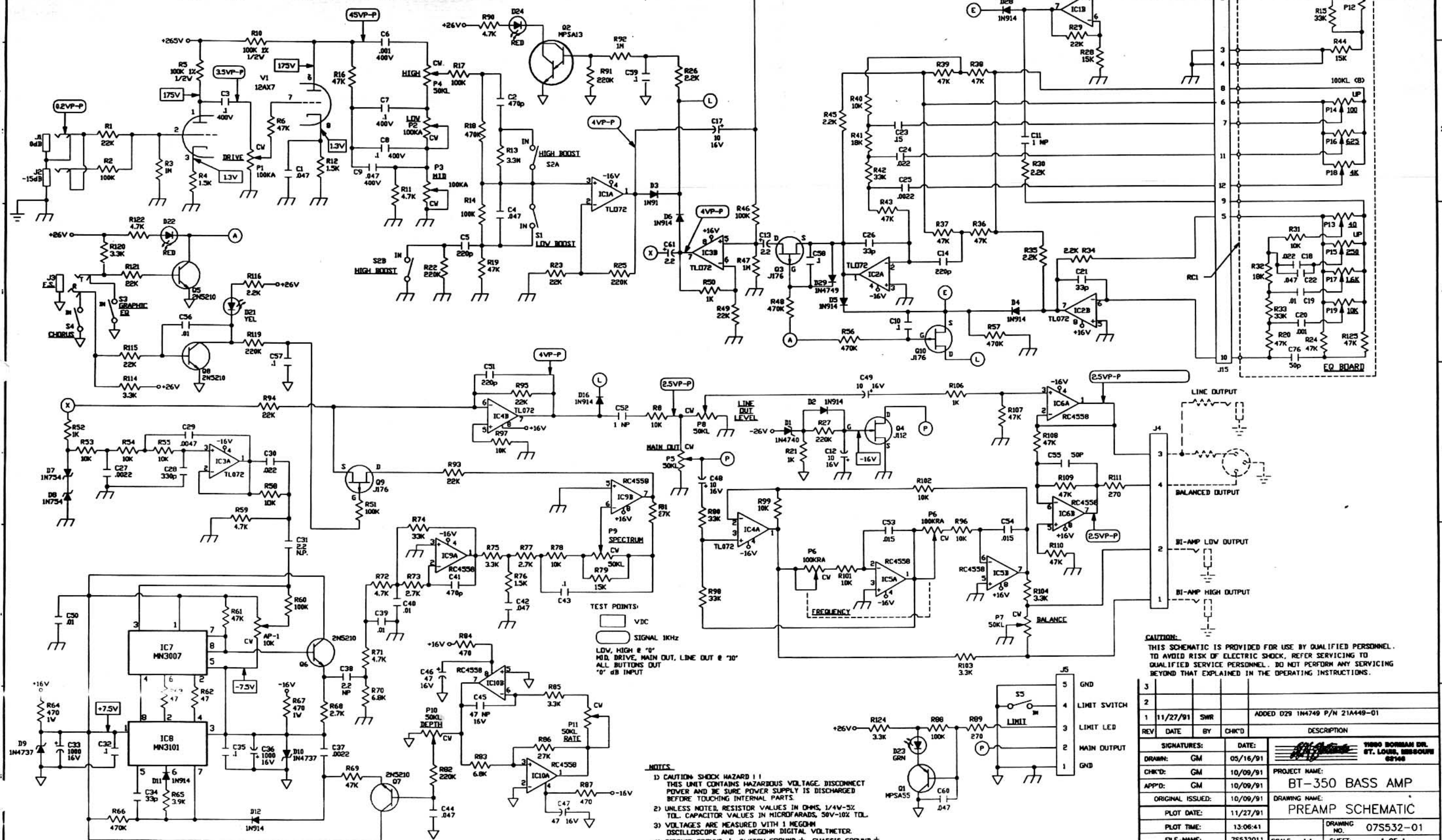
J27	BLACK	POWER TRANSFORMER 100 VAC
J20	BLUE	
J21	WHITE	
J28	BROWN	F3=10ASB
J19	GRAY	
J28	BROWN/WHITE	
J20	BLACK	POWER TRANSFORMER 120 VAC
J27	BLUE	
J21	WHITE	
J19	BROWN	F3=10ASB
J28	GRAY	
J22	BROWN/WHITE	
J20	BLACK	POWER TRANSFORMER 220 VAC
J17	BLUE	
J27	WHITE	
J16	BROWN	F3=5ASB
J28	GRAY	
J21	BROWN/WHITE	
J20	BLACK	POWER TRANSFORMER 240 VAC
J27	WHITE	
J28	BROWN	F3=5ASB
J16	GRAY	
J21	BROWN/WHITE	



- NOTES
- 1) CAUTION: SHOCK HAZARD!! THIS UNIT CONTAINS HAZARDOUS VOLTAGE. DISCONNECT POWER AND BE SURE POWER SUPPLY IS DISCHARGED BEFORE TOUCHING INTERNAL PARTS.
 - 2) UNLESS NOTED, RESISTOR VALUES IN OHMS, 1/4W-5% TOL. CAPACITOR VALUES IN MICROFARADS, 50V-10% TOL.
 - 3) VOLTAGES ARE MEASURED WITH 1 MEGOHM OSCILLOSCOPE AND 10 MEGOHM DIGITAL VOLTMETER.
 - 4) CIRCUIT GROUND /// SWITCH GROUND v CHASSIS GROUND +

SIGNATURES:	DATE:	7/29/91	1999 BORGES DEL. ST. LOUIS, MISSOURI 63148
DRAWN: S.RADER	DATE:	10/08/91	PROJECT NAME:
CHK'D: GM	DATE:	10/08/91	BT-350 BASS AMP
APP'D: GM	DATE:	10/08/91	DRAWING NAME:
ORIGINAL ISSUED:	Z		WIRING DIAGRAM
PLOT DATE:	07/30/91		
PLOT TIME:	07:58:40		DRAWING NO. 16W288-01
FILE NAME:	16W28801	SCALE: NONE	SHEET: 1 OF 1

DESIGNATOR	DESCRIPTION	P/N	DESIGNATOR	DESCRIPTION	P/N	DESIGNATOR	DESCRIPTION	P/N	DESIGNATOR	DESCRIPTION	P/N	DESIGNATOR	DESCRIPTION	P/N
01	MPS-A-05	96-023-01	01-06	1M4748	21A448-01	P1-P3	100KA VERT HT	78-209-01	J15	12 PIN .1" SKT	17-314-12	RC1	12 PIN CABLE	99-104-02
02	MPSA13 NPN BNL	96-012-01	07-08	1N754	21A754-01	P4-P5	500K VERT HT	78-209-01	J16-J24	.250 ST. PC TAB	17-826-01	JW1-31	JUMPER	76-000-03
03	J176 FET	96-176-01	09-10	1N4750	21A4750-01	P6	100KA DUAL VERT	78-209-02	J25	1/4 GRIDHD LUG	17-398-01	FC1-FC5	3AG FUSE CLIP	23-926-01
04	J112 N-CH FET	96-112-01	11-12	1N914	21A914-01	P7-P11	50K VERT HT	78-209-01	J26-J29	.250 ST. PC TAB	17-826-01			
05, 08	BCX218	96-310-01	13-15	1M4987	21A4987-01	P12-P19	100K 20MM SLIDER	78-104-05	J30	9 PIN TUBE SOCKET	17-450-09			
09, 010	J176 FET	96-176-01	16-17	1M4987	21A4987-01	S1-S5	DPST PB	88-906-01	F1-F2	1/2A SB	23-300-05			
IC1-IC4	TL072CP	37-072-01	18	1M4745	21A4745-01	J1-J2	112APC JACK	29-012-01	F3	10A SB	23-310-02			
IC5, IC6	RC4558	37-458-01	19	1M4754	21A754-01	J3	114APC T/R/S	29-114-02	CB1	.09A THERMISTOR	73-201-01			
IC7	MN3007	37-307-01	20	1M4745	21A4745-01	J4	4 PIN HEADER	17-318-04	V1	18AX7 GENERAL	37-327-01			
IC8	MN3101	37-381-01	21	1M4745	21A4745-01	J5-J7	9 PIN HEADER	17-318-05	AP1	1.6K TRIM	71-103-02			
IC9, IC10	RC4558	37-458-01	22	1M4987	21A4987-01	J8-J11	.250 ST. PC TAB	17-826-01						
			23	1N914	21A914-01	J12-J14	.187 ST PC TAB	17-094-01						

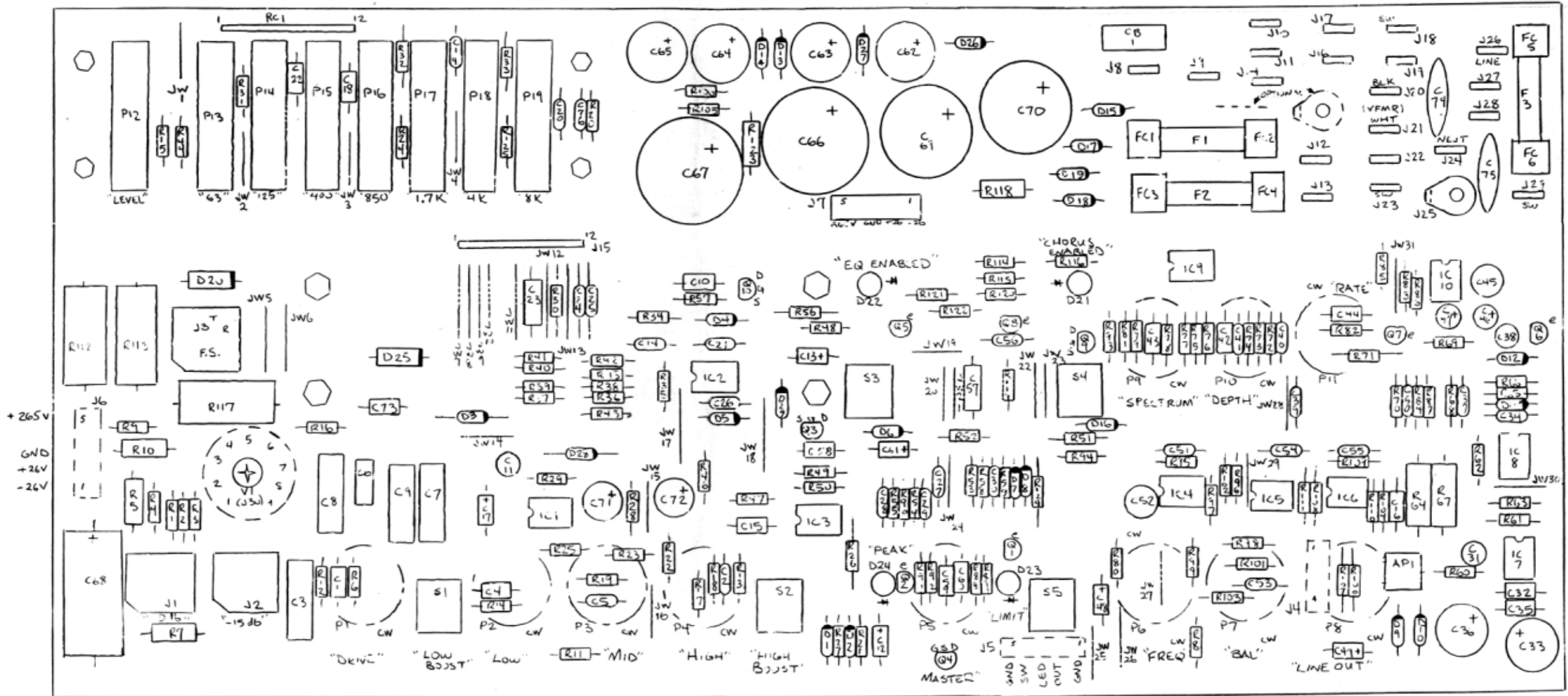


TEST POINTS:
 VDC
 SIGNAL 1KHz
 LOW, HIGH @ "0"
 MID, DRIVE, MAIN OUT, LINE OUT @ "10"
 ALL BUTTONS OUT
 "0" dB INPUT

- NOTES:
- 1) CAUTION: SHOCK HAZARD ! THIS UNIT CONTAINS HAZARDOUS VOLTAGE. DISCONNECT POWER AND BE SURE POWER SUPPLY IS DISCHARGED BEFORE TOUCHING INTERNAL PARTS.
 - 2) UNLESS NOTED, RESISTOR VALUES IN OHMS, 1/4W-5% TOL. CAPACITOR VALUES IN MICROFARADS, 50V-10% TOL.
 - 3) VOLTAGES ARE MEASURED WITH 1 MEGOHM OSCILLOSCOPE AND 10 MEGOHM DIGITAL VOLTMETER.
 - 4) CIRCUIT GROUND ∇ SWITCH GROUND ∇ CHASSIS GROUND ∇

CAUTION:
 THIS SCHEMATIC IS PROVIDED FOR USE BY QUALIFIED PERSONNEL. TO AVOID RISK OF ELECTRIC SHOCK, REFER SERVICING TO QUALIFIED SERVICE PERSONNEL. DO NOT PERFORM ANY SERVICING BEYOND THAT EXPLAINED IN THE OPERATING INSTRUCTIONS.

3				
2				
1	11/27/91	SWR		ADDED D29 1N4749 P/N 21A449-01
REV	DATE	BY	CHK'D	DESCRIPTION
SIGNATURES:		DATE:		 PROJECT NAME: BT-350 BASS AMP DRAWING NAME: PREAMP SCHEMATIC DRAWING NO. 075532-01 SCALE: 1:1 SHEET: 1 OF 1
DRAWN: GM		05/16/91		
CHK'D: GM		10/09/91		
APP'D: GM		10/09/91		
ORIGINAL ISSUED: 10/09/91				
PLOT DATE: 11/27/91				
PLOT TIME: 13:06:41				
FILE NAME: 75532011				



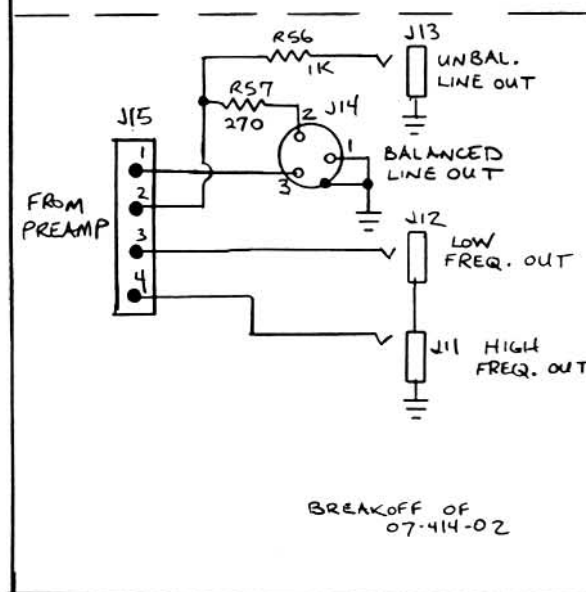
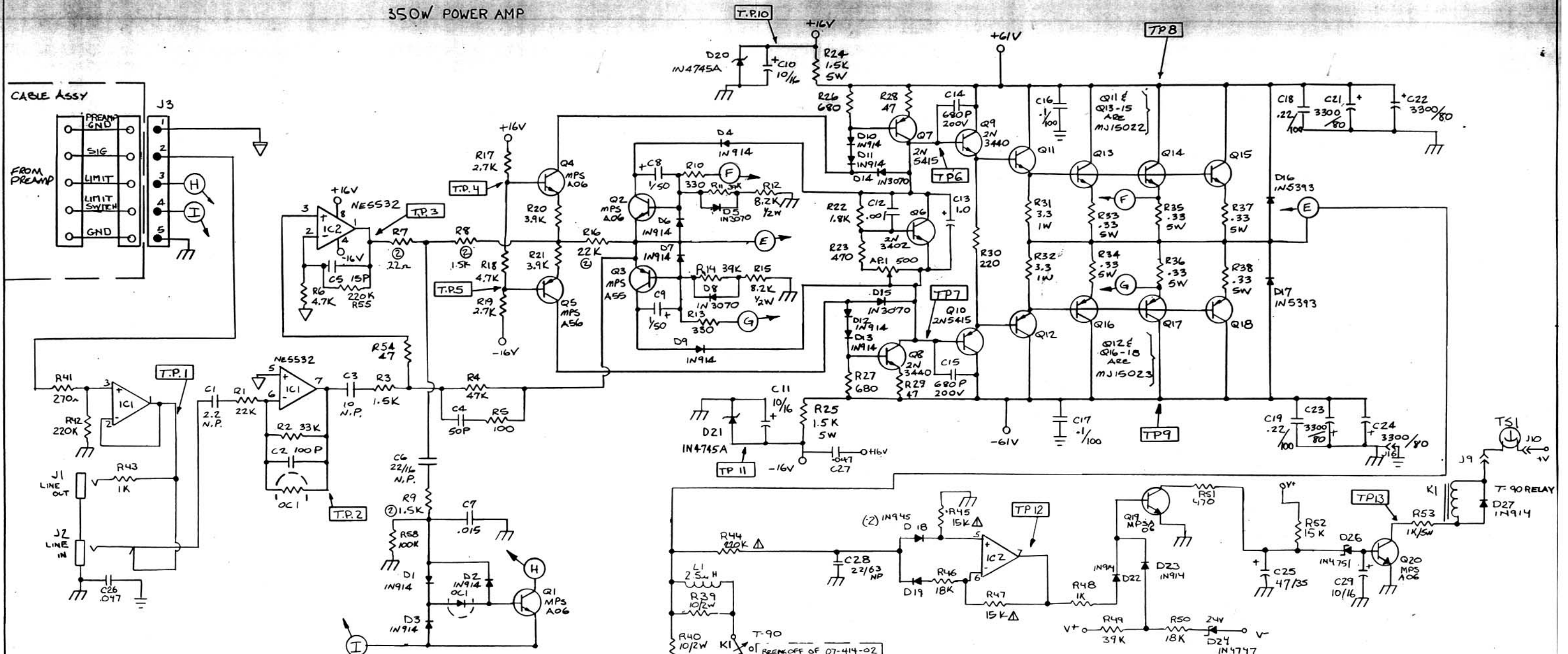
- J4 1 BI-AMP HIGH OUT
 2 BI-AMP LOW OUT
 3 LINE OUT (BAL)
 4 BAL OUT

SHEET 1 OF 2

TOLERANCES		REVISIONS		BT-350 PREAMP PICT.	
DESCRIPTION	DATE	NO.	BY	ASSY # 07-532-01	ST. LOUIS
DECIMAL	01/27/91	SR		SLM ELECTRONICS	1400 FERGUSON AVE 63133
FRACTIONAL				DATE	6-18-91
ANGULAR				DATE	07/532-01

① D29 ADDED

350W POWER AMP



- NOTES:**
- 1) THIS SCHEMATIC PROVIDED FOR USE BY QUALIFIED PERSONNEL, TO AVOID RISK OF ELECTRIC SHOCK, REFER SERVICING TO QUALIFIED SERVICE PERSONNEL. DO NOT PERFORM ANY SERVICING BEYOND THAT EXPLAINED IN THE OPERATING INSTRUCTIONS.
 - 2) THIS UNIT CONTAINS HAZARDOUS VOLTAGES, DISCONNECT POWER AND BE SURE POWER SUPPLY IS DISCHARGED BEFORE TOUCHING INTERNAL PARTS.
 - 3) UNLESS OTHERWISE SPECIFIED ALL RESISTORS ARE IN OHMS, 1/4 WATT, 5%. ALL CAPACITORS ARE IN MICROFARADS AND HAVE A 50V RATING.

TEST POINTS

TP	V _{DC}	RMS	V _{PK}
1	.883v	0	
2	1.3v	10mv ± 5mv	
3	1.7v	200mv ± 50mv	
4	0	8v ± .5v	
5	0	8v ± .5v	
6	40v	1.45v ± 20mv	
7	40v	1.45v ± 20mv	
8	.2VP-PP RPPLE	71v ± 2v	
9	.2VP-P RPPLE	-71v ± 2v	
10	.01 VP-P RPPLE	*17v ± 2v	
11	.01VP-P RPPLE	-17v ± 2v	
12	0	10mv ± 5mv	
13	0	.1v ± 20mv	
14	40v	10mv ± 5mv	

PARTIAL PARTS LIST

PART	DESCRIPTION	PART NO.	PART	DESCRIPTION	PART NO.
Q1	MPSA06	96-006-01	K1	5532	37-532-01
Q2	MPSA06	96-006-01	IC2	5532	37-532-01
Q3	MPSA55	96-055-01	OC-1	VTLS07	66-100-01
Q4	MPSA06	96-006-01	L1	2.5uH	94-142-01
Q5	MPSA56	96-056-01	K1	T-90 RELAY	82-090-01
Q6	2N3402	96-342-01	J12	1/4" CLIFF	39-116-01
Q7	2N5415	96-515-01	J3	5 PIN HD	17-310-05
Q8	2N3440	96-340-01	J4,5	1/4" CLIFF	39-116-01
Q9	2N3440	96-340-01	J6-10	.250 TAB	17-836-01
Q10	2N5415	96-514-01	AP-1	500u TRIMPOT	71-501-02
Q11	MJ15022	96-122-01	RCB#		06414-01
Q12	MJ15023	96-123-01			
Q13	MJ15022	96-122-01			
Q14	MJ15022	96-122-01			
Q15	MJ15022	96-122-01			
Q16	MJ15023	96-123-01			
Q17	MJ15023	96-123-01			
Q18	MJ15023	96-123-01			
Q19	MPSA06	96-006-01			
Q20	MPSA06	96-006-01			
J11-13	1/4" JACK	39-112-01			
J14	XLR	39-306-01			
J15	4PIN HD.	17-310-04			
J16	GRND LUG	17-500-01			
W1	RED SPKR WIRE	97-168-82			
W2	BLK SPKR WIRE	97-168-86			
W3	3" 250/250	97-152-07			
W4	12" 250/250	97-153-46			
TS-1	THERMAL SW	88-252-01			

REV (2)

R7	150K	CHANGED	22u
R8	1K	TO	1.5K
R9	1K	TO	1.5K
R16	27K		22K

REV (3)

D24	WAS IN4749	DELETED	D25
R52	" 47K		Dwg No.
D26	" IN4745	WAS	
C29	" 2.2/50		16-409-01/51
C25	" 100/35		D16, D17 WAS IN4749

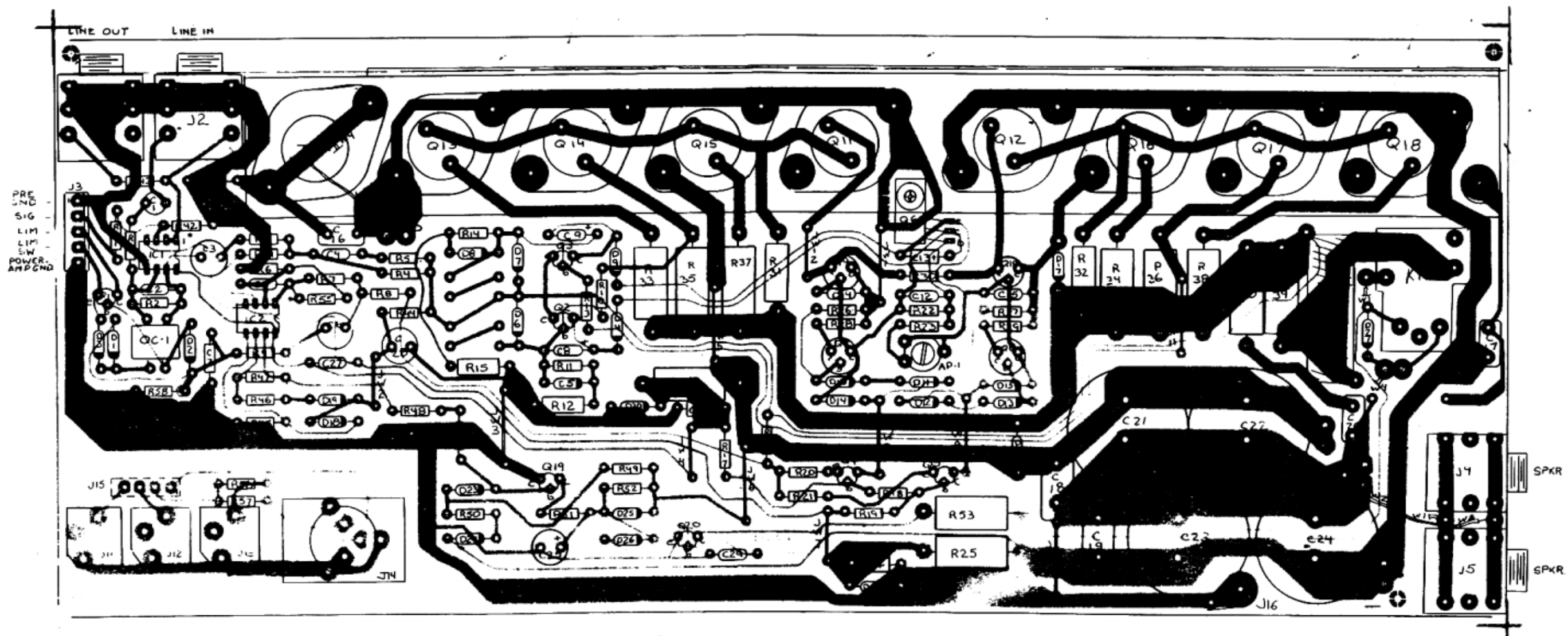
350 WATT POWER AMP

REVISIONS:

- 9-14-87
- 7-25-89
- 7-19-91

SLM ELECTRONICS
1400 FERGUSON AVE.
ST. LOUIS, Mo. 63133

Dwg. No. 075414-02



PART	DESCRIPTION	PART NO	PART	DESCRIPTION	PART NO	PART	DESCRIPTION	PART NO	PART	DESCRIPTION	PART NO
R1	22K	76-223-01	R31	33K 1W	76-033-01	C1	22 NP	12-225-01	D1	IN 914	21A914-01
R2	33K	76-223-01	R32	33K	76-033-01	C2	100 P	12A101-21	D2	IN 914	21A914-01
R3	47K	76-223-01	R33	33K	76-033-05	C3	10 NP	12-106-01	D3	IN 914	21A914-01
R4	47K	76-223-01	R34	33K	76-033-05	C4	50 P	10A500-21	D4	IN 914	21A914-01
R5	100K	76-223-01	R35	33K	76-033-05	C5	15 P	10A150-21	D5	IN 3070	21A370-01
R6	47K	76-223-01	R36	33K	76-033-05	C6	22/16 NP	12-226-02	D6	IN 914	21A914-01
R7	22K	76-223-01	R37	33K	76-033-05	C7	.015	10A153-01	D7	IN 914	21A914-01
R8	15K	76-152-01	R38	33K	76-033-05	C8	1/50	12A105-51	D8	IN 3070	21A370-01
R9	15K	76-152-01	R39	100K	76-100-01	C9	1/50	12A105-51	D9	IN 914	21A914-01
R10	33K	76-223-01	R40	100K	76-100-01	C10	10/16	12A106-11	D10	IN 914	21A914-01
R11	39K	76-223-01	R41	100K	76-100-01	C11	10/16	12A106-11	D11	IN 914	21A914-01
R12	39K	76-223-01	R42	220K	76-221-01	C12	.001	10A102-11	D12	IN 914	21A914-01
R13	39K	76-223-01	R43	220K	76-221-01	C13	1/50	12A105-51	D13	IN 914	21A914-01
R14	39K	76-223-01	R44	220K	76-221-01	C14	680P	10A681-21	D14	IN 3070	21A370-01
R15	39K	76-223-01	R45	220K	76-221-01	C15	680P	10A681-21	D15	IN 3070	21A370-01
R16	22K	76-223-01	R46	15K	76-153-01	C16	100P	10A100-01	D16	IN 4002	21A402-01
R17	22K	76-223-01	R47	15K	76-153-01	C17	1 POLY	10-104-03	D17	IN 4002	21A402-01
R18	22K	76-223-01	R48	15K	76-153-01	C18	.22 POLY	10-224-02	D18	IN 914	21A914-01
R19	22K	76-223-01	R49	15K	76-153-01	C19	.22 POLY	10-224-03	D19	IN 914	21A914-01
R20	22K	76-223-01	R50	51K	76-513-01	C20	.1 POLY	10-104-03	D20	IN 4145A	21A145-01
R21	22K	76-223-01	R51	51K	76-513-01	C21	3300/80	12-338-04	D21	IN 4145A	21A145-01
R22	22K	76-223-01	R52	47K	76-473-01	C22	3300/80	12-338-04	D22	IN 914	21A914-01
R23	22K	76-223-01	R53	47K	76-473-01	C23	3300/80	12-338-04	D23	IN 914	21A914-01
R24	22K	76-223-01	R54	47K	76-473-01	C24	3300/80	12-338-04	D24	IN 4149	21A419-01
R25	22K	76-223-01	R55	47K	76-473-01	C25	3300/80	12-338-04	D25	IN 914	21A914-01
R26	22K	76-223-01	R56	47K	76-473-01	C26	3300/80	12-338-04	D26	IN 4145A	21A145-01
R27	22K	76-223-01	R57	47K	76-473-01	C27	3300/80	12-338-04	D27	IN 914	21A914-01
R28	22K	76-223-01	R58	47K	76-473-01	C28	3300/80	12-338-04	D28	IN 914	21A914-01
R29	22K	76-223-01				C29	3300/80	12-338-04			

W1	RED SPEAKER WIRE	97-168-82
W2	BLK SPEAKER WIRE	97-168-86
W3	3" 250/250	97-152-07
W4	12" 250/250	97-153-44
TS-1	SWITCH	88-252-01

NOTE: UNLESS OTHERWISE SPECIFIED ALL RESISTORS ARE 1/4WATT 5% ALL CAPACITORS ARE IN MKR, FARADS AND HAVE A 50V RATING

TOLERANCES		REVISIONS	
RESISTORS	CAPACITORS	NO.	DATE
±1%	±1%	1	06/14/01
±5%	±5%	2	07-11-02
±10%	±10%	3	07-25-01
±20%	±20%	4	07-25-01

ART Rev 'C'

SMT 300WATT POWER AMP ASSY #
SMT 300WATT POWER AMP 07-11-02
SLM ELECTRONICS
1180 DORMAN ST. LOUIS, MO. 63146
TEL: 314-251-2200 FAX: 314-251-2201
WWW.SLM-ELECTRONICS.COM