


0	04/12/05	CONTROL ISSUE		MJK		
D	07/07/04	ADDED AMP TOPPER	R01288	DDG		
C	04/20/04	REMOVED CE AND ETL LABELS PER ECR	R01231	DDG		
B	07/31/03	ADDED POP BOX	R01037	JRC		
A	07/18/03	INITIAL ISSUE		JRC		
REV:	DATE:	DESCRIPTION	ECR/ECN NO:	CHNG'D BY:	APPR'D BY:	DATE:
THE INFORMATION CONTAINED ON THIS DRAWING IS PROPRIETARY TO ST. LOUIS MUSIC, INC.						
SIGNATURES:		DATE:				
DRAWN:	BR	09-Jan-03	11880 Borman Dr., St. Louis, Missouri 63146			
CHK'D:			FIRST USED ON:			
RLS'D:						
TOLERANCES:	DRAWING SIZE: 26 by 16.8	DRAWING TYPE: ASSEM		DRAWING TITLE: FINAL ASSEMBLY		
	CLASS CODE: 00-560_PKG	DRAWING NO.:		00-560		
SCALE: 0.091	SHEET: 1 of 2					

A

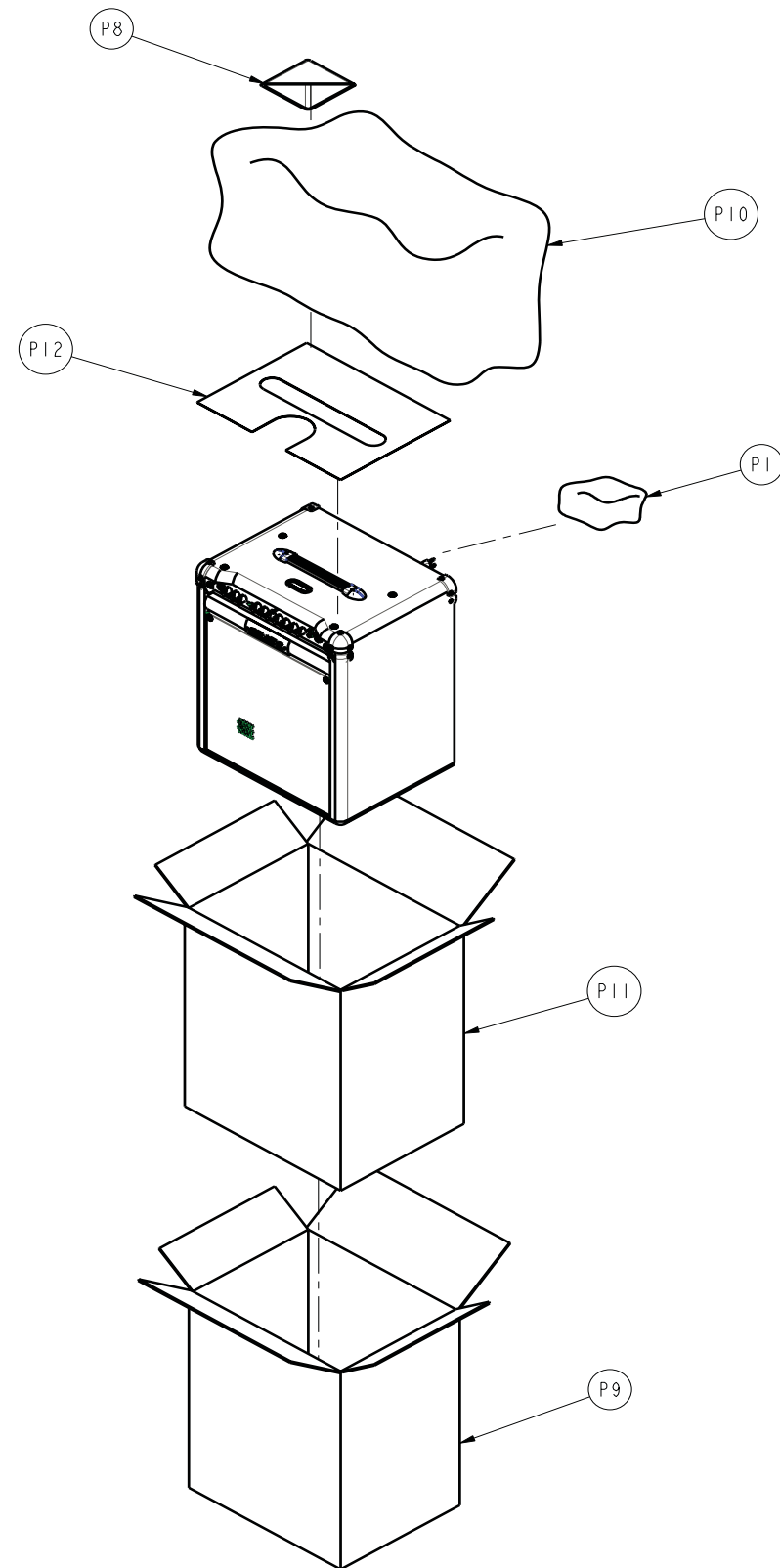
B


C

D

E

F



0	04/12/05	CONTROL ISSUE		MJK		
D	07/07/04	ADDED AMP TOPPER	R01288	DDG		
C	04/20/04	REMOVED CE AND ETL LABELS PER ECR	R01231	DDG		
B	07/31/03	ADDED POP BOX	R01037	JRC		
A	07/18/03	INITIAL ISSUE		JRC		
REV:	DATE:	DESCRIPTION	ECR/ECN NO:	CHNG'D BY:	APPR'D BY:	DATE:
THE INFORMATION CONTAINED ON THIS DRAWING IS PROPRIETARY TO ST. LOUIS MUSIC, INC.						
SIGNATURES:		DATE:				
DRAWN:	BR	09-Jan-03	11880 Borman Dr. St. Louis, Missouri 63146			
CHK'D:			FIRST USED ON:			
RLS'D:						
TOLERANCES:	DRAWING SIZE:	26 by 16.8	DRAWING TITLE:			
	DRAWING TYPE:	ASSEM	FINAL ASSEMBLY			
	CLASS CODE:	00-560	DRAWING NO.:			
SCALE:	0.250	SHEET:	2 of 2	00-560		

INDENTED PARTS LIST BT50Ca

Printed at SLM Electronics

Page: 1

LEVEL	PART NO.	DESCRIPTION	DESCRIPTION2	QUANTITY	UM	MB
0----	BT50Ca	50W 1X12" BASS COMBO	DOMESTIC VERSION	0.00	EA	M
-1---	08-752-01	BT50a COVERED CAB	ASSEMBLY	1.00	EA	M
--2--	02-450-01	CABINET COVERING GLUE	500 LBS PER DRUM	0.35	LB	B
--2--	04-637-001	BT50 RAW CAB ASSEMBLY		1.00	EA	M
---3-	04-637-010	PANEL, BAFFLE BOARD		1.00	EA	M
----4	55-300-01	3/4" X 4' X 8' OSB	END LOAD	1.93	FT	B
---3-	04-637-100	PANEL, TOP BOARD		1.00	EA	M
----4	55-175-01	3/4" IND. PARTICLE BD.	BREAK 1/2UNITS ENDLO	1.59	FT	B
---3-	04-637-200	PANEL, RIGHT SIDE BRD		1.00	EA	M
----4	55-162-01	5/8" IND PARTICLE BORD	BREAK 1/2 UNIT 5X8 S	1.79	FT	B
---3-	04-637-300	PANEL, BOTTOM BOARD		1.00	EA	M
----4	55-175-01	3/4" IND. PARTICLE BD.	BREAK 1/2UNITS ENDLO	1.59	FT	B
---3-	04-637-400	PANEL, LEFT SIDE BRD		1.00	EA	M
----4	55-162-01	5/8" IND PARTICLE BORD	BREAK 1/2 UNIT 5X8 S	1.79	FT	B
---3-	04-637-700	PANEL, BACK BOARD		1.00	EA	M
----4	55-162-01	5/8" IND PARTICLE BORD	BREAK 1/2 UNIT 5X8 S	1.48	FT	B
---3-	04-637-800	PANEL, TRAY BOARD		1.00	EA	M
----4	55-162-01	5/8" IND PARTICLE BORD	BREAK 1/2 UNIT 5X8 S	1.31	FT	B
---3-	04-637-900	BT50 SIDE CLEAT		2.00	EA	M
----4	55-162-01	5/8" IND PARTICLE BORD	BREAK 1/2 UNIT 5X8 S	0.13	FT	B
---3-	04-637-901	BT50 BAFFLE CLEAT		1.00	EA	M
----4	55-377-01	1" GRADE A MDF FIBER-	BOARD 4X8 SHEETS	0.10	FT	B
--2--	26-301-01	BLK SRO		1.05	SY	B
-1---	15B148-20	2-BUTTON FOOTSWITCH		1.00	EA	B
-1---	16-703-01	BT50a CHASSIS ASSY		1.00	EA	M
--2--	07-848-01	BT50a PWA		1.00	EA	M
---3-	07-000-00	WAVE SOLDER OPERATION		1.00	EA	M
----4	01-000-00	NS NO COST PART	DO NOT DELETE THIS R	1.00	EA	B
---3-	07-000-01	GOOP OPERATION		1.00	EA	M
----4	01-000-00	NS NO COST PART	DO NOT DELETE THIS R	1.00	EA	B
---3-	07A848-01	BT50a PWA SUB ASSY		1.00	EA	M
----4	06A848-01	BT25/BT50 PWB		1.00	EA	B
----4	10A101-21	AI 100PF 200V 10% NPO	SA102A101JAA	1.00	EA	B
----4	10A103-11	.01 MFD 100V 10% X7R	SA201C103KAA	1.00	EA	B
----4	10A104-01	0.1 MFD 50V 10% X7R	SA305C104KAA	11.00	EA	B
----4	10A153-01	.015 MFD 50V 10% X7R	SA105C153KAA	3.00	EA	B
----4	10A221-11	220 PF 100V 10% NPO	SA101A221JAA	2.00	EA	B
----4	10A222-11	.0022 MFD 100V 10% NPO	SA101C222KAA	1.00	EA	B
----4	10A223-01	.022 MFD 50V 10% X7R	SA105C223KAA	1.00	EA	B
----4	10A224-01	.22 MFD 50V 10% X7R	SA305C224KAA	5.00	EA	B
----4	10A332-01	.0033 MFD 100V 10% X7R	SA101C332KAA	2.00	EA	B
----4	10A471-21	470 PF 200V 10% NPO	MA302A471KAA	1.00	EA	B
----4	10A472-11	.0047 MFD 100V 10% X7R	SA101C472KAA	1.00	EA	B
----4	10A473-11	.047 MFD 100V 10% X7R	SA301C473KAA	1.00	EA	B
----4	10A560-21	56 PF 200V 5% NPO	SA102A560JAA	4.00	EA	B
----4	10R104-03	.1 MFD RAD POLYCAP	10% 100V T&R 5MM LS	4.00	EA	B
----4	12R105-50	1UF 50V RADIAL TAPED	4MMD X 7MMH X 5MMLS	2.00	EA	B
----4	12R105-51	1UF 50VNP RADIAL TAPED	4.5MMD X 8MMH X 5MML	2.00	EA	B

Printed on: 7/13/2006 3:17:18 PM

INDENTED PARTS LIST BT50Ca

Printed at SLM Electronics

Page: 2

LEVEL	PART NO.	DESCRIPTION	DESCRIPTION2	QUANTITY	UM	MB
----	4	12R106-35	10UF 35V RADIAL TAPED	5.5MMD X 8MMH X 5MML	4.00	EA B
----	4	12R106-36	10UF 35VNP RADIAL TAPE	6.8MMD X 8MMH X 5MML	1.00	EA B
----	4	12R107-32	100UF 35V 8 X 11MM TAPED		3.00	EA B
----	4	12R225-50	2.2UF 50V RADIAL TAPED	4.5MMD X 8MMH X 5MML	2.00	EA B
----	4	12R225-51	2.2UF 50VNP RADIAL TAP	4.5MMD X 8MMH X 5MML	1.00	EA B
----	4	12R476-35	47UF 35V RADIAL TAPED	6.8MMD X 13MMH X 5MM	2.00	EA B
----	4	17-836-01	.250" PC TAB ON REEL	STABLE LOCK 6021-6	2.00	EA B
----	4	17-894-01	.187" PC TAB ON REEL	STABLE LOCK 6024-	8.00	EA B
----	4	21A146-01	1N746ARL 3.3V ZEN DIOD		2.00	EA B
----	4	21A402-01	1N4002TR DIODE PLASTIC	1 AMP 100 PIV	4.00	EA B
----	4	21A444-01	1N4744ARL 15V 5% 1WZEN		2.00	EA B
----	4	21A914-01	1N914 OR 1N4148 T&R		10.00	EA B
----	4	37-072-01	TLO-72CP IC CHIP		6.00	EA B
----	4	37-413-01	CMOS DUAL FLIP/FLOPS	"D" TYPE	1.00	EA B
----	4	76-000-05	22 GA TINNED COPPER	BUS WIRE 5K FT PUTUP	48.00	EA B
----	4	76-047-01	4.7 OHM 1/4W 5% TR RES		2.00	EA B
----	4	76-101-01	100 OHM 1/4W 5% RES TR		1.00	EA B
----	4	76-102-01	1K OHM 1/4W 5% RES T&R		6.00	EA B
----	4	76-103-01	10K OHM 1/4W 5% RES TR		6.00	EA B
----	4	76-104-01	100K 1/4W 5% RES T&R		5.00	EA B
----	4	76-105-01	1 MEG 1/4W 5% RES T&R		6.00	EA B
----	4	76-152-01	1.5K 1/4W 5% RES T&R		1.00	EA B
----	4	76-153-01	15K OHM 1/4W 5%RES T&R		2.00	EA B
----	4	76-154-01	150K 1/4W 5% RES T&R		1.00	EA B
----	4	76-221-01	220 OHM 1/4W 5% RES TR		2.00	EA B
----	4	76-222-01	2.2K 5% 1/4W RES T&R		4.00	EA B
----	4	76-223-01	22K OHM 1/4W 5% RES TR		13.00	EA B
----	4	76-224-01	220K 1/4W 5% RES T&R		2.00	EA B
----	4	76-333-01	33K OHM 1/4W 5% RES TR		1.00	EA B
----	4	76-470-01	47 OHM 1/4W 5% RES T&R		4.00	EA B
----	4	76-471-01	470 OHM 1/4W 5% RES TR		4.00	EA B
----	4	76-472-01	4.7K 1/4W 5% RES T&R		5.00	EA B
----	4	76-473-01	47K 1/4W 5% RES T&R		13.00	EA B
----	4	76-474-01	470K 1/4W 5% RES T&R		1.00	EA B
----	4	76-681-01	680 OHM 1/4W 5% RES TR		2.00	EA B
----	4	77-102-03	1.0K 5% 1/2W FLAMEPRUF	USE 1/4 W SPAN	1.00	EA B
----	4	77-152-01	1.5K 1/2W 5% RES T&R		1.00	EA B
----	4	77-221-01	220 OHM 1/2W 5% RES TR		2.00	EA B
----	4	78A152-01	1.5K OHM, 1W, 5% RES	TAPE AND REEL	1.00	EA B
----	4	96R013-01	MPS-A13	RADIAL TAPED	3.00	EA B
----	4	96R175-01	J175 FET TO-92	RADIAL TAPED	7.00	EA B
----	4	96R510-01	2N5210 NPN TO-92	RADIAL TAPED	1.00	EA B
----	4	96R588-01	2N5088 TO-92	RADIAL TAPED	3.00	EA B
---	3-	10-332-01	.0033 DISC 20% UL VDE		1.00	EA B
---	3-	10F224-03	.22 MFD RAD POLY 10%	100V FORMED 5MM LS	2.00	EA B
---	3-	12-478-25	4700MFD RAD EL 25VBULK	L33 X D19 X 7.5-FORM	2.00	EA B
---	3-	17-105-03	3 PIN .1" ST POL LOCK	MLSS100-3-D HEADER	1.00	EA B
---	3-	17-310-02	MFSS156-2-D		1.00	EA B

Printed on: 7/13/2006 3:17:18 PM

INDENTED PARTS LIST BT50Ca

Printed at SLM Electronics

Page: 3

LEVEL	PART NO.	DESCRIPTION	DESCRIPTION2	QUANTITY	UM	MB
---	3-	21-224-01	RED LED RIGHT ANGLE	1.00	EA	B
---	3-	21-227-01	GREEN RT ANGLE LED	1.00	EA	B
---	3-	21-541-01	1N5401 DIODE/MOTOROLA	4.00	EA	B
---	3-	23-312-01	3AG FUSE-T2A250V GLASS	1.00	EA	B
---	3-	23-926-02	Universal Fuse Clip	2.00	EA	B
---	3-	30-408-52	4-40 X 1/2 PPHEAD M/S	2.00	EA	B
---	3-	30-442-52	4-40 A.F. HEXKEPS ASSY	2.00	EA	B
---	3-	30-638-53	6-32X3/8" PPH MS SEMS	2.00	EA	B
---	3-	30-700-01	6-32 HEX KEPNUT ASSY	2.00	EA	B
---	3-	33-133-51	BX-25 HEATSINK	1.00	EA	B
---	3-	35-043-01	NYLON BUSHING NATURAL	2.00	EA	B
---	3-	35-575-01	BERGQUIST K10-58 INSUL	2.00	EA	B
---	3-	37-250-01	TDA 2050H 30W PWR IC	2.00	EA	B
---	3-	39-116-01	CLIFF S2-BNB-BLK/PC/A	2.00	EA	B
---	3-	39-117-01	CLIFF S2-BBB-BLK/PC/A	2.00	EA	B
---	3-	39-121-05	DUAL RCA HORIZ MOUNT	1.00	EA	B
---	3-	66-100-01	VTL-5C7 VACTROL	1.00	EA	B
---	3-	70-103-77	10KL METAL SHAFT W/NUT	1.00	EA	B
---	3-	70-254-77	250KL METALSHAFT W/NUT	1.00	EA	B
---	3-	70-503-77	50KL METAL SHAFT W/NUT	8.00	EA	B
---	3-	88-302-02	MINI DPDT PC SWITCH	1.00	EA	B
---	3-	99-124-02	12 PIN 3" FLAT CABLE	1.00	EA	B
---	3-	99-195-18	8-PIN 250mm RIBBON CBL	1.00	EA	B
--2--	--	15-371-01	BT50a SCREENED CHASSIS	1.00	EA	B
--2--	--	30-301-01	CLIFF JACK N/C NUTSET	4.00	EA	B
--2--	--	30-440-08	#4 X 1/4 IN PLASTITE	1.00	EA	B
--2--	--	30-631-01	#6 INT LOCKW. ZINC PLT	1.00	EA	B
--2--	--	30-638-52	6-32 X 3/8 PPH TFS W/	6.00	EA	B
--2--	--	30-639-53	6-32 X 9/16 PPH MS W/	1.00	EA	B
--2--	--	30-650-53	6-32 X 1/2 PPH MS	1.00	EA	B
--2--	--	30-700-01	6-32 HEX KEPNUT ASSY	1.00	EA	B
--2--	--	30-775-01	M7 X .75 DC HEX NUT	10.00	EA	B
--2--	--	30-827-01	#8-32 NUT RETAINER	4.00	EA	B
--2--	--	30-834-01	8-32 HEX KEPNUT ASSY	4.00	EA	B
--2--	--	30-835-01	8 SAE FLATWASH ZINC	5.00	EA	B
--2--	--	45-754-01	BT SERIES GREEN KNOB	10.00	EA	B
--2--	--	47-000-01	FUSE REPL/GND LABL SET	1.00	EA	B
--2--	--	47-713-04	T2A 250V SM LABEL CE	1.00	EA	B
--2--	--	68-001-01	4" CABLE TIE 18LBS	2.00	EA	B
--2--	--	85-100-01	BLACK STRAIN RELIEF	1.00	EA	B
--2--	--	85-102-01	BLACK STRAIN RELIEF	1.00	EA	B
--2--	--	88-212-01	10AMP SMALL AC SWITCH	1.00	EA	B
--2--	--	94-127-01	25W X 2 @ 4 OHMS	1.00	EA	B
--2--	--	97-136-01	B-20XL SPK HNS	1.00	EA	M
---	3-	17-205-02	.205 X.020 TIN FASTON	2.00	EA	B
---	3-	17-300-02	CE156-F-20-2D\$ CONNECT	1.00	EA	B
---	3-	98-202-01	20 GA RED UL1007 WIRE	20.00	IN	B
---	3-	98-206-01	20 GA BLACK UL1007WIRE	20.00	IN	B

Printed on: 7/13/2006 3:17:18 PM

INDENTED PARTS LIST BT50Ca

Printed at SLM Electronics

Page: 4

LEVEL	PART NO.	DESCRIPTION	DESCRIPTION2	QUANTITY	UM	MB
--2--	97-152-04	4" .187/.187 BLK WIRE		1.00	EA	M
---3-	17-187-01	.187" FULL INS FASTON	.187 X .032 REELED	2.00	EA	B
---3-	98-206-01	20 GA BLACK UL1007WIRE	5K FT MAX. REEL QTY	4.00	IN	B
--2--	99-079-01	9' AC CORD ASSY		1.00	EA	B
-1---	18-761-06	BT50 SHIP CARTON		1.00	EA	B
-1---	18-919-70	BT50 POP BOX		1.00	EA	B
-1---	30-424-51	4-24 X 1/2" PPH TYPE A	TAP SCREW BLACK ZIN	6.00	EA	B
-1---	30-612-01	6-18 X 1/2" PPH "A"/T/S	BLACK ZINC	16.00	EA	B
-1---	30-612-10	6-18 X 3/4" PHIL OVAL	HD. TYPE A T/S BLKZI	6.00	EA	B
-1---	30-819-10	#9-10 X 1"PPH LO ROOT	#10 HEAD BLACK ZINC	8.00	EA	B
-1---	30-819-51	#8 X 1-3/4 PH OVAL	LO ROOT BLACK ZINC	4.00	EA	B
-1---	30-830-21	#8-32 X 1-1/2 PH OVAL	MS BLACK ZINC	6.00	EA	B
-1---	30-832-01	8-32 TNUT 1/4"LBR 3PRG	.209BRDIA.ZINC23/32D	2.00	EA	B
-1---	30-835-71	#8 FLANGED S/STEEL	FINISH WASHER BLK ZI	8.00	EA	B
-1---	47-078-01	GENERIC LTD WAR CARD		1.00	EA	B
-1---	47-350-02	SERIAL NUMBER LABEL		1.00	EA	B
-1---	47-350-03	SHIP CARTON LABEL		1.00	EA	B
-1---	47-376-01	BT25/BT50 OWNER MANUAL		1.00	EA	B
-1---	47-602-01	CRATE-GENERIC HANG TAG		1.00	EA	B
-1---	47-721-01	BT50 AMP TOPPER		1.00	EA	B
-1---	47-906-03	FOOTSWITCH ENCLOSED	LABEL	1.00	EA	B
-1---	51-111-01	PENN 9" STRAP HANDLE	BLACK W/ STEEL INSER	1.00	EA	B
-1---	51-111-02	PENN BLACK PLASTIC	HANDLE ENDS	2.00	EA	B
-1---	51-131-01	BT50a HEX PERF GRILL		1.00	EA	B
-1---	64-200-01	FC-200 CORNER PADS		8.00	EA	B
-1---	68-058-01	LOGO		1.00	EA	B
-1---	68-223-01	TUBE FLANGE W/2" PORT	BLACK ABS MATERIAL	2.00	EA	B
-1---	68-547-01	SM FRT CORNER		4.00	EA	B
-1---	68-547-51	SM REAR CORNER		4.00	EA	B
-1---	68-704-01	36X40 1 MIL HD POLYBAG	250 PER ROLL CLEAR B	1.00	EA	B
-1---	79-001-01	TUNER MODULE		1.00	EA	B
-1---	86-176-08	12", 8OHM, 50W, 1.5VC	H/S # 300HFD1144B	1.00	EA	B

Printed on: 7/13/2006 3:17:18 PM

CRATE

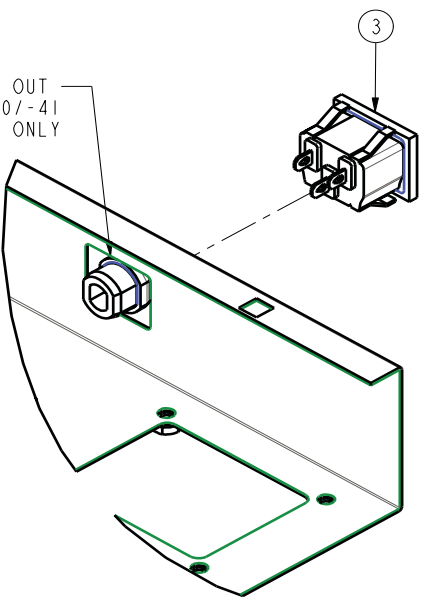
BT50

©2007 LOUD Technologies Inc. All rights reserved

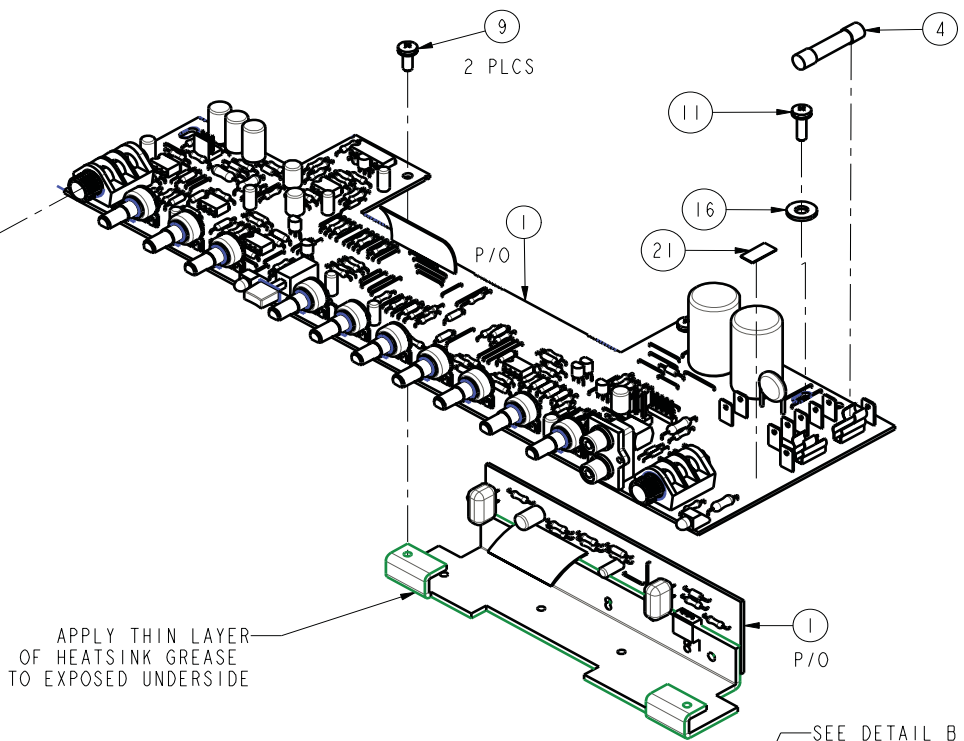
BT50Ca Parts List

PAGE 4

PUNCH OUT
-30/-31/-40/-41
ONLY

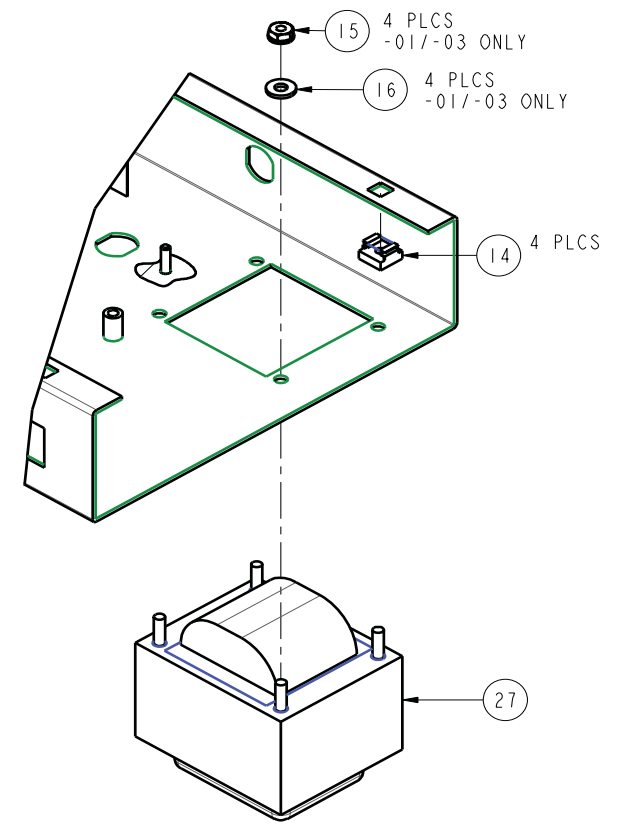


DETAIL (A)
MAINS CONN. ASSEMBLY

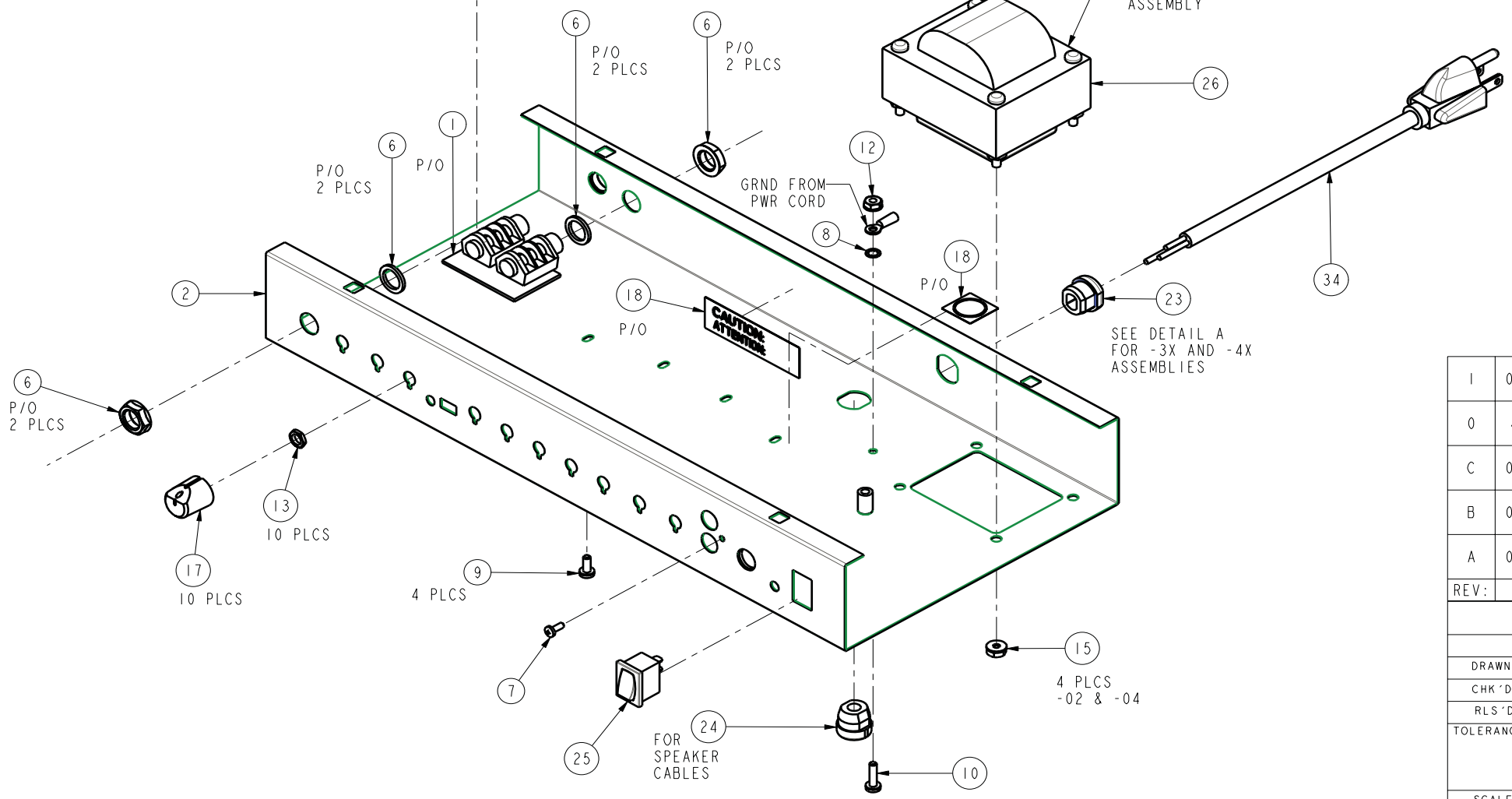



APPLY THIN LAYER
OF HEATSINK GREASE
TO EXPOSED UNDERSIDE

SEE DETAIL B
FOR -01/-03 TRANSFORMER
ASSEMBLY



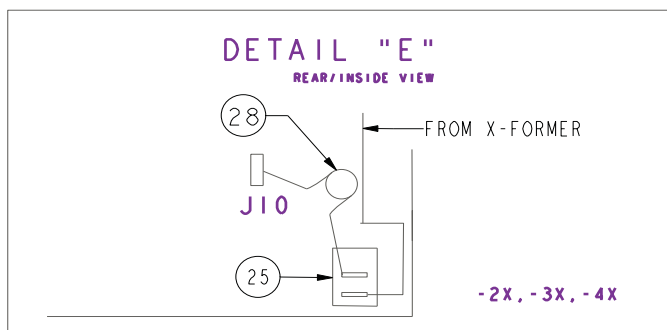
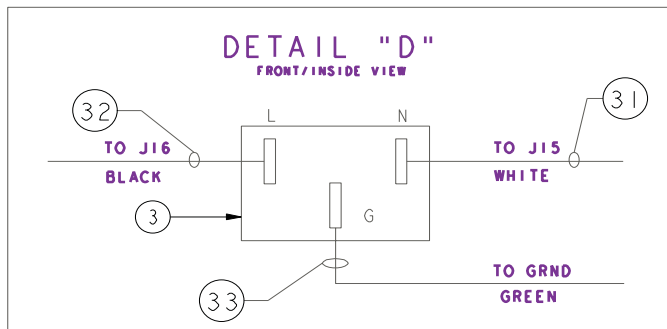
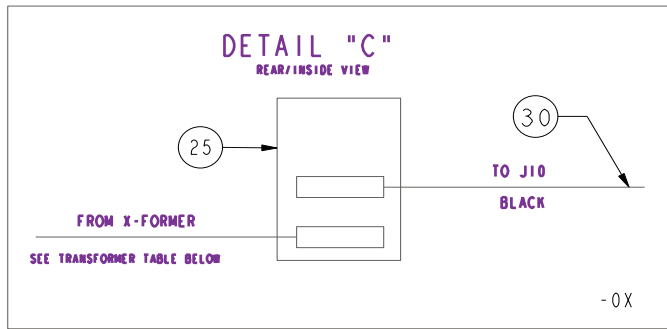
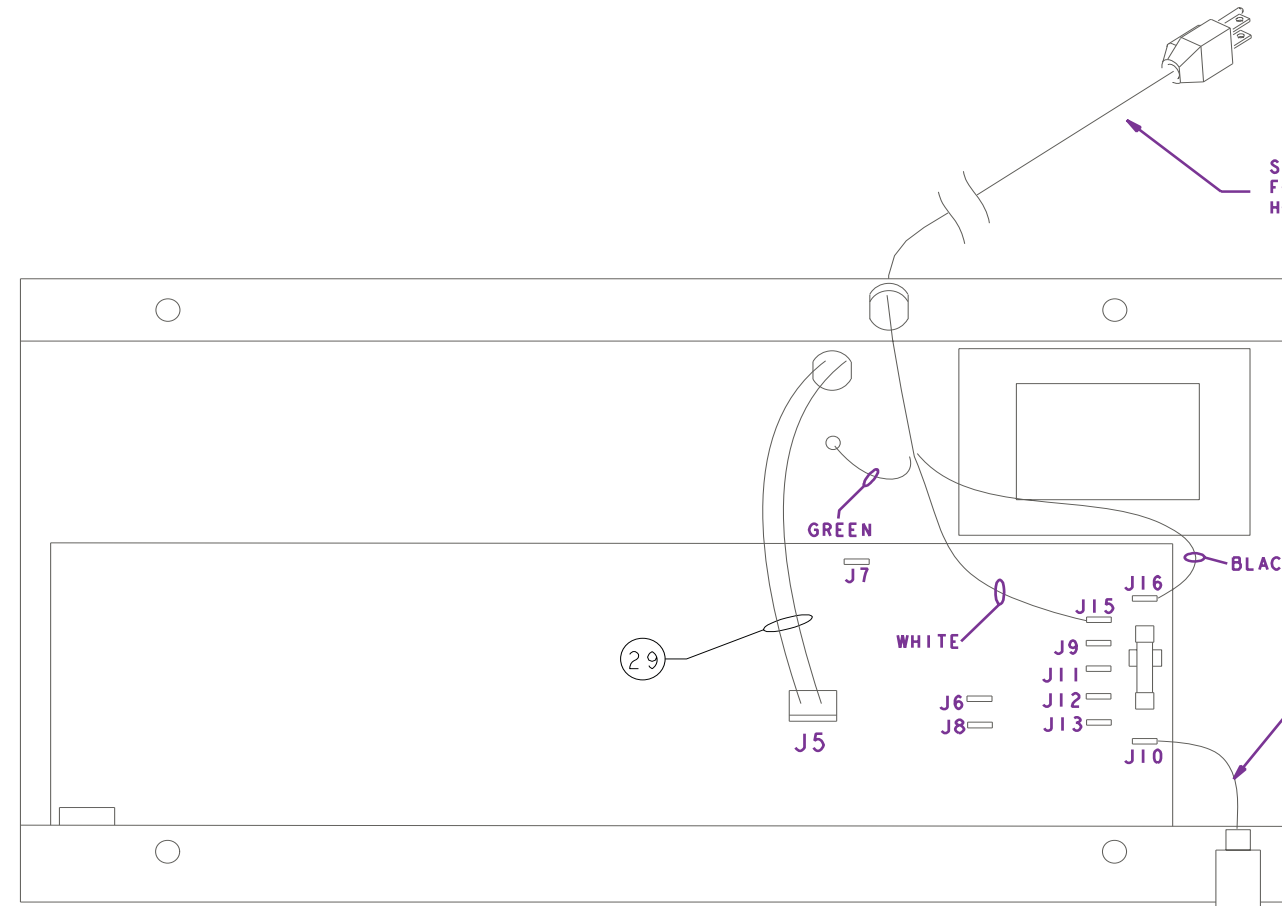
DETAIL (B)
-01 TRANSFORMER ASSEMBLY



1	04/27/05	ADDED NEW CONFIG.	N01792	MJK	
0	4/11/05	CONTROL ISSUE		MJK	
C	04/20/04	REMOVED LABELS PER ECR	R01231	DDG	
B	03/10/04	ADDED CAGE NUTS TO -02/-24/-31/-41	R01187	DDA	
A	07/02/03	INITIAL ISSUE		JRC	
REV:	DATE:	DESCRIPTION	ECR/ECN NO:	CHNG'D BY:	APPR'D BY: DATE:
THE INFORMATION CONTAINED ON THIS DRAWING IS PROPRIETARY TO ST. LOUIS MUSIC, INC.					
SIGNATURES:		DATE:		 11880 Borman Dr. St. Louis, Missouri 63146	
DRAWN:	BR	03-Jan-03		FIRST USED ON:	
CHK'D:					
RLS'D:					
TOLERANCES:	DRAWING SIZE:	B		DRAWING TITLE:	
	DRAWING TYPE:			CHASSIS ASSEMBLY	
	CLASS CODE:			DRAWING NO.:	
SCALE:	0.563	SHEET:	1 of 2	16-703-XX	

WIRING DIAGRAM

TOP VIEW OF CHASSIS



USE (22) TO TIE PRIMARY TRANSFORMER WIRES
USE (22) TO TIE SECONDARY TRANSFORMER WIRES

PWR XFMR	PRIMARY	BROWN	NOT USED	J11	J11	DETAIL "C"
		GRAY/WHITE	NOT USED	J12	DETAIL "C"	J11
		BLACK	DETAIL "C"	J13	J12	J12
		BLUE	NOT USED	DETAIL "C"	J13	J13
		WHITE	J9	J9	J9	J9
	SECONDARY	RED	J6	J6	J6	J6
		GREEN	J7	J7	J7	J7
		RED	J8	J8	J8	J8
		WIRE COLOR	-0X	-2X	-3X	-4X
TAB CONNECTIONS						

REV:	DATE:	DESCRIPTION	ECR/ECN NO:	CHNG'D BY:	APPR'D BY:	DATE:
I	04/27/05	ADDED NEW CONFIG.	N01792	MJK		
O	4/11/05	CONTROL ISSUE		MJK		
C	04/20/04	REMOVED LABELS PER ECR	R01231	DDG		
B	03/10/04	ADDED CAGE NUTS TO -02/-24/-31/-41	R01187	DDA		
A	07/02/03	INITIAL ISSUE		JRC		
THE INFORMATION CONTAINED ON THIS DRAWING IS PROPRIETARY TO ST. LOUIS MUSIC, INC.						
SIGNATURES:		DATE:				
DRAWN:	BR	03-Jan-03	11880 Borman Dr. St. Louis, Missouri 63146			
CHK'D:			FIRST USED ON:			
RLS'D:			DRAWING TITLE:			
TOLERANCES:	DRAWING SIZE: B		CHASSIS ASSEMBLY			
	DRAWING TYPE:		DRAWING NO.:			
	CLASS CODE:		16-703-XX			
SCALE:	0.725	SHEET: 2 of 2				

CRATE®

BT50 Common Failure Modes

Transferred September 2007

COMMON FAILURE MODES

1. INTERMITTENT OR NO OUTPUT
 - A. CHECK FOR POOR SOLDER CONNECTIONS ON JACKS
 - B. CHECK FOR POOR SOLDER CONNECTIONS ON POTENTIOMETERS
 - C. MAKE CONTACTS ON JACKS ARE CLEAN AND SECURE.

PARTS LIST										
ITEM	PART NUMBER	DESCRIPTION	QTY REQ'D						U/M	
			BT50Ca	BT50CaJ	BT50CaM	BT50CaU	BT50CaW			
1	08-752-01	BT50a COVERED CAB	1	1	1	1	1			EA
2	16-703-01	BT50a CHASSIS ASSY	1							EA
2	16-703-03	BT50aM CHASSIS ASSY			1					EA
2	16-703-23	BT50aJ CHASSIS ASSY		1						EA
2	16-703-30	BT50aW CHASSIS ASSY						1		EA
2	16-703-40	BT50aU CHASSIS ASSY				1				EA
3	30-424-51	4-24 X 1/2" PPH TYPE A	6	6	6	6	6	6		EA
4	30-612-01	6-18 X 1/2" PPH "A"/T/S	16	16	16	16	16	16		EA
5	30-612-10	6-18 X 3/4" PHIL OVAL	6	6	6	6	6	6		EA
6	30-819-10	#9-10 X 1"PPH LO ROOT	8	8	8	8	8	8		EA
7	30-819-51	#8 X 1-3/4 PH OVAL	4	4	4	4	4	4		EA
8	30-830-21	#8-32 X 1-1/2 PH OVAL	6	6	6	6	6	6		EA
9	30-832-01	8-32 TNUT 1/4"LBR 3PRG	2	2	2	2	2	2		EA
10	30-835-71	#8 FLANGED S/STEEL	8	8	8	8	8	8		EA
11	47-350-02	SERIAL NUMBER LABEL	1	1	1	1	1	1		EA
13	51-111-01	PENN 9" STRAP HANDLE	1	1	1	1	1	1		EA
14	51-111-02	PENN BLACK PLASTIC	2	2	2	2	2	2		EA
15	51-131-01	BT50a HEX PERF GRILL	1	1	1	1	1	1		EA
16	68-058-01	LOGO	1	1	1	1	1	1		EA
17	68-223-01	TUBE FLANGE W/2" PORT	2	2	2	2	2	2		EA
18	68-547-01	SM FRT CORNER	4	4	4	4	4	4		EA
19	68-547-51	SM REAR CORNER	4	4	4	4	4	4		EA
20	79-001-01	TUNER MODULE	1	1	1	1	1	1		EA
21	86-176-08	12", 8OHM, 50W, 1.5VC	1	1	1	1	1	1		EA
P1	15B148-20	2-BUTTON FOOTSWITCH	1	1	1	1	1	1		EA
P2	47-078-01	GENERIC LTD WAR CARD	1	1	1	1	1	1		EA
P3	47-350-03	SHIP CARTON LABEL	1	1	1	1	1	1		EA
P4	47-376-01	BT25/BT50 OWNER MANUAL	1	1	1	1	1	1		EA
P5	47-602-01	CRATE-GENERIC HANG TAG	1	1	1	1	1	1		EA
P6	47-906-03	FOOTSWITCH ENCLOSED	1	1	1	1	1	1		EA
P7	47-906-01	EXPRT W/O LINE CRD LBL				1	1	1		EA
P7	47-906-02	EXPRT W/ LINE CRD LBL		1						EA
P8	64-200-01	FC-200 CORNER PADS	8	8	8	8	8	8		EA
P9	18-761-06	BT50 SHIP CARTON	1	1	1	1	1	1		EA
P10	68-704-01	36X40 1 MIL HD POLYBAG	1	1	1	1	1	1		EA
P11	18-919-70	BT50 POP BOX	1	1	1	1	1	1		EA
P12	47-721-01	BT50 AMP TOPPER	1	1	1	1	1	1		EA

Section 1 - Page 1 of 1

BOM captured on 5/3/05

C	4/19/04	DELETED SPECIFIC LABELS	R01231	DDA		
B	7/29/03	SHIP CARTON CORR.	R01037	.JRC		
A	7/18/03	Initial Issue		.JRC		
Rev.	Date	Description	ECO/ECR No.	Chng'd by:	Appr'vd by	Date
THE INFORMATION CONTAINED ON THIS DRAWING IS PROPRIETARY TO ST. LOUIS MUSIC, INC.						
Signatures:			Date:		<i>SLM Electronics</i>	
Drawn:					11880 Borman Drive. St. Louis. MO 63146	
Checked:					First Used On:	
Released:						
Tolerance:		Drawing Size: A		Drawing Title: Bass Amplifier		
		Drawing Type: Parts List		Drawing No: 00-560-PL		
		Class Code: n/a				
		Scale: Sheet 1 of 1				

1	5/3/05	Added "M" confin	N01798	DDG		
0	4/11/05	Control Issue		MJK		
D	7/5/04	ADDED TOPPER	R01288	DDG		
Rev.	Date	Description	ECO/ECR No.	Chng'd by:	Appr'vd by	Date

PARTS LIST											
ITEM	PART NUMBER	DESCRIPTION	QTY REQ'D							U/M	SYM
			16-703-01	16-703-02	16-703-03	16-703-04	16-703-23	16-703-24	16-703-30		
1	07-848-01	BT50a PWA	1		1		1		1		EA
1	07-848-02	BT25a PWA		1		1		1		1	EA
2	15-371-01	BT50a SCREENED CHASSIS	1					1		1	EA
2	15-371-02	BT25a SCREENED CHASSIS		1				1		1	EA
2	15-371-03	BT50 CHASSIS M VERS			1						EA
2	15-371-04	BT25 CHASSIS M VERS				1					EA
3	17-603-01	MAINS CONNECTOR,SNAPIN							1	1	EA
4	23-301-05	1A 250V 3AG SB GLASS							-1		EA
4	23-312-01	3AG FUSE-T2A250V GLASS						-1		-1	EA
4	23-508-05	IEC FUSE-T.8A250V CERM							1	1	EA
4	23-516-05	IEC FUSE-T1.6A250V CER							1		EA
4	23-525-05	2.5A/250V IEC127						1			EA
6	30-301-01	CLIFF JACK N/C NUTSET	4	4	4	4	4	4	4	4	EA
7	30-440-08	#4 X 1/4 IN PLASTITE	1	1	1	1	1	1	1	1	EA
8	30-631-01	#6 INT LOCKW. ZINC PLT	1	1	1	1	1	1	1	1	EA
9	30-638-52	6-32 X 3/8 PPH TFS W/	6	6	6	6	6	6	6	6	EA
10	30-639-53	6-32 X 9/16 PPH MS W/	1	1	1	1	1	1	1	1	EA
11	30-650-53	6-32 X 1/2 PPH MS	1	1	1	1	1	1	1	1	EA
12	30-700-01	6-32 HEX KEPNUT ASSY	1	1	1	1	1	1	1	1	EA
13	30-775-01	M7 X .75 DC HEX NUT	10	10	10	10	10	10	10	10	EA
14	30-827-01	#8-32 NUT RETAINER	4	4	4	4	4	4	4	4	EA
15	30-834-01	8-32 HEX KEPNUT ASSY	4	4	4	4	4	4	4	4	EA
16	30-835-01	8 SAE FLATWASH ZINC	5	1	5	1	5	1	5	1	EA
17	45-754-01	BT SERIES GREEN KNOB	10	10	10	10	10	10	10	10	EA
18	47-000-01	FUSE REPL/GND LABL SET	1	1	1	1	1	1	1	1	EA
21	47-713-01	T1.6A 250V SM Label							1		EA
21	47-713-03	T1A 250V SM LABEL CE		1			1				EA
21	47-713-04	T2A 250V SM LABEL CE	1		1						EA
21	47-713-07	T.8A 250V SM LABEL CE							1	1	EA
21	47-713-10	T2.5 FUSE LABEL 250V						1			EA
22	68-001-01	4" CABLE TIE 18LBS	2	2	2	2	2	2	2	2	EA
23	85-100-01	BLACK STRAIN RELIEF	1	1	1	1	1	1			EA
24	85-102-01	BLACK STRAIN RELIEF	1	1	1	1	1	1	1	1	EA
25	88-212-01	10AMP SMALL AC SWITCH	1	1	1	1	1	1	1	1	EA
26	94-119-01	GX-30M 30W TRANSFORMER		1		1					EA
26	94-119-40	EXPORT 230/240V @ 30W							1	1	EA
27	94-127-01	25W X 2 @ 4 OHMS	1		1						EA
27	94-127-40	BX-50 EXPORT PWR XFMR						1		1	EA
28	97-123-21	3A ICL W/.187F FASTONS						1	1	1	EA
29	97-136-01	B-20XL SPK HNS	1	1	1	1	1	1	1	1	EA

Section 1 - Page 1 of 2
BOM captured on 4/27/05

C	4/19/04	DELETED SPECIFIC LABELS	R01231	DDA		
B	3/10/04	ADDED CAGE NUTS	R01187	DDA		
A	7/3/03	Initial Issue		JRC		
Rev.	Date	Description	ECO/ECR No.	Chng'd by:	Appr'd by	Date
THE INFORMATION CONTAINED ON THIS DRAWING IS PROPRIETARY TO ST. LOUIS MUSIC, INC.						
Signatures:			Date:		SLM Electronics 11880 Borman Drive. St. Louis. MO 63146 First Used On:	
Drawn:						
Checked:						
Released:						
Tolerance:		Drawing Size: A		Drawing Title: Chassis Assy		
		Drawing Type: Parts List		Drawing No: 16-703-PL		
		Class Code: n/a				
		Scale: Sheet 1 of 4				

1	4/27/05	ADDED -03 & -04 CONFIGS.	N01792	MJK		
0	6/17/04	Control Issue		P.IF		
Rev.	Date	Description	ECO/ECR No.	Chng'd by:	Appr'd by	Date

PARTS LIST											
ITEM	PART NUMBER	DESCRIPTION	QTY REQ' D						U/M	SYM	
			16-703-40	16-703-41							
1	07-848-01	BT50a PWA	1							EA	
1	07-848-02	BT25a PWA		1						EA	
2	15-371-01	BT50a SCREENED CHASSIS	1							EA	
2	15-371-02	BT25a SCREENED CHASSIS		1						EA	
2	15-371-03	BT50 CHASSIS M VERS								EA	
2	15-371-04	BT25 CHASSIS M VERS								EA	
3	17-603-01	MAINS CONNECTOR,SNAPIN	1	1						EA	
4	23-301-05	1A 250V 3AG SB GLASS		-1						EA	
4	23-312-01	3AG FUSE-T2A250V GLASS	-1							EA	
4	23-508-05	IEC FUSE-T.8A250V CERM	1	1						EA	
4	23-516-05	IEC FUSE-T1.6A250V CER								EA	
4	23-525-05	2.5A/250V IEC127								EA	
6	30-301-01	CLIFF JACK N/C NUTSET	4	4						EA	
7	30-440-08	#4 X 1/4 IN PLASTITE	1	1						EA	
8	30-631-01	#6 INT LOCKW. ZINC PLT	1	1						EA	
9	30-638-52	6-32 X 3/8 PPH TFS W/	6	6						EA	
10	30-639-53	6-32 X 9/16 PPH MS W/	1	1						EA	
11	30-650-53	6-32 X 1/2 PPH MS	1	1						EA	
12	30-700-01	6-32 HEX KEPNUT ASSY	1	1						EA	
13	30-775-01	M7 X .75 DC HEX NUT	10	10						EA	
14	30-827-01	#8-32 NUT RETAINER	4	4						EA	
15	30-834-01	8-32 HEX KEPNUT ASSY	4	4						EA	
16	30-835-01	8 SAE FLATWASH ZINC	5	1						EA	
17	45-754-01	BT SERIES GREEN KNOB	10	10						EA	
18	47-000-01	FUSE REPL/GND LABL SET	1	1						EA	
21	47-713-01	T1.6A 250V SM Label								EA	
21	47-713-03	T1A 250V SM LABEL CE								EA	
21	47-713-04	T2A 250V SM LABEL CE								EA	
21	47-713-07	T.8A 250V SM LABEL CE	1	1						EA	
21	47-713-10	T2.5 FUSE LABEL 250V								EA	
22	68-001-01	4" CABLE TIE 18LBS	2	2						EA	
23	85-100-01	BLACK STRAIN RELIEF								EA	
24	85-102-01	BLACK STRAIN RELIEF	1	1						EA	
25	88-212-01	10AMP SMALL AC SWITCH	1	1						EA	
26	94-119-01	GX-30M 30W TRANSFORMER								EA	
26	94-119-40	EXPORT 230/240V @ 30W		1						EA	
27	94-127-01	25W X 2 @ 4 OHMS								EA	
27	94-127-40	BX-50 EXPORT PWR XFMR	1							EA	
28	97-123-21	3A ICL W/.187F FASTONS	1	1						EA	
29	97-136-01	B-20XL SPK HNS	1	1						EA	

Section 2 - Page 1 of 2
BOM captured on 4/27/05

1	4/27/05	See sheet 1 for revision history				
Rev.	Date	Description	ECO/ECR No.	Chng' d by:	Appr' vd by	Date
THE INFORMATION CONTAINED ON THIS DRAWING IS PROPRIETARY TO ST. LOUIS MUSIC, INC.						
Signatures:			Date:		<i>SLM Electronics</i>	
Drawn:					11880 Borman Drive. St. Louis. MO 63146	
Checked:					First Used On:	
Released:						
Tolerance:		Drawing Size: A		Drawing Title:		
		Drawing Type: Parts List		Chassis Assy		
		Class Code: n/a		Drawing No:		
		Scale: Sheet 3 of 4		16-703-PL		

B	8/6/03	USE XPRT BOM	R01043	WFB		
A	6/2/03	INITIAL ISSUE				
Rev.	Date	DESC.	ECR(s)/ECN(s)	Chgd by	Appvd by	DATE
THE INFORMATION CONTAINED ON THIS DRAWING IS PROPRIETARY TO						
ST. LOUIS MUSIC, INC.						
			SLM Electronics			
			11880 Borman Drive, St. Louis, MO 63146			
Signatures:		Date:				
Drawn: WFB		8/6/03				
Checked:		First Used On:				
Released:						
Tolerance:	Drawing Size:	A		Drawing Title:	PWA BASS AMP	
	Drawing Type:	PL				
	Class Code:			Drawing No.:	07-848-PL	
	Scale:	N/A				

ASSEMBLY PART # 07-848-01

REVISION: B

ITEM	P/N	TOTAL USED	DESC	VALUE	LABEL	MFG P/N 1	MFG P/N 2
PWB1	06A848-01	1	PWB BASS AMP				
C35	10-332-01	1	.0033 uF [20% TOL] UL/VDE DISK	0.0033		DE2E3KH332MA3B -- MURATA	
C17	10A101-21	1	100 pF 200V [10% TOL] NPO	100 pF		SA102A101JAA -- AVX	C410C101J2G5CA -- KEMET
C11	10A103-11	1	.01 uF 100V [10% TOL] X7R	0.01		SA201C103KAA -- AVX	C420C103K1R5CA -- KEMET
C8	10A104-01	11	.1 uF 50V [10% TOL] X7R	0.1		SA305C104KAA -- AVX	C430C104K5R5CA -- KEMET
C12							
C24							
C25							
C36							
C44							
C55							
C56							
C57							
C58							
C59							
C42	10A153-01	3	.015 uF 50V [10% TOL] X7R	0.015		SA105C153KAA -- AVX	C410C153K5R5CA -- KEMET
C43							
C45							
C3	10A221-11	2	220 pF 100V [10% TOL] NPO	220 pF		SA101A221JAA -- AVX	C410C221J1G5CA -- KEMET
C20							
C13	10A222-11	1	.0022uF 100V [10% TOL] NPO	0.0022		SA101C222KAA -- AVX	C410C222K1G5CA -- KEMET
C15	10A223-01	1	.022 uF 50V [10% TOL] X7R	0.022		SA105C223KAA -- AVX	C410C223K5R5CA -- KEMET
C37	10A224-01	5	.22 uF 50V [10% TOL] X7R	0.22		SA305C224KAA -- AVX	C430C224K5R5CA -- KEMET
C46							
C52							
C53							
C54							
C6	10A332-01	2	.0033 uF 100V [10% TOL] X7R	0.0033		SA101C332KAA -- AVX	C410C332K1R5CA -- KEMET
C48							
C38	10A471-21	1	470 pF 200V [10% TOL] NPO	470 pF		MA302A471KAATR -- AVX	C124C471K2G5CA -- KEMET
C7	10A472-11	1	.0047 uF 100V [10% TOL] X7R	0.0047		SA101C472KAA -- AVX	C410C472K1R5CA -- KEMET
C1	10A473-11	1	.047 uF 100V [10% TOL] X7R	0.047		SA301C473KAA -- AVX	C430C473K1R5CA -- KEMET
C2	10A560-21	4	56 pF 200V [5% TOL] NPO	56 pF		SA102A560JAA -- AVX	C410C560J2G5CA -- KEMET
C9							
C14							
C39							
C21	10F224-03	2	.22 uF 100V [10% TOL] RADIAL POLY FORMED	0.22		PEI224KA-SLM -- MERITEK	5TY2ARB224KJC -- SAMHWA
C23							
C27	10R104-03	4	.1 uF 100V [10% TOL] RADIAL POLY	0.1		DLR1P1KR -- CORNELL DUBILIER	5TY2ARB104KAN -- SAMHWA
C28							
C29							
C30							
C26	12-478-25	2	4700 uF 25V 20% EL	4700		1SD1EWB478MSS16031 -- SAMHWA	478CKR025M -- ILLINOIS CAPACITOR
C32							
C10	12R105-50	2	1 uF 50V [20% TOL] EL	1		USA1H010MDA1TE -- AVNET CORP	SSP010M1HC7 -- JAMICON
C50							
C41	12R105-51	2	1 uF 50V [20% TOL] EL NP			USP1H010MCA1TE -- AVNET CORP	NKP010M1HC07 -- JAMICON
C49							
C5	12R106-35	4	10 uF 35V [20% TOL] EL	10		106RSS035MSI -- ILLINOIS CAPACITOR	USA1V100MCA1TE -- AVNET CORP

ASSEMBLY PART # 07-848-01

REVISION: B

ITEM	P/N	TOTAL USED	DESC	VALUE	LABEL	MFG P/N 1	MFG P/N 2
C18							
C19							
C22							
C16	12R106-36	1	10 uF 35V [20% TOL] EL NP			1NS1VAB106MAP6L -- SAMWHA	USP1V100MCA1TE -- AVNET CORP
C33	12R107-32	3	100 uF 35V [20% TOL] EL	100		1SG1VAB107MAR08 -- SAMHWA	SKP101M1VE11 -- JAMICON
C34							
C60							
C4	12R225-50	2	2.2 uF 50V [20% TOL] EL	2.2		USA1H2R2MCA1T -- AVNET	SSP2R2M1HC07 -- JAMICON
C31							
C40	12R225-51	1	2.2 uF 50V [20% TOL] EL NP			USP1H2R2MCA1TE -- AVNET	225PBM050MSI -- ILLINOIS CAPACITOR
C47	12R476-35	2	47 uF 35V [20% TOL] EL	47		SKP470M1VD11 -- JAMICON	UVS1V470MNA1TA -- NICHICON
C51							
J21	17-105-03	1	.1 ST POL LOCK MLSS100-3 HEADER	0		MLSS100-3-D -- PANCON	0
J5	17-310-02	1	.156 ST POL MFSS156-2-D HEADER			0	
J15	17-836-01	2	.250 PC TAB STBL LOC 6021-6			6021-6 -- ZIERICK MFG	
J16							
J6	17-894-01	8	.187 PC TAB STBL LOC 6024-6			6024-6 -- ZIERICK MFG	
J7							
J8							
J9							
J10							
J11							
J12							
J13							
D24	21-224-01	1	RED LED RIGHT ANGLE	RED		SSF-LXH100ID-01 -- LUMEX	
D4	21-227-01	1	GREEN LED RIGHT ANGLE	GRN		SSF-LHX100GD-01 -- LUMEX	
D14	21-541-01	4	1N5401 DIODE/MOTOROLA 3 AMP	1N5401		1N5401 -- ON SEMI	
D15							
D16							
D17							
D5	21A146-01	2	3.3V .4W ZENER 28 OHM Zz	1N746ARL		1N4746ATR -- FAIRCHILD	
D20							
D10	21A402-01	4	100V PIV 1A .5W	1N4002TR		1N4002TR -- AVX	
D11							
D12							
D13							
D18	21A444-01	2	15V 1W ZENER 14 OHM Zz	1N4744ARL		1N4744A-TR -- ADVENT	
D19							
D1	21A914-01	10	75V PIV 10mA/1V .5W	1N914		1N4148TR -- MARSHALL	
D2							
D3							
D6							
D7							
D8							
D9							
D21							
D22							
D23							
F1_	23-312-01	1	2 AMP SB 250V 3AG FUSE/GLASS CART.	2 A SB		M313.002 -- LITTELFUSE	
FC1	23-926-02	2	Universal Fuse Clip	FUSE CLIP		OG 0751.0099 -- SCHURTER	POP AD43H -- ENGINEERED FASTENERS

ASSEMBLY PART # 07-848-01

REVISION: B

ITEM	P/N	TOTAL USED	DESC	VALUE	LABEL	MFG P/N 1	MFG P/N 2
FC2							
SCREW1	30-408-52	2	4-40 X 1/2 PPHEAD M/S	440		60240 -- MARCO SCREW CO	0
SCREW2							
NUT1	30-442-52	2	4-40 A.F. HEXKEPS ASSY ZINC			30-442-52 -- PYRAMID SCREW PRODUCTS	
NUT4							
SCREW3	30-638-53	2	6-32X3/8 PPH MS SEMS	11841		30-638-53 -- PYRAMID SCREW PRODUCTS	
SCREW4							
NUT2	30-700-01	2	6-32 HEX KEPNUT ASSY			30-700-01 -- PYRAMID SCREW PRODUCTS	
NUT3							
HS1	33-133-51	1	BX-25 HEATSINK BRAKT	0		2966 -- C R METAL PRODUCTS	
INS1	35-043-01	2	NYLON BUSHING NATURAL			MNI4-3 -- RICHCO	
INS2							
INS3	35-575-01	2	BERQUIST K10-58 INS			K10-58 -- BERQUIST	
INS4							
U1	37-072-01	6	TLO-72CP DUAL OP-AMP	TLO-72		NJM072B -- NJR	TLO-72CP -- SGS THOMPSON
U4							
U5							
U6							
U7							
U8							
U2	37-250-01	2	TDA-2050H 30W IC	TDA2050		TDA-2050H -- STMicroelectronics	0
U3							
U12	37-413-01	1	CD4013 DUAL FLIP-FLOP CMOS 'D' TYPE	CD4013B		CD4013BN -- NATIONAL SEMI	
J1	39-116-01	2	T/S JACK HORIZ	T/S		LJB0661H-02-4SS -- LIH SHENG PRECISION	S2-BNB-BLK/PC/A CL1174T -- CLIFF
J3							
J2	39-117-01	2	TRS JACK HORIZ	TRS		LJB0661H-02-6 -- LIH SHENG PRECISION	S2-BBB-BLK/PC/A CL1232T -- CLIFF
J4							
J18	39-121-05	1	DUAL RCA HORIZ MOUNT	DUAL RCA		ARL-1416-2 -- A/D ELECTRONICS	0
OC4	66-100-01	1	VTL-5C7 VACTROL	VTL-5C7		VTL5C7 -- PERKIN-ELMER	
P4	70-103-77	1	10K LINEAR [20%@50%] HORZ MNT 14MM	10KL	LEVEL	RV120D-20B1-15F-B10K-1 -- ALPHA	
P12	70-254-77	1	250K LINEAR [20%@50%] HORZ MNT 14MM	250KL	GAIN	RV120D-20B1-15F-B250K-105 -- ALPHA	
P1	70-503-77	8	50K LINEAR [20%@50%] HORZ MNT 14MM	50KL	SHAPE	RV120D-20B1-15F-B50K-1 -- ALPHA	
P2					LOW		
P3					LO MID		
P5					HI MID		
P6					HIGH		
P9					MASTER LEVEL		
P10					OCTAVE		
P11					LEVEL		
JW1	76-000-05	48	22 GA TINNED COPPER	0	0	22TC122 UNINSUL -- ADVENT	
JW2							
JW3							
JW4							
JW5							
JW6							
JW7							
JW8							
JW9							
JW10							
JW11							

ASSEMBLY PART # 07-848-01

REVISION: B

ITEM	P/N	TOTAL USED	DESC	VALUE	LABEL	MFG P/N 1	MFG P/N 2
JW12							
JW13							
JW14							
JW15							
JW16							
JW17							
JW18							
JW19							
JW20							
JW21							
JW23							
JW24							
JW25							
JW26							
JW28							
JW29							
JW30							
JW32							
JW35							
JW37							
JW38							
JW39							
JW40							
JW41							
JW42							
JW43							
JW44							
JW45							
JW48							
JW49							
JW50							
JW52							
JW54							
JW55							
JW57							
JW58							
JW61							
R25	76-047-01	2	4.7 OHM .25W 5% RESISTOR	4.7		4.7-QTR-ND -- YAGEO/DIGIKEY	4.7-R86-0040 -- SEI
R30							
R32	76-101-01	1	100 OHM .25W 5% RESISTOR	100		100-QTR-ND -- YAGEO/DIGIKEY	100-R86-0040 -- SEI
R4	76-102-01	6	1K OHM .25W 5% RESISTOR	1K		1K-QTR-ND -- YAGEO/DIGIKEY	1K-R86-0040 -- SEI
R5							
R18							
R19							
R34							
R87							
R14	76-103-01	6	10K OHM .25W 5% RESISTOR	10K		10K-QTR-ND -- YAGEO/DIGIKEY	10K-R86-0040 -- SEI
R15							
R36							
R55							

ASSEMBLY PART # 07-848-01

REVISION: B

ITEM	P/N	TOTAL USED	DESC	VALUE	LABEL	MFG P/N 1	MFG P/N 2
R56							
R58							
R52	76-104-01	5	100K OHM .25W 5% RESISTOR	100K		100K-QTR-ND -- YAGEO/DIGIKEY	100K-R86-0040 -- SEI
R54							
R61							
R62							
R64							
R23	76-105-01	6	1M OHM .25W 5% RESISTOR	1M		1M-QTR-ND -- YAGEO/DIGIKEY	1M-R86-0040 -- SEI
R35							
R69							
R79							
R80							
R81							
R74	76-152-01	1	1.5K OHM .25W 5% RESISTOR	1.5K		1.5K-QTR-ND -- YAGEO/DIGIKEY	1.5K-R86-0040 -- SEI
R3	76-153-01	2	15K OHM .25W 5% RESISTOR	15K		15K-QTR-ND -- YAGEO/DIGIKEY	15K-R86-0040 -- SEI
R20							
R50	76-154-01	1	150K OHM .25W 5% RESISTOR	150K		150K-QTR-ND -- YAGEO/DIGIKEY	150K-R86-0040 -- SEI
R53	76-221-01	2	220 OHM .25W 5% RESISTOR	220		220-QTR-ND -- YAGEO/DIGIKEY	220-R86-0040 -- SEI
R86							
R51	76-222-01	4	2.2K OHM .25W 5% RESISTOR	2.2K		2.2K-QTR-ND -- YAGEO/DIGIKEY	2.2K-R86-0040 -- SEI
R63							
R70							
R73							
R1	76-223-01	13	22K OHM .25W 5% RESISTOR	22K		22K-QTR-ND -- YAGEO/DIGIKEY	22K-R86-0040 -- SEI
R6							
R7							
R9							
R11							
R17							
R21							
R26							
R27							
R28							
R57							
R59							
R60							
R2	76-224-01	2	220K OHM .25W 5% RESISTOR	220K		220K-QTR-ND -- YAGEO/DIGIKEY	220K-R86-0040 -- SEI
R49							
R84	76-333-01	1	33K OHM .25W 5% RESISTOR	33K		33K-QTR-ND -- YAGEO/DIGIKEY	33K-R86-0040 -- SEI
R45	76-470-01	4	47 OHM .25W 5% RESISTOR	47		47-QTR-ND -- YAGEO/DIGIKEY	47-R86-0040 -- SEI
R46							
R82							
R85							
R37	76-471-01	4	470 OHM .25W 5% RESISTOR	470		470-QTR-ND -- YAGEO/DIGIKEY	470-R86-0040 -- SEI
R38							
R72							
R75							
R40	76-472-01	5	4.7K OHM .25W 5% RESISTOR	4.7K		4.7K-QTR-ND -- YAGEO/DIGIKEY	4.7K-R86-0040 -- SEI
R41							
R44							

ASSEMBLY PART # 07-848-01

REVISION: B

ITEM	P/N	TOTAL USED	DESC	VALUE	LABEL	MFG P/N 1	MFG P/N 2
R67							
R68							
R8	76-473-01	13	47K OHM .25W 5% RESISTOR	47K		47K-QTR-ND -- YAGEO/DIGIKEY	47K-R86-0040 -- SEI
R10							
R12							
R16							
R22							
R47							
R48							
R65							
R66							
R71							
R76							
R77							
R83							
R78	76-474-01	1	470K OHM .25W 5% RESISTOR	470K		470K-QTR-ND -- YAGEO/DIGIKEY	470K-R86-0040 -- SEI
R24	76-681-01	2	680 OHM .25W 5% RESISTOR	680		680-QTR-ND -- YAGEO/DIGIKEY	680-R86-0040 -- SEI
R29							
R31	77-102-03	1	1K OHM .5W 5% FLAME-PROOF	1K		1K-R86-7563 -- SEI	0
R33	77-152-01	1	1.5K OHM .5W 5% RESISTOR	1.5K		1.5K-R86-0080 -- SEI	
R42	77-221-01	2	220 OHM .5W 5% RESISTOR	220		220-R86-0080 -- SEI	
R43							
R39	78A152-01	1	1.5K 1W 5% T&R	1.5K		1.5K-R86-3163 -- SEI	
SW1	88-302-02	1	MINI PCB DPDT W/1C911 BLACK (RECT)	DPDT DUAL		MTH-2UEENGAX/1C911 -- E-SWITCH	
Q11	96R013-01	3	MPSA13 NPN 30V 1.5W .5A DARLINGTON	MPS-A13	0	MPS-A13 D75Z -- FAIRCHILD	MPS-A13 D27Z -- FAIRCHILD
Q12							
Q14							
Q1	96R175-01	7	J175 P-CH 30Vds 3Vgs(off) 125 OHM RdsON	J175		PN175A -- PHILLIPS	0
Q4							
Q5							
Q7							
Q8							
Q9							
Q10							
Q6	96R510-01	1	2N5210 NPN 50V 1.5W 50mA	2N5210		2N5210-D272D -- FAIRCHILD	2N5210-D75Z -- FAIRCHILD
Q2	96R588-01	3	2N5088 NPN 30V 1.5W 50mA	2N5088		2N5088 RLRA -- FAIRCHILD	2N5088 RLRA -- NATIONAL
Q3							
Q13							
RC1	99-124-02	1	.1 PITCH 12 PIN 3IN FLAT CABLE	FLAT CABLE		1-86943-1 -- AMP	28100-0661 -- MOLEX
RC2	99-195-18	1	.1 PITCH 8 PIN 250MM RIBBON CABLE [9.75IN]			28100-0610 -- MOLEX	0

ASSEMBLY PART # 07-848-02

REVISION: B

ITEM	P/N	TOTAL USED	DESC	VALUE	LABEL	MFG P/N 1	MFG P/N 2
PWB1	06A848-01	1	PWB BASS AMP				
C35	10-332-01	1	.0033 uF [20% TOL] UL/VDE DISK	0.0033		DE2E3KH332MA3B -- MURATA	
C17	10A101-21	1	100 pF 200V [10% TOL] NPO	100 pF		SA102A101JAA -- AVX	C410C101J2G5CA -- KEMET
C11	10A103-11	1	.01 uF 100V [10% TOL] X7R	0.01		SA201C103KAA -- AVX	C420C103K1R5CA -- KEMET
C8	10A104-01	11	.1 uF 50V [10% TOL] X7R	0.1		SA305C104KAA -- AVX	C430C104K5R5CA -- KEMET
C12							
C24							
C25							
C36							
C44							
C55							
C56							
C57							
C58							
C59							
C42	10A153-01	3	.015 uF 50V [10% TOL] X7R	0.015		SA105C153KAA -- AVX	C410C153K5R5CA -- KEMET
C43							
C45							
C3	10A221-11	2	220 pF 100V [10% TOL] NPO	220 pF		SA101A221JAA -- AVX	C410C221J1G5CA -- KEMET
C20							
C13	10A222-11	1	.0022uF 100V [10% TOL] NPO	0.0022		SA101C222KAA -- AVX	C410C222K1G5CA -- KEMET
C15	10A223-01	1	.022 uF 50V [10% TOL] X7R	0.022		SA105C223KAA -- AVX	C410C223K5R5CA -- KEMET
C37	10A224-01	5	.22 uF 50V [10% TOL] X7R	0.22		SA305C224KAA -- AVX	C430C224K5R5CA -- KEMET
C46							
C52							
C53							
C54							
C6	10A332-01	2	.0033 uF 100V [10% TOL] X7R	0.0033		SA101C332KAA -- AVX	C410C332K1R5CA -- KEMET
C48							
C38	10A471-21	1	470 pF 200V [10% TOL] NPO	470 pF		MA302A471KAATR -- AVX	C124C471K2G5CA -- KEMET
C7	10A472-11	1	.0047 uF 100V [10% TOL] X7R	0.0047		SA101C472KAA -- AVX	C410C472K1R5CA -- KEMET
C1	10A473-11	1	.047 uF 100V [10% TOL] X7R	0.047		SA301C473KAA -- AVX	C430C473K1R5CA -- KEMET
C2	10A560-21	4	56 pF 200V [5% TOL] NPO	56 pF		SA102A560JAA -- AVX	C410C560J2G5CA -- KEMET
C9							
C14							
C39							
C21	10F224-03	1	.22 uF 100V [10% TOL] RADIAL POLY FORMED	0.22		PEI224KA-SLM -- MERITEK	5TY2ARB224KJC -- SAMHWA
C27	10R104-03	2	.1 uF 100V [10% TOL] RADIAL POLY	0.1		DLR1P1KR -- CORNELL DUBILIER	5TY2ARB104KAN -- SAMHWA
C28							
C26	12-478-25	2	4700 uF 25V 20% EL	4700		1SD1EWB478MSS16031 -- SAMHWA	478CKR025M -- ILLINOIS CAPACITOR
C32							
C10	12R105-50	2	1 uF 50V [20% TOL] EL	1		USA1H010MDA1TE -- AVNET CORP	SSP010M1HC7 -- JAMICON
C50							
C41	12R105-51	2	1 uF 50V [20% TOL] EL NP			USP1H010MCA1TE -- AVNET CORP	NKP010M1HC07 -- JAMICON
C49							
C5	12R106-35	3	10 uF 35V [20% TOL] EL	10		106RSS035MSI -- ILLINOIS CAPACITOR	USA1V100MCA1TE -- AVNET CORP
C18							
C19							
C16	12R106-36	1	10 uF 35V [20% TOL] EL NP			1NS1VAB106MAP6L -- SAMHWA	USP1V100MCA1TE -- AVNET CORP

ASSEMBLY PART # 07-848-02

REVISION: B

ITEM	P/N	TOTAL USED	DESC	VALUE	LABEL	MFG P/N 1	MFG P/N 2
C33	12R107-32	3	100 uF 35V [20% TOL] EL	100		1SG1VAB107MAR08 -- SAMHWA	SKP101M1VE11 -- JAMICON
C34							
C60							
C4	12R225-50	2	2.2 uF 50V [20% TOL] EL	2.2		USA1H2R2MCA1T -- AVNET	SSP2R2M1HC07 -- JAMICON
C31							
C40	12R225-51	1	2.2 uF 50V [20% TOL] EL NP			USP1H2R2MCA1TE -- AVNET	225PBM050MSI -- ILLINOIS CAPACITOR
C47	12R476-35	2	47 uF 35V [20% TOL] EL	47		SKP470M1VD11 -- JAMICON	UVS1V470MNA1TA -- NICHICON
C51							
J21	17-105-03	1	.1 ST POL LOCK MLSS100-3 HEADER	0		MLSS100-3-D -- PANCON	0
J5	17-310-02	1	.156 ST POL MFSS156-2-D HEADER			0	
J15	17-836-01	2	.250 PC TAB STBL LOC 6021-6			6021-6 -- ZIERICK MFG	
J16							
J6	17-894-01	8	.187 PC TAB STBL LOC 6024-6			6024-6 -- ZIERICK MFG	
J7							
J8							
J9							
J10							
J11							
J12							
J13							
D24	21-224-01	1	RED LED RIGHT ANGLE	RED		SSF-LXH100ID-01 -- LUMEX	
D4	21-227-01	1	GREEN LED RIGHT ANGLE	GRN		SSF-LHX100GD-01 -- LUMEX	
D14	21-541-01	4	1N5401 DIODE/MOTOROLA 3 AMP	1N5401		1N5401 -- ON SEMI	
D15							
D16							
D17							
D5	21A146-01	2	3.3V .4W ZENER 28 OHM Zz	1N746ARL		1N4746ATR -- FAIRCHILD	
D20							
D12	21A402-01	2	100V PIV 1A .5W	1N4002TR		1N4002TR -- AVX	
D13							
D18	21A444-01	2	15V 1W ZENER 14 OHM Zz	1N4744ARL		1N4744A-TR -- ADVENT	
D19							
D1	21A914-01	10	75V PIV 10mA/1V .5W	1N914		1N4148TR -- MARSHALL	
D2							
D3							
D6							
D7							
D8							
D9							
D21							
D22							
D23							
F1	23-301-05	1	1AMP SB 250V FUSE	1 A SB		M313.001 -- LITTELFUSE	MDL-1 -- BUSSMAN
FC1	23-926-02	2	Universal Fuse Clip	FUSE CLIP		OG 0751.0099 -- SCHURTER	POP AD43H -- ENGINEERED FASTENERS
FC2							
SCREW2	30-408-52	1	4-40 X 1/2 PPHEAD M/S	440		60240 -- MARCO SCREW CO	0
NUT1	30-442-52	1	4-40 A.F. HEXKEPS ASSY ZINC			30-442-52 -- PYRAMID SCREW PRODUCTS	
SCREW3	30-638-53	2	6-32X3/8 PPH MS SEMS	11841		30-638-53 -- PYRAMID SCREW PRODUCTS	
SCREW4							
NUT2	30-700-01	2	6-32 HEX KEPNUT ASSY			30-700-01 -- PYRAMID SCREW PRODUCTS	

ASSEMBLY PART # 07-848-02

REVISION: B

ITEM	P/N	TOTAL USED	DESC	VALUE	LABEL	MFG P/N 1	MFG P/N 2
NUT3							
HS1	33-133-51	1	BX-25 HEATSINK BRAKT	0		2966 -- C R METAL PRODUCTS	
INS2	35-043-01	1	NYLON BUSHING NATURAL			MNI4-3 -- RICHCO	
INS4	35-575-01	1	BERQUIST K10-58 INS			K10-58 -- BERQUIST	
U1	37-072-01	6	TLO-72CP DUAL OP-AMP	TLO-72		NJM072B -- NJR	TLO-72CP -- SGS THOMPSON
U4							
U5							
U6							
U7							
U8							
U2	37-250-01	1	TDA-2050H 30W IC	TDA2050		TDA-2050H -- STMicroelectronics	0
U12	37-413-01	1	CD4013 DUAL FLIP-FLOP CMOS 'D' TYPE	CD4013B		CD4013BN -- NATIONAL SEMI	
J1	39-116-01	2	T/S JACK HORIZ	T/S		LJB0661H-02-4SS -- LIH SHENG PRECISION	S2-BNB-BLK/PC/A CL1174T -- CLIFF
J3							
J2	39-117-01	2	TRS JACK HORIZ	TRS		LJB0661H-02-6 -- LIH SHENG PRECISION	S2-BBB-BLK/PC/A CL1232T -- CLIFF
J4							
J18	39-121-05	1	DUAL RCA HORIZ MOUNT	DUAL RCA		ARL-1416-2 -- A/D ELECTRONICS	0
OC4	66-100-01	1	VTL-5C7 VACTROL	VTL-5C7	0	VTL5C7 -- %KIN-ELMER	
P4	70-103-77	1	10K LINEAR [20%@50%] HORIZ MNT 14MM	10KL	LEVEL	RV120D-20B1-15F-B10K-1 -- ALPHA	
P12	70-254-77	1	250K LINEAR [20%@50%] HORIZ MNT 14MM	250KL	GAIN	RV120D-20B1-15F-B250K-105 -- ALPHA	
P1	70-503-77	8	50K LINEAR [20%@50%] HORIZ MNT 14MM	50KL	SHAPE	RV120D-20B1-15F-B50K-1 -- ALPHA	
P2					LOW		
P3					LO MID		
P5					HI MID		
P6					HIGH		
P9					MASTER LEVEL		
P10					OCTAVE		
P11					LEVEL		
JW1	76-000-05	49	22 GA TINNED COP%	0	0	22TC122 UNINSUL -- ADVENT	
JW2							
JW3							
JW4							
JW5							
JW6							
JW7							
JW8							
JW9							
JW10							
JW11							
JW12							
JW13							
JW14							
JW15							
JW16							
JW17							
JW18							
JW19							
JW20							
JW21							
JW23							

ITEM	P/N	TOTAL USED	DESC	VALUE	LABEL	MFG P/N 1	MFG P/N 2
JW24							
JW25							
JW26							
JW28							
JW29							
JW30							
JW32							
JW35							
JW37							
JW38							
JW39							
JW40							
JW41							
JW42							
JW43							
JW44							
JW45							
JW48							
JW49							
JW50							
JW52							
JW54							
JW55							
JW57							
JW58							
JW61							
JWOPT1							
R25	76-047-01	1	4.7 OHM .25W 5% RESISTOR	4.7		4.7-QTR-ND -- YAGEO/DIGIKEY	4.7-R86-0040 -- SEI
R32	76-101-01	1	100 OHM .25W 5% RESISTOR	100		100-QTR-ND -- YAGEO/DIGIKEY	100-R86-0040 -- SEI
R4	76-102-01	6	1K OHM .25W 5% RESISTOR	1K		1K-QTR-ND -- YAGEO/DIGIKEY	1K-R86-0040 -- SEI
R5							
R18							
R19							
R34							
R87							
R14	76-103-01	6	10K OHM .25W 5% RESISTOR	10K		10K-QTR-ND -- YAGEO/DIGIKEY	10K-R86-0040 -- SEI
R15							
R36							
R55							
R56							
R58							
R52	76-104-01	5	100K OHM .25W 5% RESISTOR	100K		100K-QTR-ND -- YAGEO/DIGIKEY	100K-R86-0040 -- SEI
R54							
R61							
R62							
R64							
R23	76-105-01	6	1M OHM .25W 5% RESISTOR	1M		1M-QTR-ND -- YAGEO/DIGIKEY	1M-R86-0040 -- SEI
R35							
R69							
R79							

ASSEMBLY PART # 07-848-02

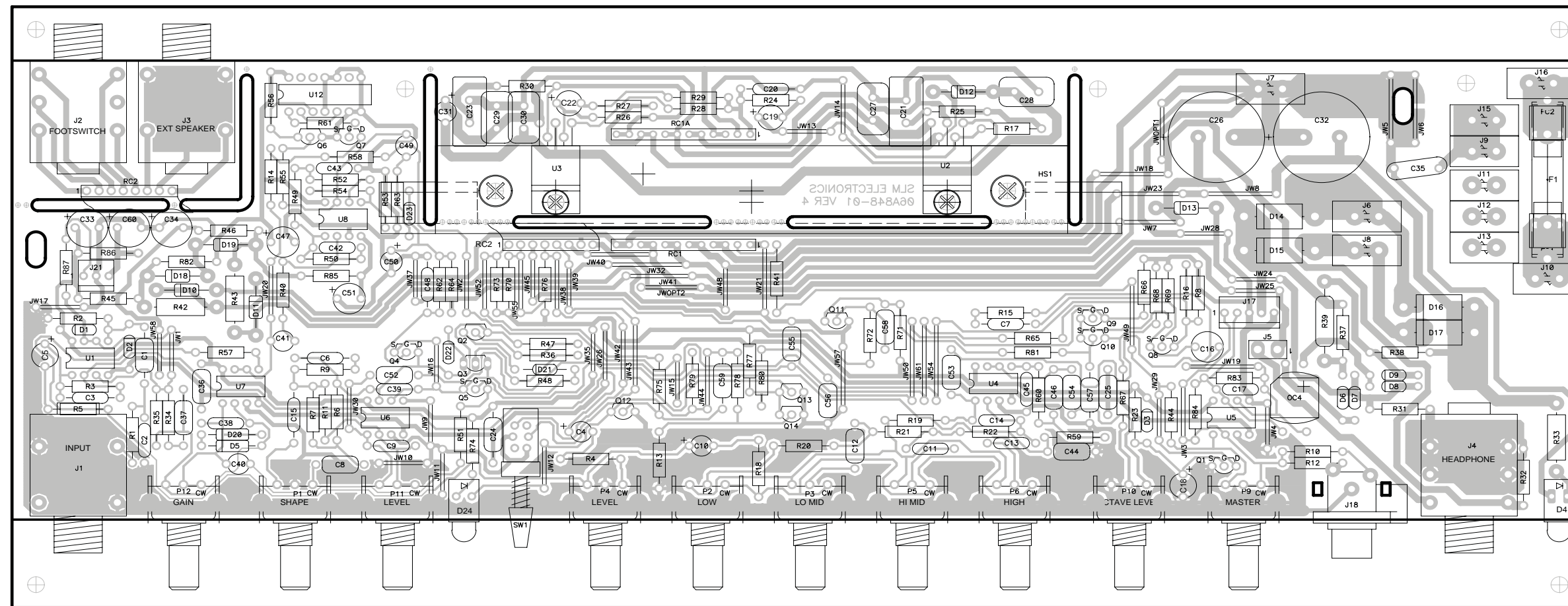
REVISION: B

ITEM	P/N	TOTAL USED	DESC	VALUE	LABEL	MFG P/N 1	MFG P/N 2
R80							
R81							
R74	76-152-01	1	1.5K OHM .25W 5% RESISTOR	1.5K		1.5K-QTR-ND -- YAGEO/DIGIKEY	1.5K-R86-0040 -- SEI
R3	76-153-01	2	15K OHM .25W 5% RESISTOR	15K		15K-QTR-ND -- YAGEO/DIGIKEY	15K-R86-0040 -- SEI
R20							
R50	76-154-01	1	150K OHM .25W 5% RESISTOR	150K		150K-QTR-ND -- YAGEO/DIGIKEY	150K-R86-0040 -- SEI
R53	76-221-01	2	220 OHM .25W 5% RESISTOR	220		220-QTR-ND -- YAGEO/DIGIKEY	220-R86-0040 -- SEI
R86							
R51	76-222-01	4	2.2K OHM .25W 5% RESISTOR	2.2K		2.2K-QTR-ND -- YAGEO/DIGIKEY	2.2K-R86-0040 -- SEI
R63							
R70							
R73							
R1	76-223-01	10	22K OHM .25W 5% RESISTOR	22K		22K-QTR-ND -- YAGEO/DIGIKEY	22K-R86-0040 -- SEI
R6							
R7							
R9							
R11							
R17							
R21							
R57							
R59							
R60							
R2	76-224-01	2	220K OHM .25W 5% RESISTOR	220K		220K-QTR-ND -- YAGEO/DIGIKEY	220K-R86-0040 -- SEI
R49							
R84	76-333-01	1	33K OHM .25W 5% RESISTOR	33K		33K-QTR-ND -- YAGEO/DIGIKEY	33K-R86-0040 -- SEI
R45	76-470-01	4	47 OHM .25W 5% RESISTOR	47		47-QTR-ND -- YAGEO/DIGIKEY	47-R86-0040 -- SEI
R46							
R82							
R85							
R37	76-471-01	4	470 OHM .25W 5% RESISTOR	470		470-QTR-ND -- YAGEO/DIGIKEY	470-R86-0040 -- SEI
R38							
R72							
R75							
R40	76-472-01	5	4.7K OHM .25W 5% RESISTOR	4.7K		4.7K-QTR-ND -- YAGEO/DIGIKEY	4.7K-R86-0040 -- SEI
R41							
R44							
R67							
R68							
R8	76-473-01	13	47K OHM .25W 5% RESISTOR	47K		47K-QTR-ND -- YAGEO/DIGIKEY	47K-R86-0040 -- SEI
R10							
R12							
R16							
R22							
R47							
R48							
R65							
R66							
R71							
R76							
R77							

ASSEMBLY PART # 07-848-02

REVISION: B


ITEM	P/N	TOTAL USED	DESC	VALUE	LABEL	MFG P/N 1	MFG P/N 2
R83							
R78	76-474-01	1	470K OHM .25W 5% RESISTOR	470K		470K-QTR-ND -- YAGEO/DIGIKEY	470K-R86-0040 -- SEI
R24	76-681-01	1	680 OHM .25W 5% RESISTOR	680		680-QTR-ND -- YAGEO/DIGIKEY	680-R86-0040 -- SEI
R31	77-102-03	1	1K OHM .5W 5% FLAME-PROOF	1K		1K-R86-7563 -- SEI	0
R33	77-152-01	1	1.5K OHM .5W 5% RESISTOR	1.5K		1.5K-R86-0080 -- SEI	
R42	77-221-01	2	220 OHM .5W 5% RESISTOR	220		220-R86-0080 -- SEI	
R43							
R39	78A152-01	1	1.5K 1W 5% T&R	1.5K		1.5K-R86-3163 -- SEI	
SW1	88-302-02	1	MINI PCB DPDT W/1C911 BLACK (RECT)	DPDT DUAL		MTH-2UEENGAX/1C911 -- E-SWITCH	
Q11	96R013-01	3	MPSA13 NPN 30V 1.5W .5A DARLINGTON	MPS-A13		MPS-A13 D75Z -- FAIRCHILD	MPS-A13 D27Z -- FAIRCHILD
Q12							
Q14							
Q1	96R175-01	7	J175 P-CH 30Vds 3Vgs(off) 125 OHM RdsON	J175		PN175A -- PHILLIPS	0
Q4							
Q5							
Q7							
Q8							
Q9							
Q10							
Q6	96R510-01	1	2N5210 NPN 50V 1.5W 50mA	2N5210		2N5210-D272D -- FAIRCHILD	2N5210-D75Z -- FAIRCHILD
Q2	96R588-01	3	2N5088 NPN 30V 1.5W 50mA	2N5088		2N5088 RLRA -- FAIRCHILD	2N5088 RLRA -- NATIONAL
Q3							
Q13							
RC1	99-124-02	1	.1 PITCH 12 PIN 3IN FLAT CABLE	FLAT CABLE		1-86943-1 -- AMP	28100-0661 -- MOLEX
RC2	99-195-18	1	.1 PITCH 8 PIN 250MM RIBBON CABLE [9.75IN]			28100-0610 -- MOLEX	0

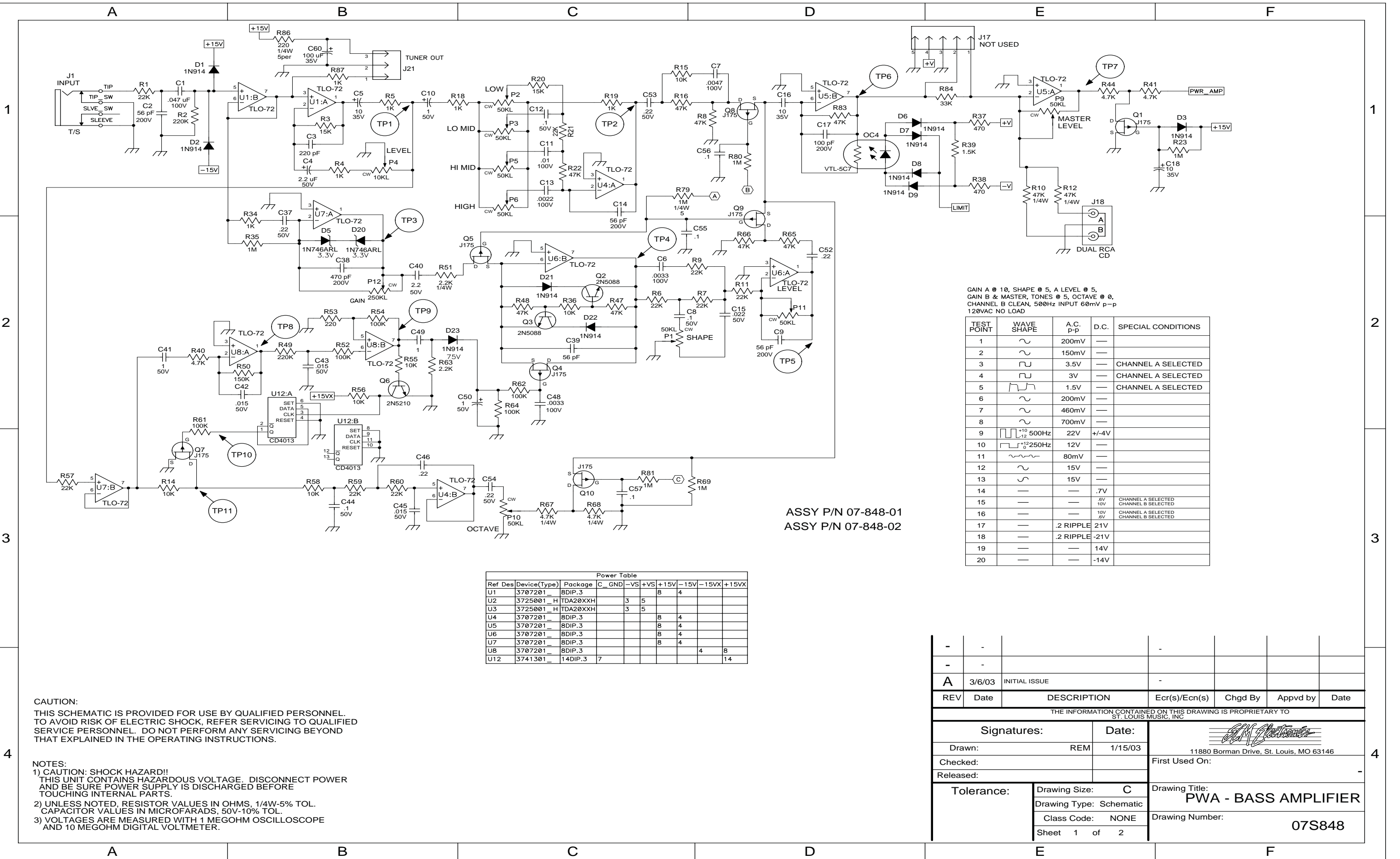


ASSY PART # 07-848-01 50 WATT
 ASSY PART # 07-848-02 25 WATT

NOTES:
 1. GOOP IN ACCORDANCE WITH PRODUCTION S.O.P.

CAUTION:
 THIS ASSEMBLY DRAWING IS PROVIDED FOR USE BY QUALIFIED PERSONNEL.
 TO AVOID RISK OF ELECTRIC SHOCK, REFER SERVICING TO QUALIFIED SERVICE PERSONNEL.
 DO NOT PERFORM ANY SERVICING BEYOND THAT EXPLAINED IN THE OPERATING INSTRUCTIONS.

REV	Date	DESCRIPTION	Ecr(s)/Ecrn(s)	Chgd By	Appvd by	Date	
A	5/31/03	INITIAL ISSUE					
THE INFORMATION CONTAINED ON THIS DRAWING IS PROPRIETARY TO ST. LOUIS MUSIC, INC.							
Signatures:		Date:	 1180 Borman Drive, St. Louis, MO 63146				
Drawn:	REM	1/03/03					
Checked:	-	-					First Used On:
Released:							
Plot Date:	Wed Jul 09, 2003	Plot Time:	08:35:05	Drawing Size:	B	Drawing Title:	PWA-BASS AMPLIFIER
Tolerance:		Class Code:	NONE	Drawing Number:			07-848
		Sheet	1 of 1				



GAIN A @ 10, SHAPE @ 5, A LEVEL @ 5.
 GAIN B & MASTER, TONES @ 5, OCTAVE @ 0,
 CHANNEL B CLEAN, 500Hz INPUT 60mV p-p
 120VAC NO LOAD

TEST POINT	WAVE SHAPE	A.C. p-p	D.C.	SPECIAL CONDITIONS
1	~	200mV	—	
2	~	150mV	—	
3	~	3.5V	—	CHANNEL A SELECTED
4	~	3V	—	CHANNEL A SELECTED
5	~	1.5V	—	CHANNEL A SELECTED
6	~	200mV	—	
7	~	460mV	—	
8	~	700mV	—	
9	~ ⁺¹⁰ ₋₁₂ 500Hz	22V	+/-4V	
10	~ ⁺² ₀ 250Hz	12V	—	
11	~	80mV	—	
12	~	15V	—	
13	~	15V	—	
14	—	—	.7V	
15	—	—	.8V 10V	CHANNEL A SELECTED CHANNEL B SELECTED
16	—	—	10V .6V	CHANNEL A SELECTED CHANNEL B SELECTED
17	—	.2 RIPPLE	21V	
18	—	.2 RIPPLE	-21V	
19	—	—	14V	
20	—	—	-14V	

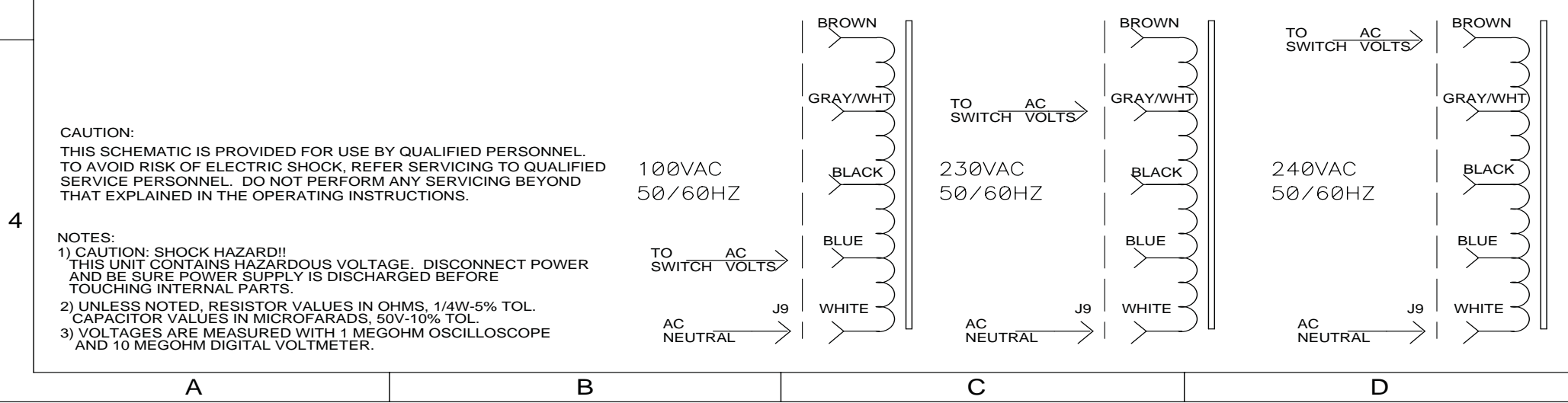
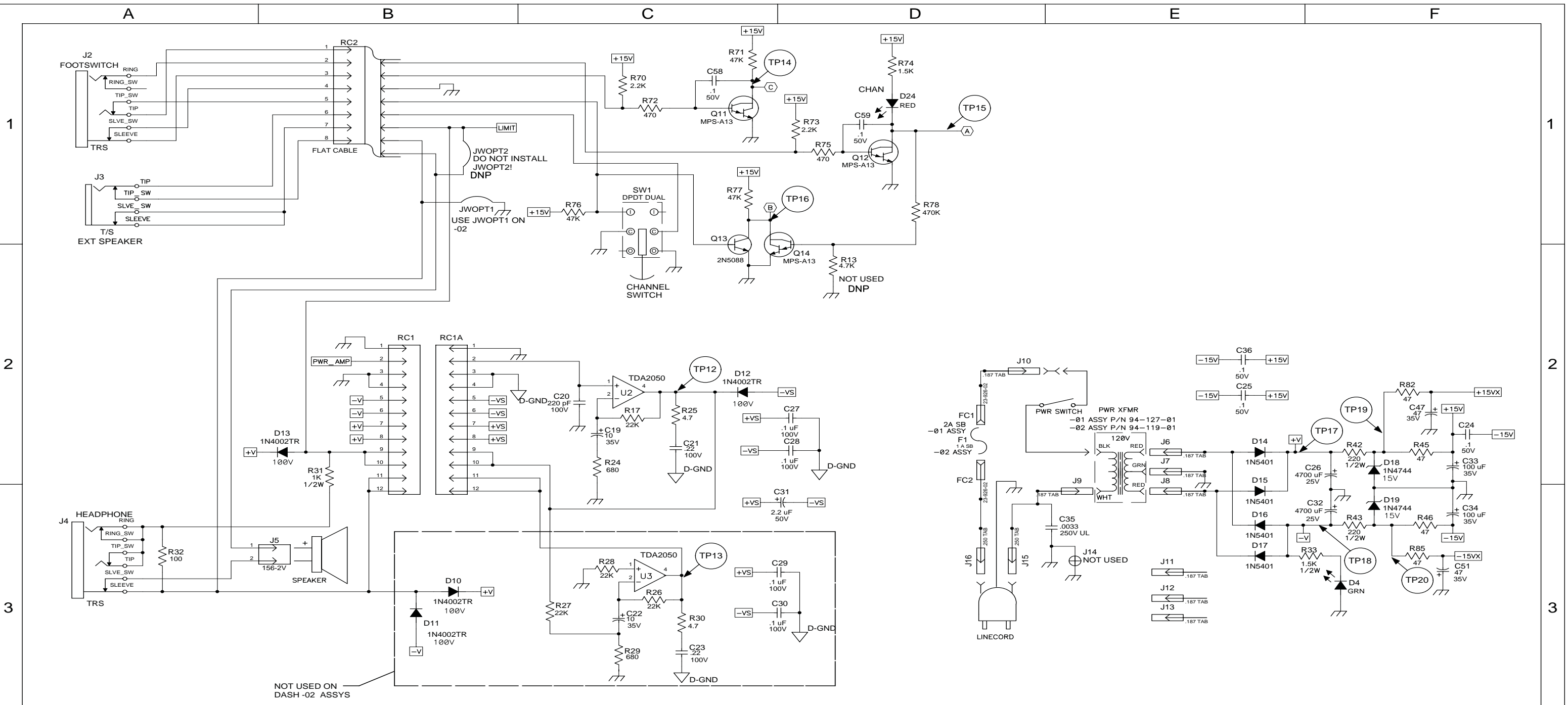
ASSY P/N 07-848-01
 ASSY P/N 07-848-02

Ref Des	Device(Type)	Package	C	GND	-VS	+VS	+15V	-15V	-15VX	+15VX
U1	3707201	8DIP.3				8	4			
U2	3725001_H	TDA20XXH	3	5						
U3	3725001_H	TDA20XXH	3	5						
U4	3707201	8DIP.3				8	4			
U5	3707201	8DIP.3				8	4			
U6	3707201	8DIP.3				8	4			
U7	3707201	8DIP.3				8	4			
U8	3707201	8DIP.3						4	8	
U12	3741301	14DIP.3	7							14

CAUTION:
 THIS SCHEMATIC IS PROVIDED FOR USE BY QUALIFIED PERSONNEL.
 TO AVOID RISK OF ELECTRIC SHOCK, REFER SERVICING TO QUALIFIED
 SERVICE PERSONNEL. DO NOT PERFORM ANY SERVICING BEYOND
 THAT EXPLAINED IN THE OPERATING INSTRUCTIONS.

- NOTES:
 1) CAUTION: SHOCK HAZARD!!
 THIS UNIT CONTAINS HAZARDOUS VOLTAGE. DISCONNECT POWER
 AND BE SURE POWER SUPPLY IS DISCHARGED BEFORE
 TOUCHING INTERNAL PARTS.
 2) UNLESS NOTED, RESISTOR VALUES IN OHMS, 1/4W-5% TOL.
 CAPACITOR VALUES IN MICROFARADS, 50V-10% TOL.
 3) VOLTAGES ARE MEASURED WITH 1 MEGOHM OSCILLOSCOPE
 AND 10 MEGOHM DIGITAL VOLTMETER.

-	-					
A	3/6/03	INITIAL ISSUE				
REV	Date	DESCRIPTION	Ecr(s)/Ecn(s)	Chgd By	Appvd by	Date
THE INFORMATION CONTAINED ON THIS DRAWING IS PROPRIETARY TO ST. LOUIS MUSIC, INC						
Signatures:			Date:		 11880 Borman Drive, St. Louis, MO 63146 First Used On:	
Drawn: REM		1/15/03				
Checked:						
Released:						
Tolerance:		Drawing Size: C		Drawing Title:		
		Drawing Type: Schematic		PWA - BASS AMPLIFIER		
		Class Code: NONE		Drawing Number:		
Sheet 1 of 2				07S848		



CAUTION:
THIS SCHEMATIC IS PROVIDED FOR USE BY QUALIFIED PERSONNEL. TO AVOID RISK OF ELECTRIC SHOCK, REFER SERVICING TO QUALIFIED SERVICE PERSONNEL. DO NOT PERFORM ANY SERVICING BEYOND THAT EXPLAINED IN THE OPERATING INSTRUCTIONS.

NOTES:
1) CAUTION: SHOCK HAZARD!! THIS UNIT CONTAINS HAZARDOUS VOLTAGE. DISCONNECT POWER AND BE SURE POWER SUPPLY IS DISCHARGED BEFORE TOUCHING INTERNAL PARTS.
2) UNLESS NOTED, RESISTOR VALUES IN OHMS, 1/4W-5% TOL. CAPACITOR VALUES IN MICROFARADS, 50V-10% TOL.
3) VOLTAGES ARE MEASURED WITH 1 MEGOHM OSCILLOSCOPE AND 10 MEGOHM DIGITAL VOLTMETER.

-	-	-	-	-	-	
-	-	-	-	-	-	
A	3/6/03	INITIAL ISSUE	-	-	-	
REV	Date	DESCRIPTION	Ecr(s)/Ecn(s)	Chgd By	Appvd by	Date
THE INFORMATION CONTAINED ON THIS DRAWING IS PROPRIETARY TO ST. LOUIS MUSIC, INC.						
Signatures:		Date:		 11880 Borman Drive, St. Louis, MO 63146		
Drawn: REM		1/15/03				
Checked:		Released:		First Used On:		
Plot Date: Wed Jul 09, 2003		Drawing Size: C		Drawing Title:		
Plot Time: 08:27:12		Drawing Type: Schematic		PWA - BASS AMPLIFIER		
Tolerance:		Class Code: NONE		Drawing Number:		
		Sheet 2 of 2		07S848		



BT25/BT50

BASS AMPLIFIER



USER'S GUIDE

Table Of Contents:

Introduction3

The Front Panel4,5

Some Suggested Settings6

System Block Diagram7

Technical Specificationsback cover

<div style="text-align: center; border: 1px solid black; padding: 2px;"> CAUTION <small>RISK OF ELECTRIC SHOCK DO NOT OPEN</small> </div> <p style="font-size: 8px; margin-top: 5px;">WARNING: TO REDUCE THE RISK OF FIRE OR ELECTRIC SHOCK, DO NOT EXPOSE THIS APPARATUS TO RAIN OR MOISTURE. TO REDUCE THE RISK OF ELECTRIC SHOCK, DO NOT REMOVE COVER. NO USER-SERVICEABLE PARTS INSIDE. REFER SERVICING TO QUALIFIED SERVICE PERSONNEL.</p>	<div style="text-align: center; border: 1px solid black; padding: 2px;"> PRECAUCION <small>RIESGO DE CORRIENTAZO NO ABRA</small> </div> <p style="font-size: 8px; margin-top: 5px;">PRECAUCION: PARA REDUCIR EL RIESGO DE INCENDIOS O DESCARGAS ELECTRICAS, NO PERMITA QUE ESTE APARATO QUEDE EXPUESTO A LA LLUVIA O LA HUMEDAD. PARA DISMINUIR EL RIESGO DE CORRIENTAZO, NO ABRA LA CUBIERTA. NO HAY PIEZAS ADENTRO QUE EL USUARIO PUEDE REPARAR. DEJE TODO MANTENIMIENTO A LOS TECNICOS CALIFICADOS.</p>	<div style="text-align: center; border: 1px solid black; padding: 2px;"> ATTENTION <small>RISQUE D'ELECTROCUTION NE PAS OUVRIR</small> </div> <p style="font-size: 8px; margin-top: 5px;">ATTENTION: PROTEGEZ CET APPAREIL DE LA PLUIE ET DE L'HUMIDITE AFIN D'EVITER TOUT RISQUE D'INCENDIE OU D'ELECTROCUTION. POUR REDUIRE D'ELECTROCUTION NE PAS ENLEVER LE COUVERCLE. AUCUNE PIECE INTERNE N'EST REPRABLE PAR L'UTILISATEUR. POUR TOUTE REPARATION, S'ADRESSEZ A UN TECHNICIEN QUALIFIE.</p>									
<p>IMPORTANT SAFETY INSTRUCTIONS</p> <ul style="list-style-type: none"> READ, FOLLOW, HEED, AND KEEP ALL INSTRUCTIONS AND WARNINGS. DO NOT OPERATE NEAR ANY HEAT SOURCE AND DO NOT BLOCK ANY VENTILATION OPENINGS ON THIS APPARATUS. FOR PROPER OPERATION, THIS UNIT REQUIRES 3" (75mm) OF WELL VENTILATED SPACE AROUND HEATSINKS AND OTHER AIR FLOW PROVISIONS IN THE CABINET. DO NOT USE THIS APPARATUS NEAR SPLASHING, FALLING, SPRAYING, OR STANDING LIQUIDS. CLEAN ONLY WITH LINT-FREE DAMP CLOTH AND DO NOT USE CLEANING AGENTS. ONLY CONNECT POWER CORD TO A POLARIZED, SAFETY GROUNDED OUTLET WIRED TO CURRENT ELECTRICAL CODES AND COMPATIBLE WITH VOLTAGE, POWER, AND FREQUENCY REQUIREMENTS STATED ON THE REAR PANEL OF THE APPARATUS. PROTECT THE POWER CORD FROM DAMAGE DUE TO BEING WALKED ON, PINCHED, OR STRAINED. UNPLUG THE APPARATUS DURING LIGHTNING STORMS OR WHEN UNUSED FOR LONG PERIODS OF TIME. ONLY USE ATTACHMENTS, ACCESSORIES, STANDS, OR BRACKETS SPECIFIED BY THE MANUFACTURER FOR SAFE OPERATION AND TO AVOID INJURY. WARNING: TO REDUCE THE RISK OF ELECTRIC SHOCK OR FIRE, DO NOT EXPOSE THIS UNIT TO RAIN OR MOISTURE.. SERVICE MUST BE PERFORMED BY QUALIFIED PERSONNEL. OUR AMPLIFIERS ARE CAPABLE OF PRODUCING HIGH SOUND PRESSURE LEVELS. CONTINUED EXPOSURE TO HIGH SOUND PRESSURE LEVELS CAN CAUSE PERMANENT HEARING IMPAIRMENT OR LOSS. USER CAUTION IS ADVISED AND EAR PROTECTION IS RECOMMENDED IF UNIT IS OPERATED AT HIGH VOLUME. 											
<table style="width: 100%; border: none;"> <tr> <td style="width: 33%; font-size: 8px;">EXPLANATION OF GRAPHICAL SYMBOLS:</td> <td style="width: 33%; text-align: center;"> = "DANGEROUS VOLTAGE" "VOLTAJE PELIGROSO" "DANGER HAUTE TENSION" </td> <td style="width: 33%; text-align: center;"> = "IT IS NECESSARY FOR THE USER TO REFER TO THE INSTRUCTION MANUAL" "ES NECESARIO QUE EL USUARIO SE REFIERA AL MANUAL DE INSTRUCCIONES." "REFERREZ-VOUS AU MANUAL D'UTILISATION" </td> </tr> <tr> <td style="font-size: 8px;">EXPLICACION DE SIMBOLOS GRAFICOS:</td> <td></td> <td></td> </tr> <tr> <td style="font-size: 8px;">EXPLICATION DES SYMBOLES GRAPHIQUES:</td> <td></td> <td></td> </tr> </table>			EXPLANATION OF GRAPHICAL SYMBOLS:	= "DANGEROUS VOLTAGE" "VOLTAJE PELIGROSO" "DANGER HAUTE TENSION"	= "IT IS NECESSARY FOR THE USER TO REFER TO THE INSTRUCTION MANUAL" "ES NECESARIO QUE EL USUARIO SE REFIERA AL MANUAL DE INSTRUCCIONES." "REFERREZ-VOUS AU MANUAL D'UTILISATION"	EXPLICACION DE SIMBOLOS GRAFICOS:			EXPLICATION DES SYMBOLES GRAPHIQUES:		
EXPLANATION OF GRAPHICAL SYMBOLS:	= "DANGEROUS VOLTAGE" "VOLTAJE PELIGROSO" "DANGER HAUTE TENSION"	= "IT IS NECESSARY FOR THE USER TO REFER TO THE INSTRUCTION MANUAL" "ES NECESARIO QUE EL USUARIO SE REFIERA AL MANUAL DE INSTRUCCIONES." "REFERREZ-VOUS AU MANUAL D'UTILISATION"									
EXPLICACION DE SIMBOLOS GRAFICOS:											
EXPLICATION DES SYMBOLES GRAPHIQUES:											

Congratulations!

You are now the proud owner of the compact but powerful Crate BT25/BT50 Bass Amplifier. The BT25/BT50 features two different channels: a distortion channel, featuring Crate's exclusive Shape control for quick and easy access to the tone you need, and a clean channel with a four-band rotary EQ. Another unique and valuable feature of this amplifier is the Octave control. This feature electronically creates a second signal that is one octave lower than the original signal. An active electronic tuner, conveniently located on top of the amplifier, allows you to get in tune and stay in tune "on the fly." Front panel jacks are provided for connecting a CD player and a pair of headphones, thereby optimizing your practice time.

Like all Crate products, your BT25/BT50 is designed by musicians and built using only the best components. Extensive testing at the hands (and ears) of skilled technicians and musicians insures you that this amplifier is the absolute best it can be.

In order to get the most out of your new bass amp, we urge you to check out the information in this manual before you begin playing.

And **thank you** for choosing Crate.

Declaration Of Conformity

#28, Effective 01-01-2001

Manufacturer's Name: SLM Electronics
Production Facility: 1901 Congressional Drive, St. Louis, MO 63146, USA
Production Facility: 700 Hwy 202 W, Yellville, AR 72687, USA
Shipping Facility: 1400 Ferguson Ave., St. Louis, MO 63133, USA
Office Facility: 1400 Ferguson Ave., St. Louis, MO 63133, USA

Product Type: Audio Amplifier

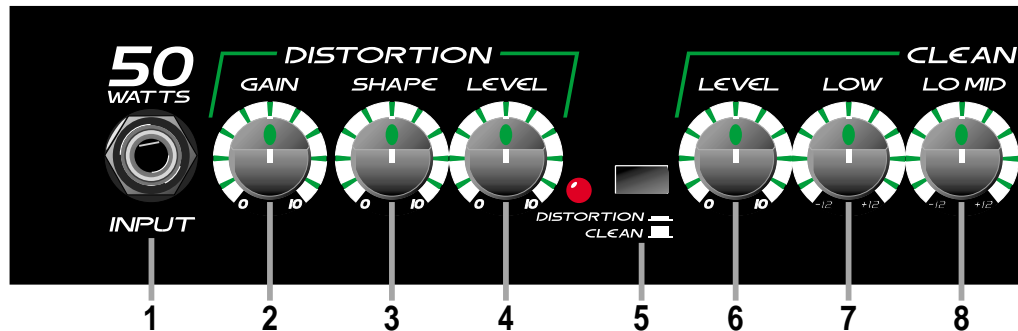
Complies with the following Standards:

Safety: EN60065, E60065, C22.2, UL6500 and/or UL813
EMC: Directive 89/336/EEC, EN55103, EN55013, EN61000, and/or FCC 47CFR 15B cIA

Supplementary information provided by:
SLM Electronics - R & D Engineering
1901 Congressional Drive, St Louis, MO 63146, USA
Tel.: 314-569-0141, Fax: 314-569-0175

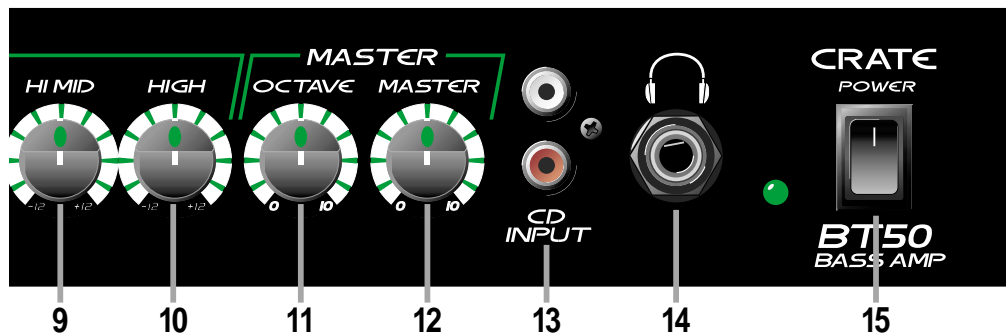
CRATE **BT25/BT50** Bass Amplifier

The Front Panel:



- 1. INPUT:** Use this 1/4" jack to connect your bass to the amplifier by means of a shielded instrument cable.
 - 2. GAIN:** Use this control to adjust the amount of distortion for the Distortion channel. As you rotate the control clockwise the amount of distortion increases.
 - 3. SHAPE:** Use this control to adjust the tone of the Distortion channel, from a studio "V"-shaped tone to a more "live," more present sound.
 - 4. LEVEL:** Use this control to adjust the output level of the Distortion channel.
 - 5. CHANNEL SWITCH:** Use this switch to select either channel. With the switch in the out position, the Clean channel is selected. When the switch is depressed, the Distortion channel is selected. The adjacent LED illuminates when the Distortion channel is selected. **NOTE:** When using a footswitch: when this switch is depressed, the footswitch switches between the Distortion channel and the Clean channel; when this button is in the out position, the Clean channel is always active, and the footswitch turns the Distortion channel on and off, allowing you a blend of both channels.
 - 6. LEVEL:** Use this control to adjust the output level of the Clean channel, and as part of the Octave level control (see #11).
- NOTE: The BT25/BT50 employs an internal noise gate to keep residual noise to a minimum. Regardless of which channel is selected, the Clean channel's Level control (#6) must be turned up above "0" in order for the noise gate to trigger.*
- 7. LOW:** Use this control to adjust the low frequency output of the Clean channel.
 - 8. LOW MID:** Use this control to adjust the lower-midrange frequency output of the Clean channel.
 - 9. HIGH MID:** Use this control to adjust the upper-midrange frequency output of the Clean channel.
 - 10. HIGH:** Use this control to adjust the high frequency output of the Clean channel.
 - 11. OCTAVE:** The BT25/BT50 features internal circuitry which creates a second signal which is one octave lower than the input signal. Use this control in conjunction with the Clean channel's Level control (#6) to adjust the level of the octave signal.
 - 12. MASTER:** Use this control to adjust the overall output level of the amplifier.

CRATE **BT25/BT50** Bass Amplifier



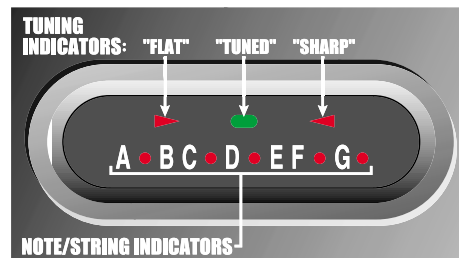
13. CD INPUT: Use these RCA jacks to connect the line level (or headphones) output of a CD player, tape deck or rhythm machine to the amplifier. The signal level from these jacks is adjusted by the Master control (#12). If the signal from the source connected to these jacks is too strong, use the output level control on the source to adjust the signal to obtain the proper level for a good mix.

14. HEADPHONES: Use this jack to listen to the amplifier through a pair of stereo headphones. The internal speaker is disconnected when the headphones jack is used.

CAUTION: To avoid possible damage to your hearing, do not use headphones for extended periods of time at extremely loud listening levels.

15. POWER: Use this switch to turn the amplifier on and off. The adjacent LED illuminates when the amplifier is turned on.

16. ELECTRONIC TUNER (top panel): This active electronic tuner is on whenever the amplifier is turned on, allowing you constant, “real-time” tuning. The tuner is fully chromatic – use the flat and sharp indicators until the LED between them illuminates, indicating proper tuning.



The Rear Panel (not shown):

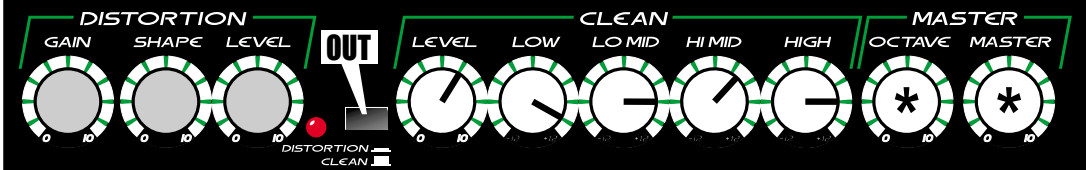
17. AC LINE CORD: The grounded power cord should only be plugged into a grounded power outlet that meets all applicable electrical codes and is compatible with the voltage, power, and frequency requirements stated on the rear panel. **Do not attempt to defeat the safety ground connection.**

18. FOOTSWITCH: Connect a two-button footswitch (such as the Crate CFP-2) here for remote control of the channel selection/“blend” (see #5) and octave on/off. (When the Channel Switch [#5] is depressed, the footswitch switches between the Clean channel and the Distortion channel; when the switch is in the out position, the Clean channel is always active, and the footswitch turns the Distortion channel on and off, allowing you a blend of both channels.)

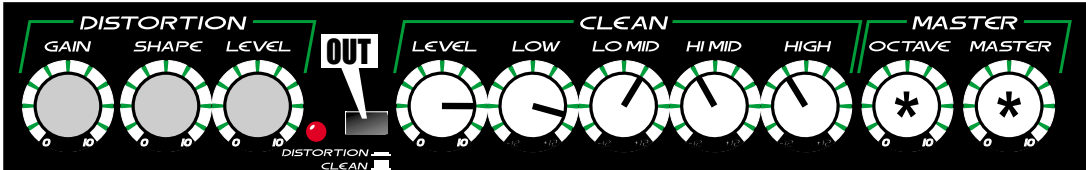
19. EXTERNAL SPEAKER: Use this jack to connect the amplifier to an external speaker cabinet (BT25 = 4 ohms minimum, BT50 = 8 ohms minimum). The internal speaker is disconnected when the external speaker jack is used.

Suggested Starting Settings:

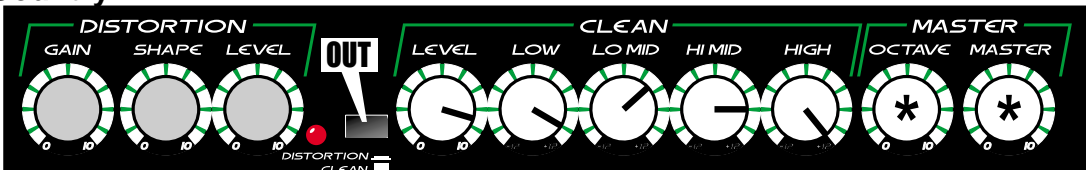
Rock:



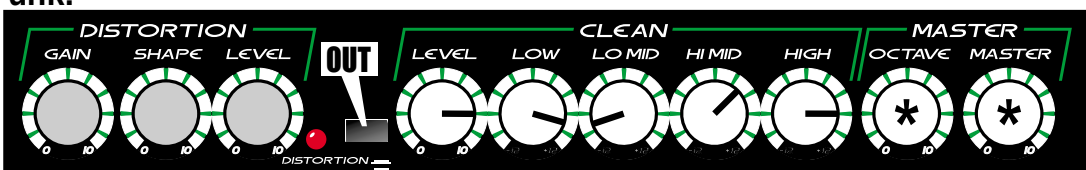
Jazz:



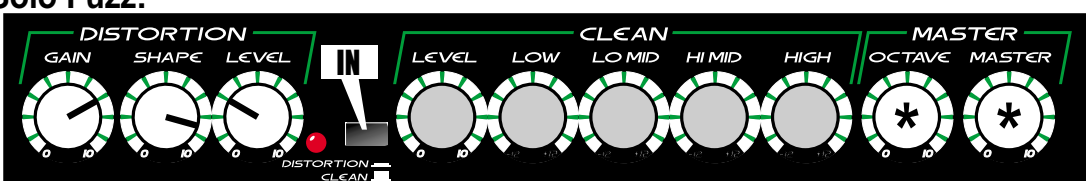
Country:



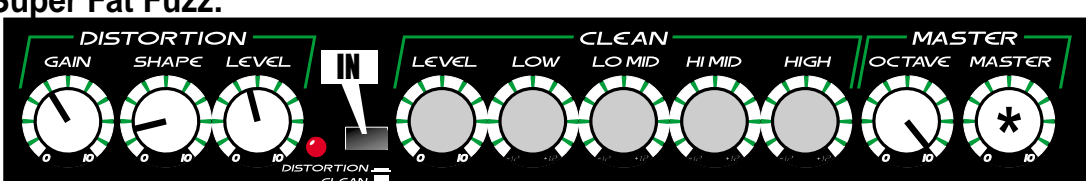
Funk:



Solo Fuzz:



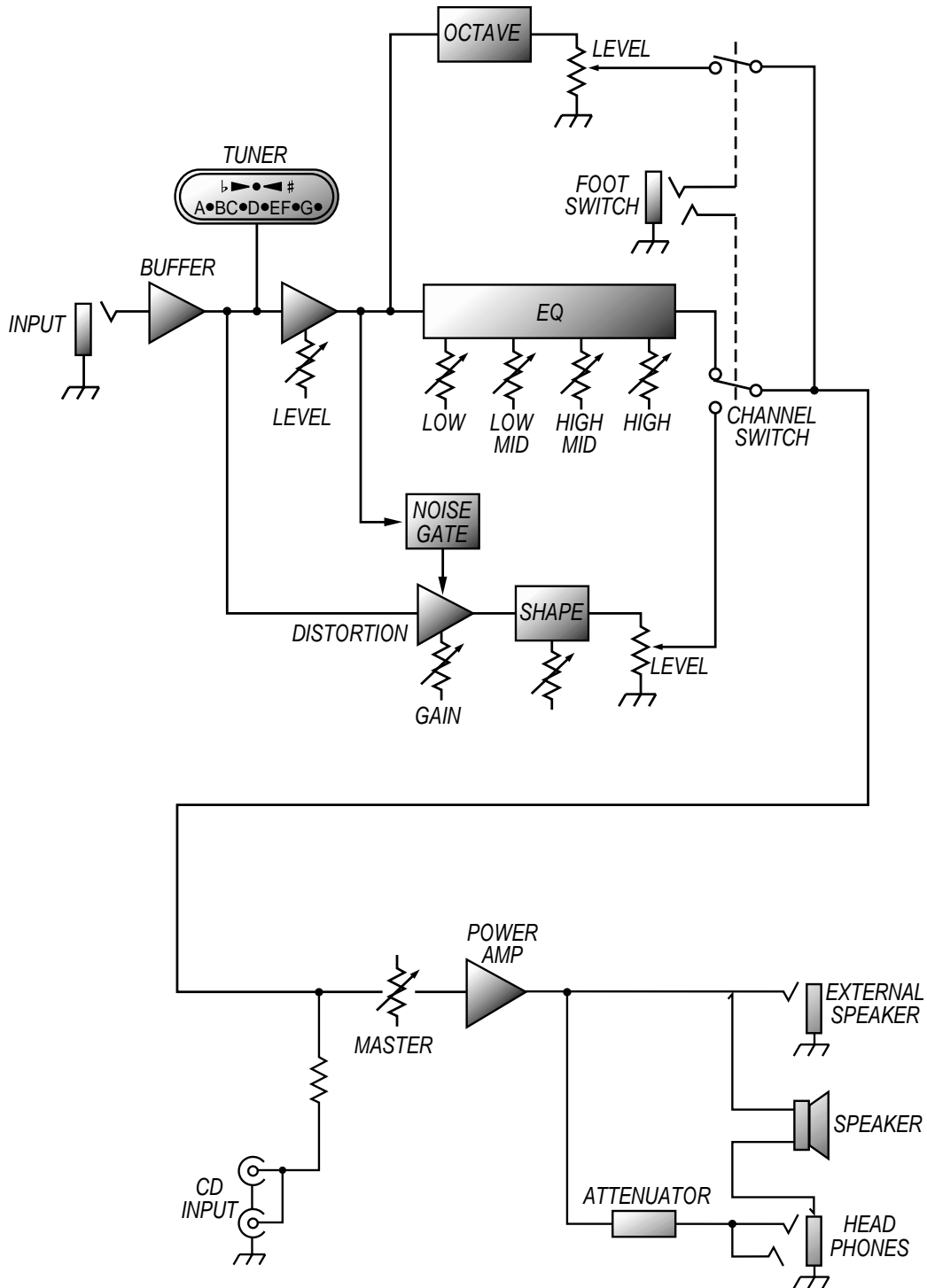
Super Fat Fuzz:



**As Needed*

CRATE BT25/BT50 Bass Amplifier

System Block Diagram:



CRATE **BT25/BT50** Bass Amplifier

BT25/BT50 Technical Specifications:

	BT25	BT50
Output Power Rating	25W RMS 2% THD, 4Ω, 120 VAC	50W RMS 2% THD, 4Ω, 120 VAC
Gain Distortion Channel	100dB	104dB
	Clean Channel 60dB	63dB
	CD Inputs 33dB	37dB
Tone Range	Low 21dB @ 50Hz	21dB @ 50Hz
	Lo Mid 23dB @ 150Hz	23dB @ 150Hz
	Hi Mid 18dB @ 1kHz	18dB @ 1kHz
	High 34dB @ 10kHz	34dB @ 10kHz
Signal to Noise Ratio	75dB	75dB
Input Impedance	220k ohms	220k ohms
Maximum Signal Accepted	15 volts peak-to-peak	15 volts peak-to-peak
Input Power Requirements	120 VAC, 60Hz, 45VA	120 VAC, 60Hz, 85VA
	100/115VAC, 50/60Hz, 45VA	100/115VAC, 50/60Hz, 85VA
	230VAC, 50/60Hz, 45VA	230VAC, 50/60Hz, 85VA
Internal Speaker	Size 10"	12"
	Type Crate Custom	Crate Custom
	Magnet 30 oz.	30 oz.
	Voice Coil 1"	1.5"
	RMS Rating 30 watts	50 watts
	Impedance 4 ohms	8 ohms
Size	18" H x 18" W x 12-1/2" D	21" H x 18" W x 14" D
Weight	37 lbs	46 lbs

Specifications subject to change without notice



www.crateamps.com

