

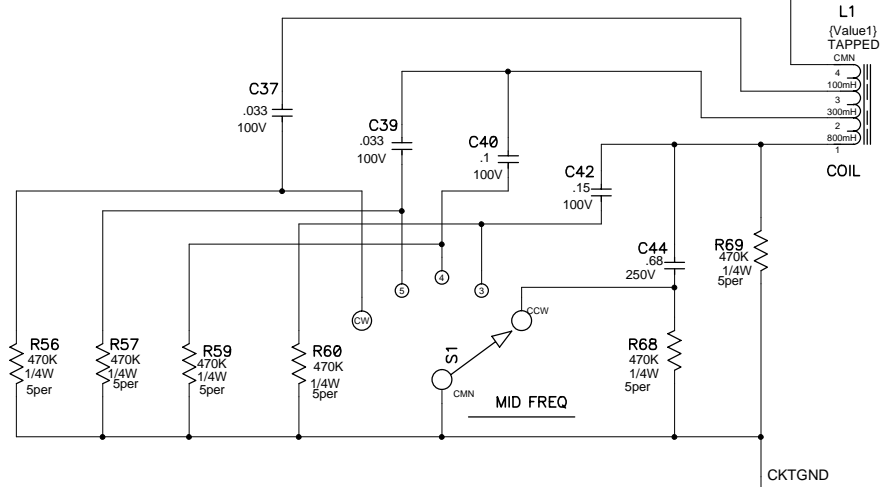
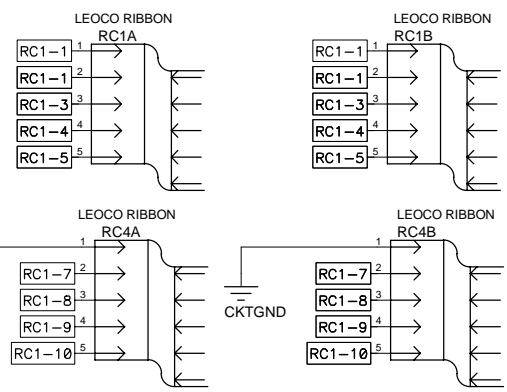
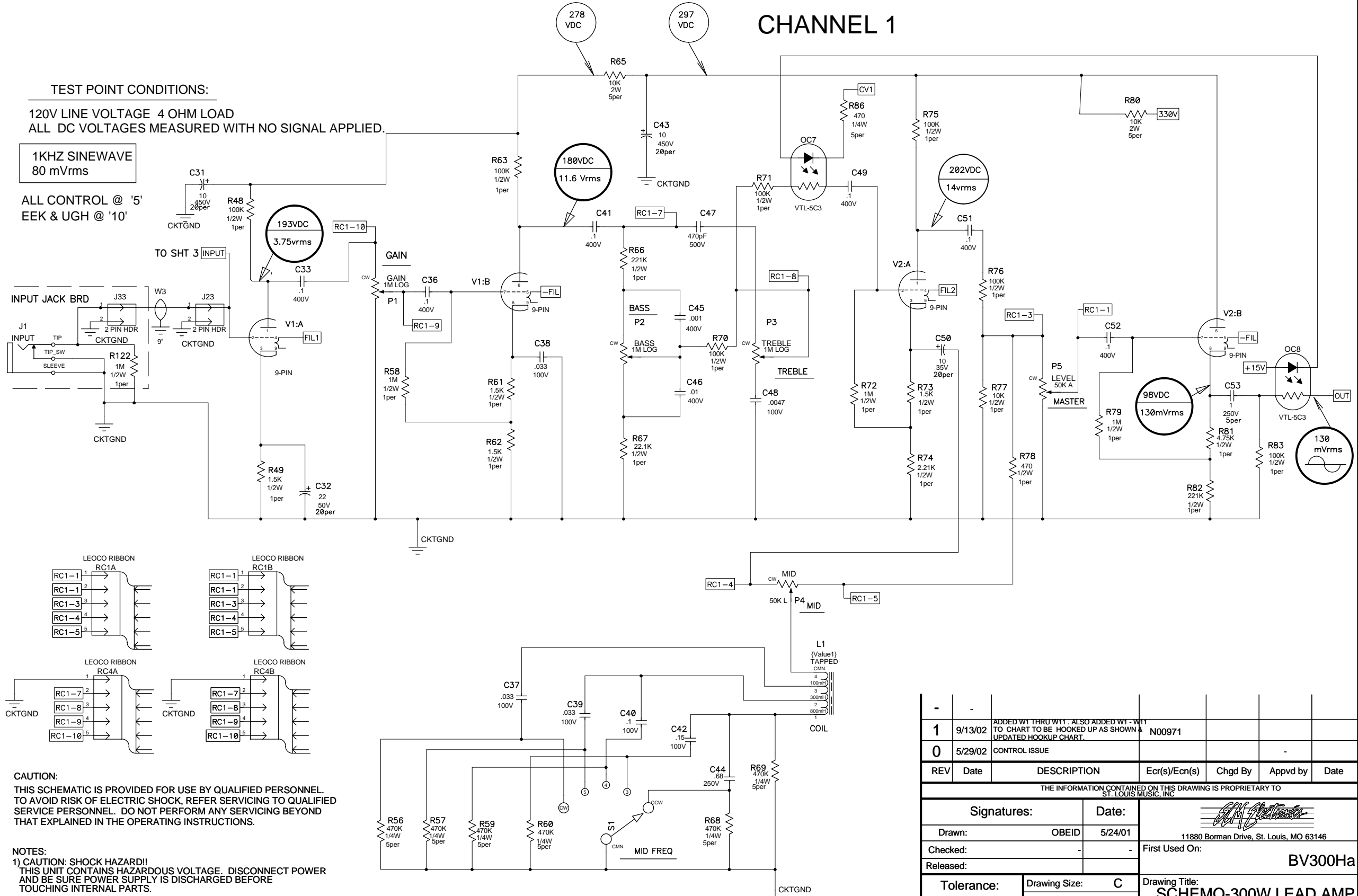
CHANNEL 1

TEST POINT CONDITIONS:

120V LINE VOLTAGE 4 OHM LOAD
ALL DC VOLTAGES MEASURED WITH NO SIGNAL APPLIED.

1KHZ SINEWAVE
80 mVrms

ALL CONTROL @ '5'
EER & UGH @ '10'

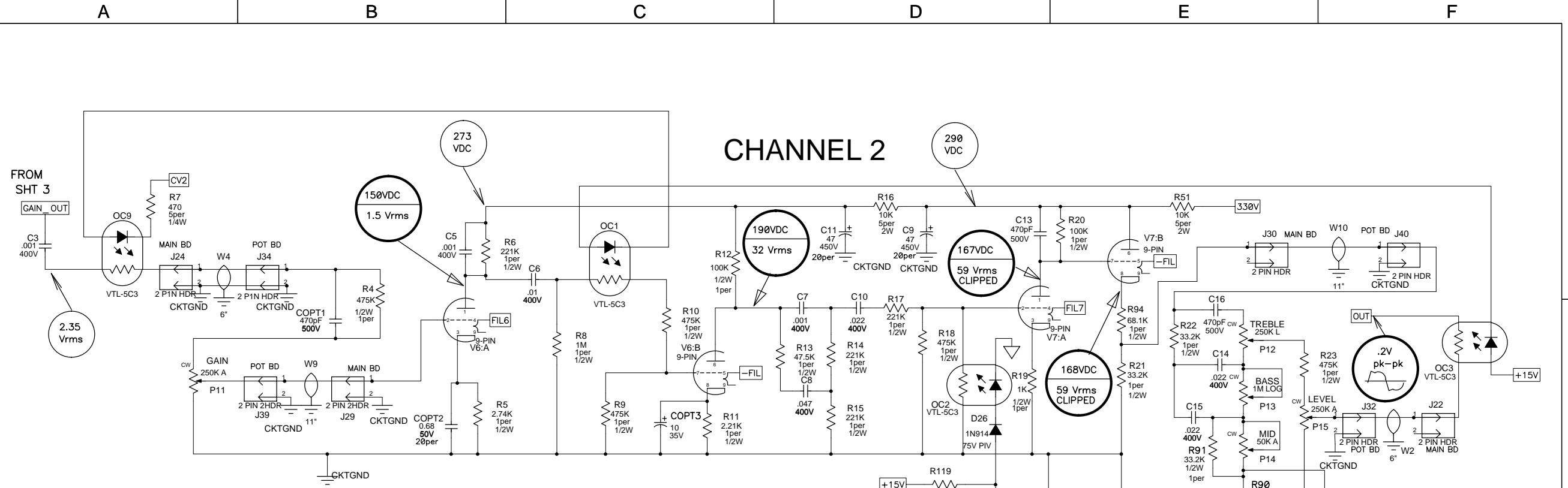


pwb p/n 06A109-01

CAUTION:
THIS SCHEMATIC IS PROVIDED FOR USE BY QUALIFIED PERSONNEL. TO AVOID RISK OF ELECTRIC SHOCK, REFER SERVICING TO QUALIFIED SERVICE PERSONNEL. DO NOT PERFORM ANY SERVICING BEYOND THAT EXPLAINED IN THE OPERATING INSTRUCTIONS.

- NOTES:**
- 1) CAUTION: SHOCK HAZARD!! THIS UNIT CONTAINS HAZARDOUS VOLTAGE. DISCONNECT POWER AND BE SURE POWER SUPPLY IS DISCHARGED BEFORE TOUCHING INTERNAL PARTS.
 - 2) UNLESS NOTED, RESISTOR VALUES IN OHMS, 1/4W-5% TOL. CAPACITOR VALUES IN MICROFARADS, 50V-10% TOL.
 - 3) VOLTAGES ARE MEASURED WITH 1 MEGOHM OSCILLOSCOPE AND 10 MEGOHM DIGITAL VOLTMETER.

REV	Date	DESCRIPTION	Ecr(s)/Ecn(s)	Chgd By	Appvd by	Date
1	9/13/02	ADDED W1 THRU W11. ALSO ADDED W1 - W11 TO CHART TO BE HOOKED UP AS SHOWN & UPDATED HOOKUP CHART.	N00971			
0	5/29/02	CONTROL ISSUE				
THE INFORMATION CONTAINED ON THIS DRAWING IS PROPRIETARY TO ST. LOUIS MUSIC, INC.						
Signatures:		Date:		 11880 Borman Drive, St. Louis, MO 63146		
Drawn: OBEID		5/24/01				
Checked: -		-		First Used On: BV300Ha		
Released: -		-		Drawing Title: SCHEMO-300W LEAD AMP		
Tolerance:		Drawing Size: C		Drawing Number: 07S109-XX		
		Drawing Type: Schematic				
		Class Code: NONE				
		Sheet 1 of 4				

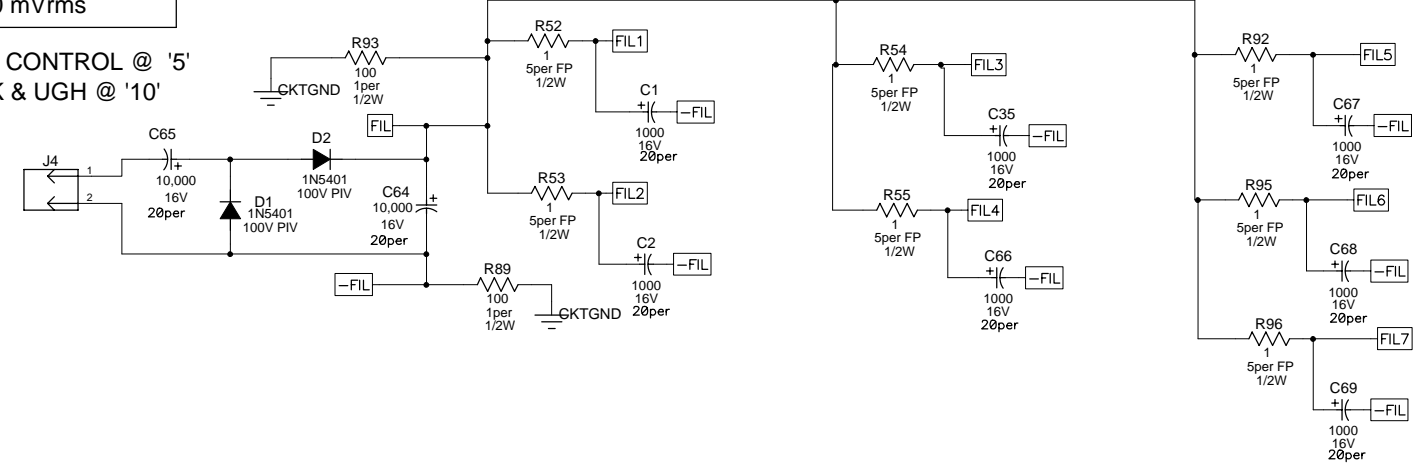


CHANNEL 2

TEST POINT CONDITIONS:
 120V LINE VOLTAGE 4 OHM LOAD
 ALL DC VOLTAGES MEASURED WITH NO SIGNAL APPLIED.

1KHZ SINEWAVE
 80 mVrms

ALL CONTROL @ '5'
 EEK & UGH @ '10'



CAUTION:
 THIS SCHEMATIC IS PROVIDED FOR USE BY QUALIFIED PERSONNEL TO AVOID RISK OF ELECTRIC SHOCK, REFER SERVICING TO QUALIFIED SERVICE PERSONNEL. DO NOT PERFORM ANY SERVICING BEYOND THAT EXPLAINED IN THE OPERATING INSTRUCTIONS.

NOTES:
 1) CAUTION: SHOCK HAZARD!! THIS UNIT CONTAINS HAZARDOUS VOLTAGE. DISCONNECT POWER AND BE SURE POWER SUPPLY IS DISCHARGED BEFORE TOUCHING INTERNAL PARTS.
 2) UNLESS NOTED, RESISTOR VALUES IN OHMS, 1/4W-5% TOL. CAPACITOR VALUES IN MICROFARADS, 50V-10% TOL.
 3) VOLTAGES ARE MEASURED WITH 1 MEGOHM OSCILLOSCOPE AND 10 MEGOHM DIGITAL VOLTMETER.

CABLE HOOKUP CHART				
WIRE #	2 PIN HDR ON MAIN BD	2 PIN HDR ON POT BD	P/N	DESCRIPTION
W1	J21	J31	97-206-40	6" SHIELDED CABLE PREP
W2	J22	J32	97-206-40	6" SHIELDED CABLE PREP
W3	J23	J33	97-206-45	9" SHIELDED CABLE PREP
W4	J24	J34	97-206-40	6" SHIELDED CABLE PREP
W5	J25	J35	97-206-45	9" SHIELDED CABLE PREP
W6	J26	J36	97-206-45	9" SHIELDED CABLE PREP
W7	J27	J37	97-206-40	6" SHIELDED CABLE PREP
W8	J28	J38	97-206-40	6" SHIELDED CABLE PREP
W9	J29	J39	97-206-55	11" SHIELDED CABLE PREP
W10	J30	J40	97-206-55	11" SHIELDED CABLE PREP
W11	J5 (5 PIN)	J8 (5 PIN)	97-010-03	5 PIN 11" HARNESS

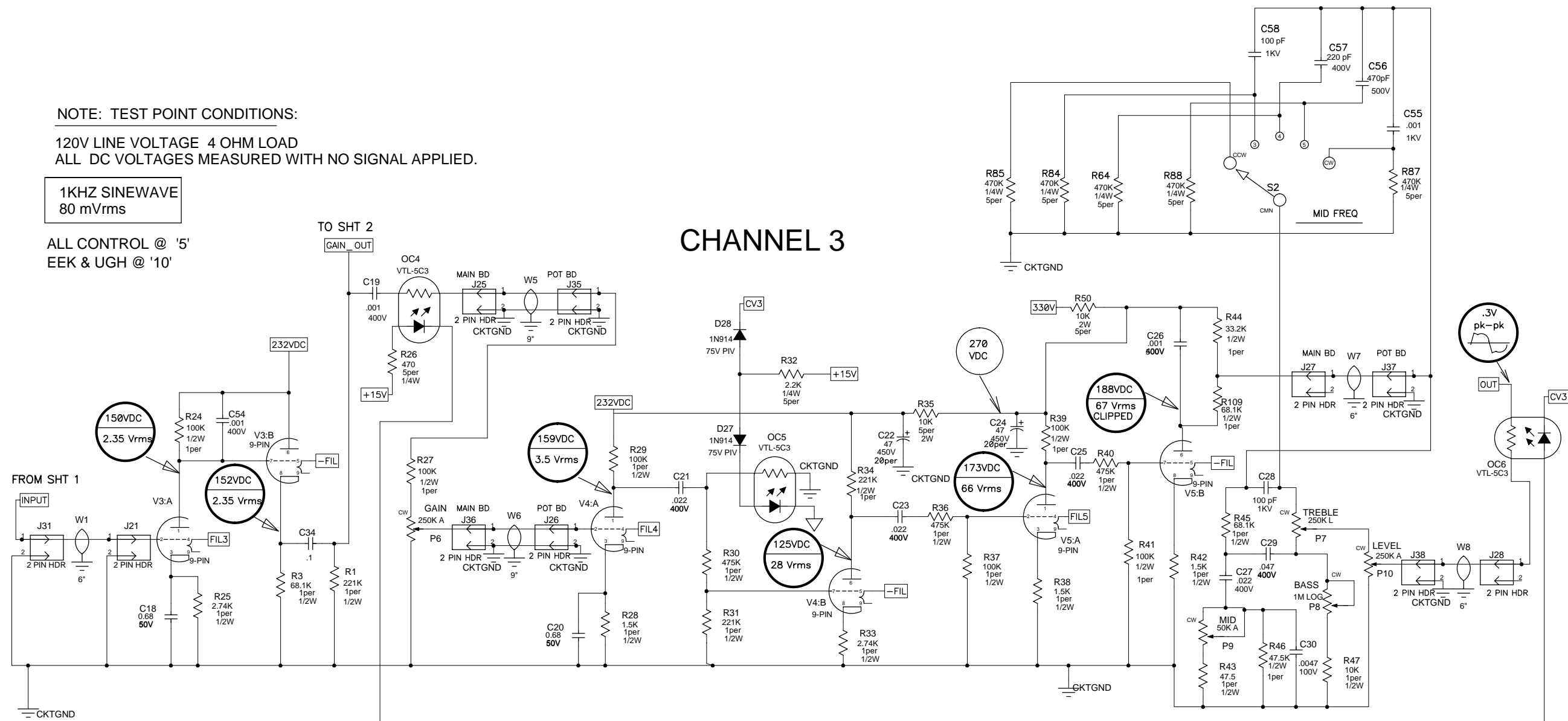
1	9/13/02	ADDED W1 THRU W11. ALSO ADDED W1 - W11 TO CHART TO BE HOOKED UP AS SHOWN & UPDATED HOOKUP CHART.	N00971	REM		
0	5/29/02	CONTROL ISSUE				
REV	Date	DESCRIPTION	Ecr(s)/Ecn(s)	Chgd By	Appvd by	Date
THE INFORMATION CONTAINED ON THIS DRAWING IS PROPRIETARY TO ST. LOUIS MUSIC, INC.						
Signatures:		Date:	 11880 Borman Drive, St. Louis, MO 63146 BV300Ha			
Drawn: OBEID		5/24/01				
Checked: -		-				
Released:						
Tolerance:		Drawing Size: C	Drawing Title: SCHEMO-300W LEAD AMP			
		Drawing Type: Schematic	Drawing Number: 07S109-XX			
		Class Code: NONE				
		Sheet 2 of 4				

NOTE: TEST POINT CONDITIONS:
 120V LINE VOLTAGE 4 OHM LOAD
 ALL DC VOLTAGES MEASURED WITH NO SIGNAL APPLIED.

1KHZ SINEWAVE
 80 mVrms

ALL CONTROL @ '5'
 EEK & UGH @ '10'

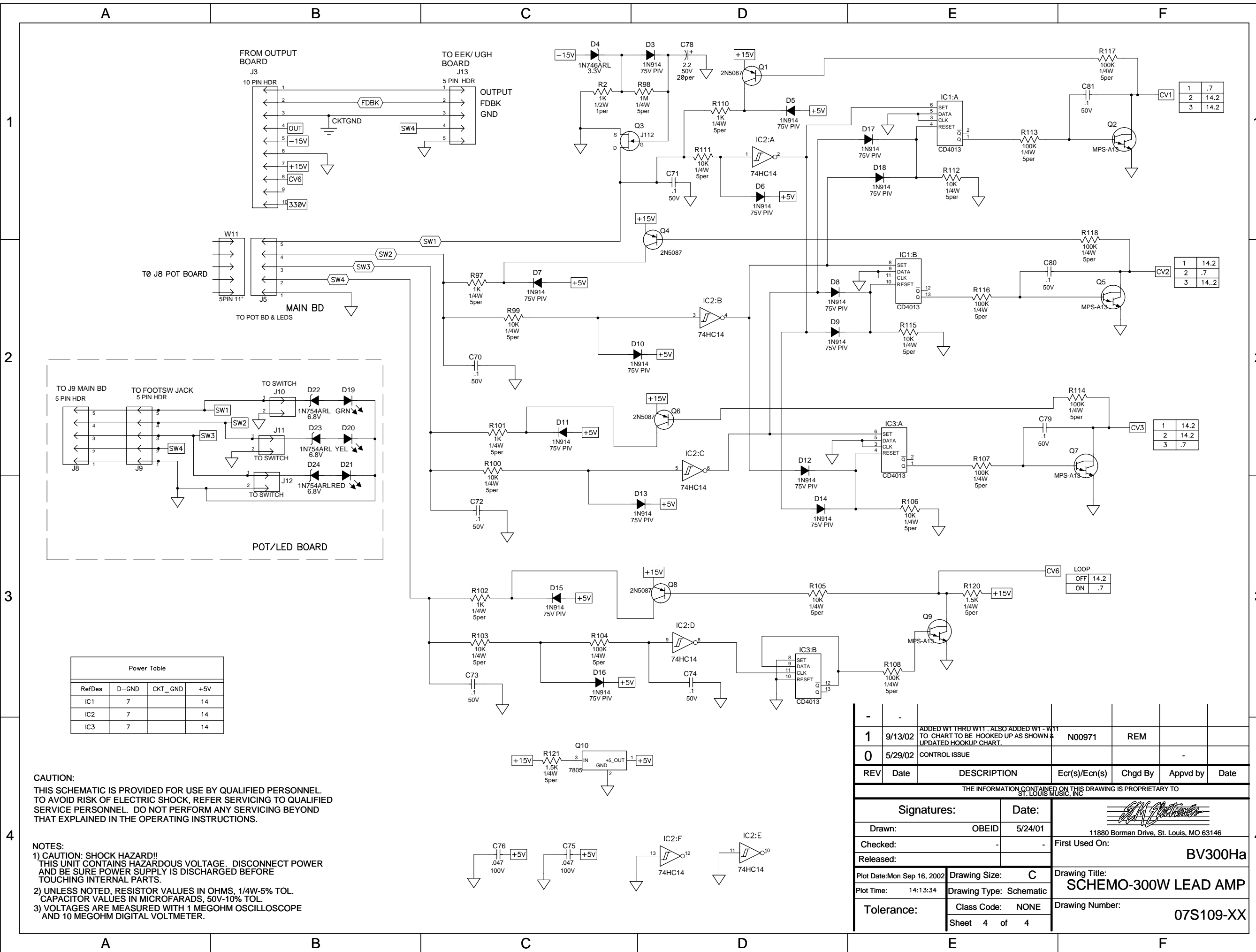
CHANNEL 3



CAUTION:
 THIS SCHEMATIC IS PROVIDED FOR USE BY QUALIFIED PERSONNEL.
 TO AVOID RISK OF ELECTRIC SHOCK, REFER SERVICING TO QUALIFIED
 SERVICE PERSONNEL. DO NOT PERFORM ANY SERVICING BEYOND
 THAT EXPLAINED IN THE OPERATING INSTRUCTIONS.

NOTES:
 1) CAUTION: SHOCK HAZARD!!
 THIS UNIT CONTAINS HAZARDOUS VOLTAGE. DISCONNECT POWER
 AND BE SURE POWER SUPPLY IS DISCHARGED BEFORE
 TOUCHING INTERNAL PARTS.
 2) UNLESS NOTED, RESISTOR VALUES IN OHMS, 1/4W-5% TOL.
 CAPACITOR VALUES IN MICROFARADS, 50V-10% TOL.
 3) VOLTAGES ARE MEASURED WITH 1 MEGOHM OSCILLOSCOPE
 AND 10 MEGOHM DIGITAL VOLTMETER.

1	9/13/02	ADDED W1 THRU W11. ALSO ADDED W1 - W11 TO CHART TO BE HOOKED UP AS SHOWN & UPDATED HOOKUP CHART.	N00971	REM		
0	5/29/02	CONTROL ISSUE				
REV	Date	DESCRIPTION	Ecr(s)/Ecn(s)	Chgd By	Appvd by	Date
THE INFORMATION CONTAINED ON THIS DRAWING IS PROPRIETARY TO ST. LOUIS MUSIC, INC.						
Signatures:			Date:		 11880 Borman Drive, St. Louis, MO 63146	
Drawn: OBEID		5/24/01				
Checked: -		-				
Released:				First Used On: BV300Ha		
Plot Date: Mon Sep 16, 2002		Drawing Size: C		Drawing Title: SCHEMO-300W LEAD AMP		
Plot Time: 14:13:33		Drawing Type: Schematic		Drawing Number: 07S109-XX		
Tolerance:		Class Code: NONE		Sheet 3 of 4		



Power Table			
RefDes	D-GND	CKT_GND	+5V
IC1	7		14
IC2	7		14
IC3	7		14

CAUTION:
 THIS SCHEMATIC IS PROVIDED FOR USE BY QUALIFIED PERSONNEL. TO AVOID RISK OF ELECTRIC SHOCK, REFER SERVICING TO QUALIFIED SERVICE PERSONNEL. DO NOT PERFORM ANY SERVICING BEYOND THAT EXPLAINED IN THE OPERATING INSTRUCTIONS.

- NOTES:**
- 1) CAUTION: SHOCK HAZARD!! THIS UNIT CONTAINS HAZARDOUS VOLTAGE. DISCONNECT POWER AND BE SURE POWER SUPPLY IS DISCHARGED BEFORE TOUCHING INTERNAL PARTS.
 - 2) UNLESS NOTED, RESISTOR VALUES IN OHMS, 1/4W-5% TOL. CAPACITOR VALUES IN MICROFARADS, 50V-10% TOL.
 - 3) VOLTAGES ARE MEASURED WITH 1 MEGOHM OSCILLOSCOPE AND 10 MEGOHM DIGITAL VOLTMETER.

REV	Date	DESCRIPTION	Ecr(s)/Ecn(s)	Chgd By	Appvd by	Date
1	9/13/02	ADDED W1 THRU W11. ALSO ADDED W1 - W11 TO CHART TO BE HOOKED UP AS SHOWN & UPDATED HOOKUP CHART.	N00971		REM	
0	5/29/02	CONTROL ISSUE				

THE INFORMATION CONTAINED ON THIS DRAWING IS PROPRIETARY TO ST. LOUIS MUSIC, INC.

Signatures:		Date:
Drawn: OBEID		5/24/01
Checked: -		-
Released: -		-
Plot Date: Mon Sep 16, 2002		Drawing Size: C
Plot Time: 14:13:34		Drawing Type: Schematic
Tolerance: -		Class Code: NONE
		Sheet 4 of 4

First Used On:		11880 Borman Drive, St. Louis, MO 63146
Released On:		BV300Ha
Drawing Title:		SCHEMO-300W LEAD AMP
Drawing Number:		07S109-XX