

A

B

C

D

1

1

2

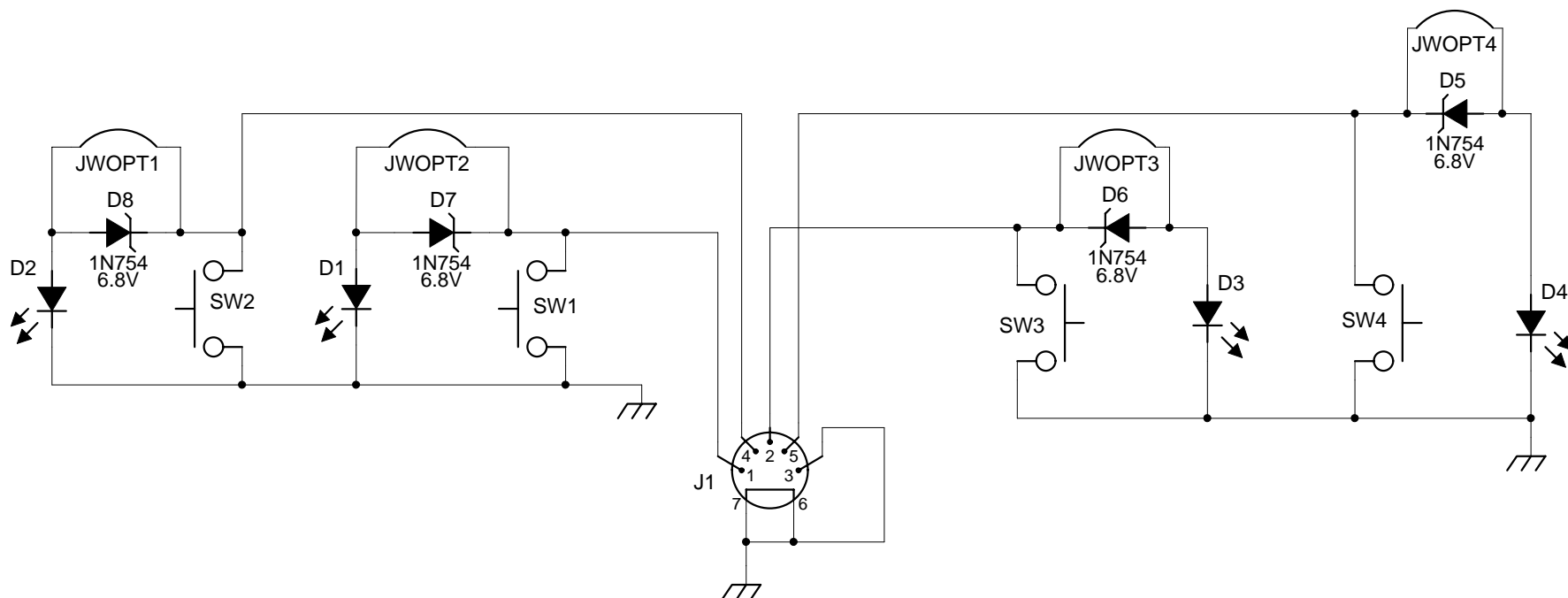
2

3

3

4

4




CAUTION:

THIS SCHEMATIC IS PROVIDED FOR USE BY QUALIFIED PERSONNEL. TO AVOID RISK OF ELECTRIC SHOCK, REFER SERVICING TO QUALIFIED SERVICE PERSONNEL. DO NOT PERFORM ANY SERVICING BEYOND THAT EXPLAINED IN THE OPERATING INSTRUCTIONS.

NOTES:

- 1) CAUTION: SHOCK HAZARD!! THIS UNIT CONTAINS HAZARDOUS VOLTAGE. DISCONNECT POWER AND BE SURE POWER SUPPLY IS DISCHARGED BEFORE TOUCHING INTERNAL PARTS.
- 2) UNLESS NOTED, RESISTOR VALUES IN OHMS, 1/4W-5% TOL. CAPACITOR VALUES IN MICROFARADS, 50V-10% TOL.
- 3) VOLTAGES ARE MEASURED WITH 1 MEGOHM OSCILLOSCOPE AND 10 MEGOHM DIGITAL VOLTMETER.

REV	Date	DESCRIPTION	Ecr(s)/Ecn(s)	Chgd By	Appvd by	Date	
1	06/29/04	ADDED -11 VERSION					
0	05/20/02	CONTROL ISSUE					
THE INFORMATION CONTAINED ON THIS DRAWING IS PROPRIETARY TO ST. LOUIS MUSIC, INC							
Signatures:			Date:		 11880 Borman Drive, St. Louis, MO 63146		
Drawn: WFB		04/09/02		First Used On:			
Checked:				Released:			
Plot Date: Thu Jul 15, 2004		Drawing Size: A		Drawing Title: PWA FOOTSWITCH			
Plot Time: 10:11:05		Drawing Type: Schematic		Drawing Number: 07S318			
Tolerance:		Class Code: NONE		Sheet 1 of 1			

A

B

C

D