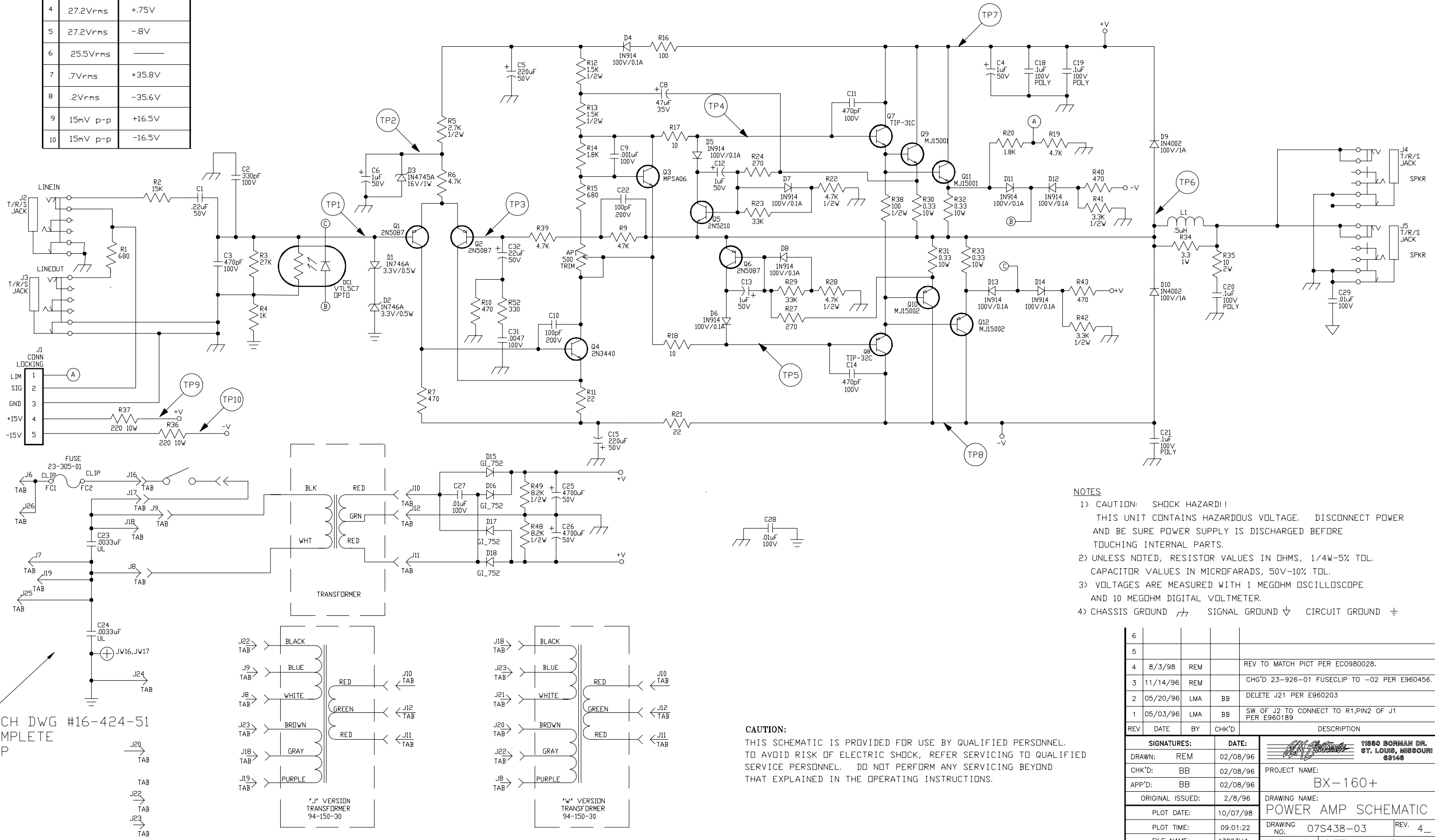


INPUT SIGNAL : 1.07p-p LIMITER DEFEATED @ 1KHZ  
4 OHM LOAD, 1 KHZ INPUT

T.P.	AC VOLTAGE	DC VOLTAGE
1	256mVrms	—
2	2.8mVrms	15.6V
3	244mVrms	—
4	27.2Vrms	+7.5V
5	27.2Vrms	-8V
6	25.5Vrms	—
7	.7Vrms	+35.8V
8	.2Vrms	-35.6V
9	15mV p-p	+16.5V
10	15mV p-p	-16.5V



**NOTES**

- 1) CAUTION: SHOCK HAZARD!! THIS UNIT CONTAINS HAZARDOUS VOLTAGE. DISCONNECT POWER AND BE SURE POWER SUPPLY IS DISCHARGED BEFORE TOUCHING INTERNAL PARTS.
- 2) UNLESS NOTED, RESISTOR VALUES IN OHMS, 1/4W-5% TOL. CAPACITOR VALUES IN MICROFARADS, 50V-10% TOL.
- 3) VOLTAGES ARE MEASURED WITH 1 MEGOHM OSCILLOSCOPE AND 10 MEGOHM DIGITAL VOLTMETER.
- 4) CHASSIS GROUND  $\text{---}$  SIGNAL GROUND  $\text{---}$  CIRCUIT GROUND  $\text{---}$

**CAUTION:**  
THIS SCHEMATIC IS PROVIDED FOR USE BY QUALIFIED PERSONNEL. TO AVOID RISK OF ELECTRIC SHOCK, REFER SERVICING TO QUALIFIED SERVICE PERSONNEL. DO NOT PERFORM ANY SERVICING BEYOND THAT EXPLAINED IN THE OPERATING INSTRUCTIONS.

SEE TECH DWG #16-424-51 FOR COMPLETE HOOK-UP

REV	DATE	BY	CHK'D	DESCRIPTION
6				
5				
4	8/3/98	REM		REV TO MATCH PICT PER ECO980028.
3	11/14/96	REM		CHG'D 23-926-01 FUSECLIP TO -02 PER E960456.
2	05/20/96	LMA	BB	DELETE J21 PER E960203
1	05/03/96	LMA	BB	SW OF J2 TO CONNECT TO R1,PIN2 OF J1 PER E960189

SIGNATURES:		DATE:	11860 BORMAN DR. ST. LOUIS, MISSOURI 63148
DRAWN:	REM	02/08/96	
CHK'D:	BB	02/08/96	PROJECT NAME:
APP'D:	BB	02/08/96	BX-160+
ORIGINAL ISSUED:		2/8/96	DRAWING NAME:
PLOT DATE:		10/07/98	POWER AMP SCHEMATIC
PLOT TIME:		09:01:22	DRAWING NO. 07S438-03
FILE NAME:		43803H4	REV. 4