

INPUT SIGNAL AT J5 PIN 1 OR J1  
 1.0V P-P @ 1KHz SINE WAVE.  
 120VAC LINE VOLTAGE, NO LOAD.

T.P.	AC VOLTAGE	DC VOLTAGE
1	1V p-p	—
2	.6V p-p	—
3	1.4V p-p	—
4	—	5.3V
5	—	-5.3V
6	39V p-p	+3V*
7	39V p-p	-3V*
8	39V p-p	—
9	—	-15V
10	—	+50V
11	—	-50V
12	—	+16V
13	—	-16V

**BIAS ADJUSTMENT:**  
 WITH NO SIGNAL AND NO LOAD,  
 ADJUST AP1 TO PRODUCE 2.0±1.0mV  
 AVERAGE ACROSS R25, 49, 52, AND 35

- NOTES**
- 1) CAUTION: SHOCK HAZARD!!  
 THIS UNIT CONTAINS HAZARDOUS VOLTAGE. DISCONNECT POWER AND BE SURE POWER SUPPLY IS DISCHARGED BEFORE TOUCHING INTERNAL PARTS.
  - 2) UNLESS NOTED, RESISTOR VALUES IN OHMS, 1/4W-5% TOL. CAPACITOR VALUES IN MICROFARADS, 50V-10% TOL.
  - 3) VOLTAGES ARE MEASURED WITH 1 MEGOHM OSCILLOSCOPE AND 10 MEGOHM DIGITAL VOLTMETER.
  - 4) CHASSIS GROUND ⚡ SIGNAL GROUND ⚡ CIRCUIT GROUND ⚡

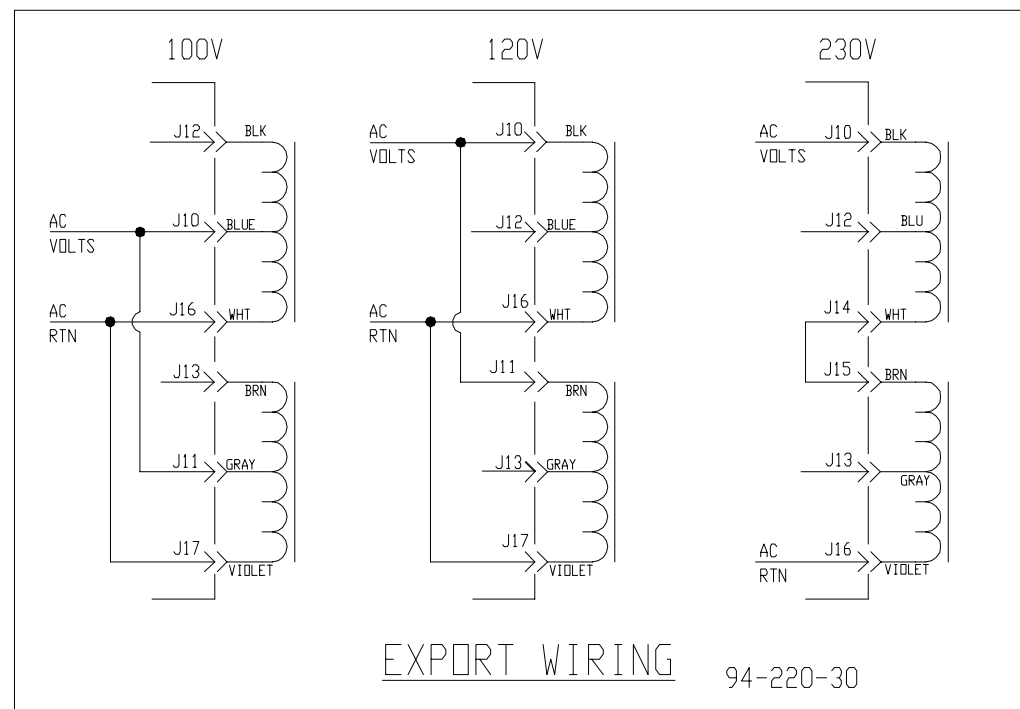
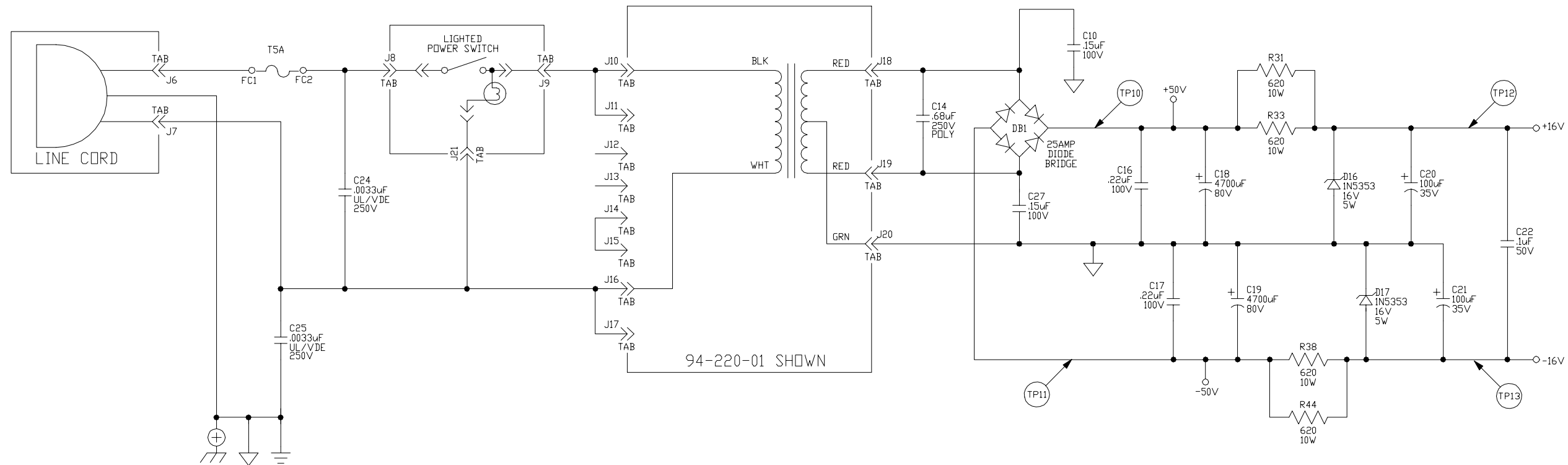
**CAUTION:**  
 THIS SCHEMATIC IS PROVIDED FOR USE BY QUALIFIED PERSONNEL. TO AVOID RISK OF ELECTRIC SHOCK, REFER SERVICING TO QUALIFIED SERVICE PERSONNEL. DO NOT PERFORM ANY SERVICING BEYOND THAT EXPLAINED IN THE OPERATING INSTRUCTIONS.

\* DC LEVEL IS APPROXIMATE DEPENDING ON BIAS


REV	DATE	BY	CHK'D	DESCRIPTION
8				
7				
6	5/7/98	REM		12R 96R PART # PER ECO970585 & 980013.
5	11/18/97	SWR		CHANGED C10, C16, C17, & C27 FROM RADIAL TO FORM LEADS. PER ECO #970739.
4	02/18/97	MAG		CHG'D TO 23-926-02 FUSE CLIPS AND NEW FUSES PER ECO 970062.
3	9/12/95	REM		R4, R7 VALUE PER E950273
2W	7/6/95	REM		J8, J9, J21 TO .250" TABS PER E950158
1Y	04/06/95	JCJ		REDESIGN PER ECO# E0613
0Z	02/07/95	JCJ		PER PCO# P0353

SIGNATURES:		DATE:	11860 BORMAN DR. ST. LOUIS, MISSOURI 63148
DRAWN:	JCJ	02/07/94	
CHK'D:			PROJECT NAME: BX-220H POWER AMP
APP'D:			DRAWING NAME: SCHEMATIC DRAWING
ORIGINAL ISSUED:		12/21/94	DRAWING NO. 07S433-01
PLOT DATE:		07/28/98	REV. 6
PLOT TIME:		13:05:11	SCALE: ~
FILE NAME:		43301h6_	SHEET: 1 OF 2



SEE SHEET 1 OF 2 FOR REVISION HISTORY

SIGNATURES:		DATE:	 11860 BORMAN DR. ST. LOUIS, MISSOURI 63148
DRAWN:	JCJ	02/07/94	
CHK'D:			PROJECT NAME:
APP'D:			BX-220H POWER AMP
ORIGINAL ISSUED:	12/21/94		DRAWING NAME:
PLOT DATE:	07/28/98		SCHEMATIC DRAWING
PLOT TIME:	13:05:11		DRAWING NO. 07S433-01
FILE NAME:	43301h6_		REV. 6_
SCALE: ~		SHEET: 2 OF 2	