

GAIN A @ 10, SHAPE @ 5, A LEVEL @ 5,  
 GAIN B & MASTER, TONES @ 5, OCTAVE @ 0,  
 CHANNEL B CLEAN, 500Hz INPUT 60mV p-p  
 120VAC NO LOAD

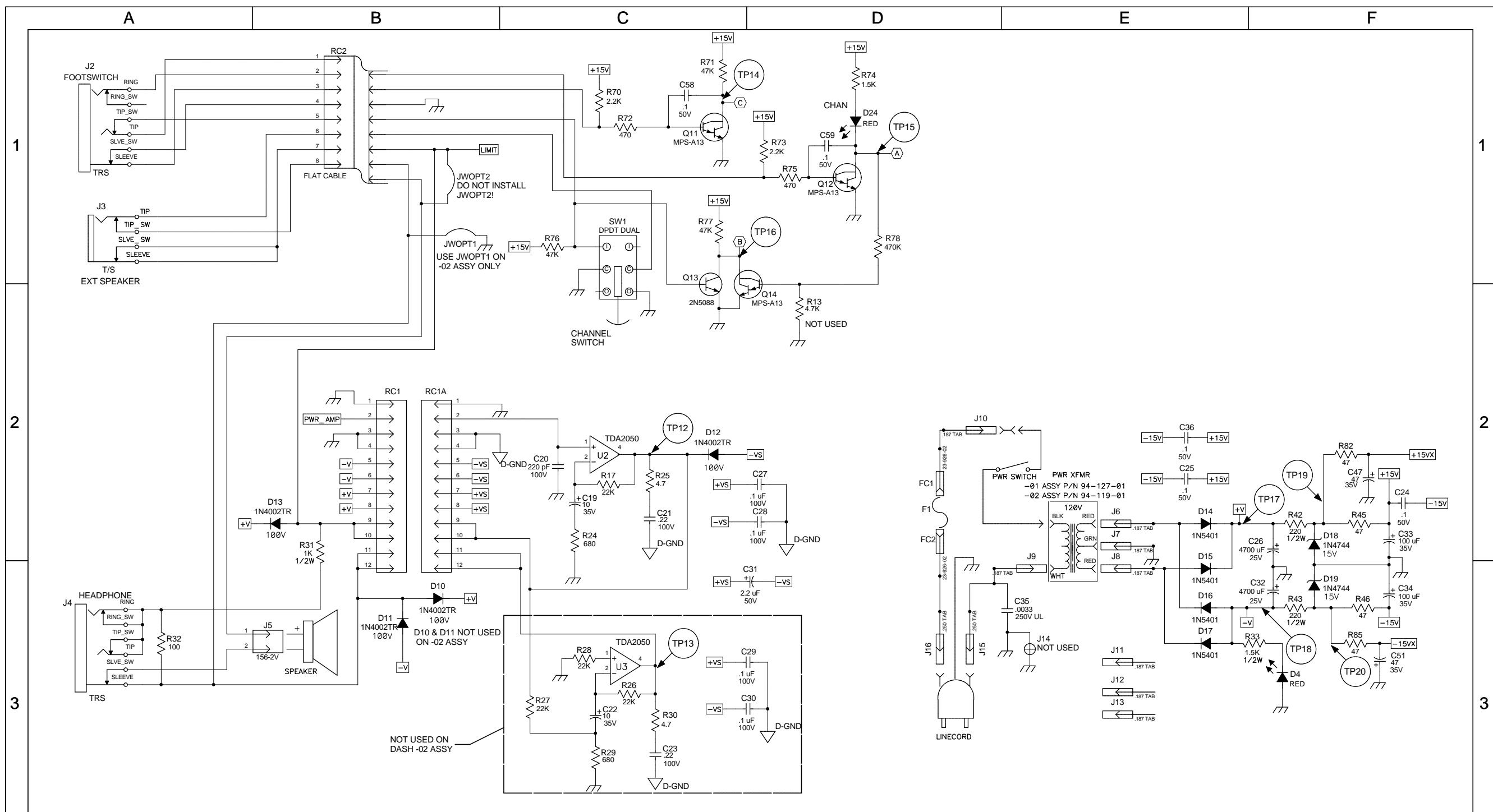
TEST POINT	WAVE SHAPE	A.C. p-p	D.C.	SPECIAL CONDITIONS
1	~	200mV	—	
2	~	150mV	—	
3	~	3.5V	—	CHANNEL A SELECTED
4	~	3V	—	CHANNEL A SELECTED
5	~	1.5V	—	CHANNEL A SELECTED
6	~	200mV	—	
7	~	460mV	—	
8	~	700mV	—	
9	~ <sup>+10</sup> <sub>-12</sub> 500Hz	22V	+/-4V	
10	~ <sup>+10</sup> <sub>-12</sub> 250Hz	12V	—	
11	~	80mV	—	
12	~	15V	—	
13	~	15V	—	
14	—	—	.7V	
15	—	—	.6V 10V	CHANNEL A SELECTED CHANNEL B SELECTED
16	—	—	10V .6V	CHANNEL A SELECTED CHANNEL B SELECTED
17	—	.2 RIPPLE	21V	
18	—	.2 RIPPLE	-21V	
19	—	—	14V	
20	—	—	-14V	

Ref Des	Device(Type)	Package	C_GND	-VS	+VS	+15V	-15V	-15VX	+15VX
U1	3707201_	8DIP.3				8	4		
U2	3725001_H	TDA20XXH	3	5					
U3	3725001_H	TDA20XXH	3	5					
U4	3707201_	8DIP.3				8	4		
U5	3707201_	8DIP.3				8	4		
U6	3707201_	8DIP.3				8	4		
U7	3707201_	8DIP.3				8	4		
U8	3707201_	8DIP.3					4		8
U12	3741301_	14DIP.3	7						14

CAUTION:  
 THIS SCHEMATIC IS PROVIDED FOR USE BY QUALIFIED PERSONNEL.  
 TO AVOID RISK OF ELECTRIC SHOCK, REFER SERVICING TO QUALIFIED  
 SERVICE PERSONNEL. DO NOT PERFORM ANY SERVICING BEYOND  
 THAT EXPLAINED IN THE OPERATING INSTRUCTIONS.

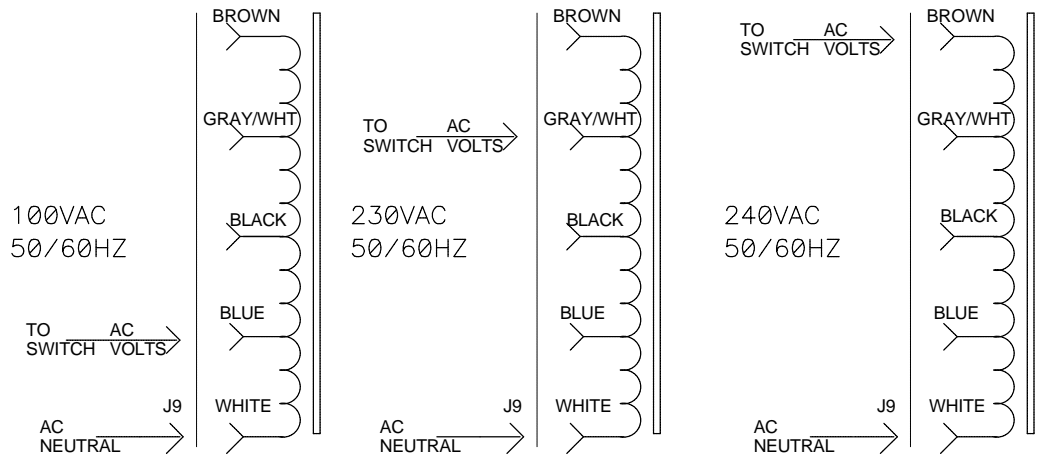
NOTES:  
 1) CAUTION: SHOCK HAZARD!!  
 THIS UNIT CONTAINS HAZARDOUS VOLTAGE. DISCONNECT POWER  
 AND BE SURE POWER SUPPLY IS DISCHARGED BEFORE  
 TOUCHING INTERNAL PARTS.  
 2) UNLESS NOTED, RESISTOR VALUES IN OHMS, 1/4W-5% TOL.  
 CAPACITOR VALUES IN MICROFARADS, 50V-10% TOL.  
 3) VOLTAGES ARE MEASURED WITH 1 MEGOHM OSCILLOSCOPE  
 AND 10 MEGOHM DIGITAL VOLTMETER.

0	12-18-00	CONTROL ISSUE				
A		INITIAL ISSUE			D000644	
REV	Date	DESCRIPTION	Ecr(s)/Ecrn(s)	Chgd By	Appvd by	Date
THE INFORMATION CONTAINED ON THIS DRAWING IS PROPRIETARY TO ST. LOUIS MUSIC, INC.						
Signatures:		Date:	 11880 Borman Drive, St. Louis, MO 63146			
Drawn: RLB		6-6-00				
Checked:		Released:	First Used On: <b>BX50a</b>			
Tolerance:		Drawing Size: C	Drawing Title: <b>PWA - BASS AMPLIFIER</b>			
		Drawing Type: Schematic	Drawing Number: <b>07S779-XX</b>			
		Class Code: NONE				
		Sheet 1 of 2				



**CAUTION:**  
THIS SCHEMATIC IS PROVIDED FOR USE BY QUALIFIED PERSONNEL TO AVOID RISK OF ELECTRIC SHOCK, REFER SERVICING TO QUALIFIED SERVICE PERSONNEL. DO NOT PERFORM ANY SERVICING BEYOND THAT EXPLAINED IN THE OPERATING INSTRUCTIONS.

**NOTES:**  
1) CAUTION: SHOCK HAZARD!! THIS UNIT CONTAINS HAZARDOUS VOLTAGE. DISCONNECT POWER AND BE SURE POWER SUPPLY IS DISCHARGED BEFORE TOUCHING INTERNAL PARTS.  
2) UNLESS NOTED, RESISTOR VALUES IN OHMS, 1/4W-5% TOL. CAPACITOR VALUES IN MICROFARADS, 50V-10% TOL.  
3) VOLTAGES ARE MEASURED WITH 1 MEGOHM OSCILLOSCOPE AND 10 MEGOHM DIGITAL VOLTMETER.



0	12-18-00	CONTROL ISSUE				RLB
A		INITIAL ISSUE				D000644
REV	Date	DESCRIPTION	Ecr(s)/Ecn(s)	Chgd By	Appvd by	Date
THE INFORMATION CONTAINED ON THIS DRAWING IS PROPRIETARY TO ST. LOUIS MUSIC, INC.						
Signatures:		Date:		 11880 Borman Drive, St. Louis, MO 63146		
Drawn: RLB		6-6-00				
Checked:				First Used On: BX50a		
Released:				Drawing Title: PWA - BASS AMPLIFIER		
Plot Date: Mon Dec 18, 2000		Drawing Size: C		Drawing Number: 07S779-XX		
Plot Time: 13:28:26		Drawing Type: Schematic				
Tolerance:		Class Code: NONE				
		Sheet 2 of 2				