

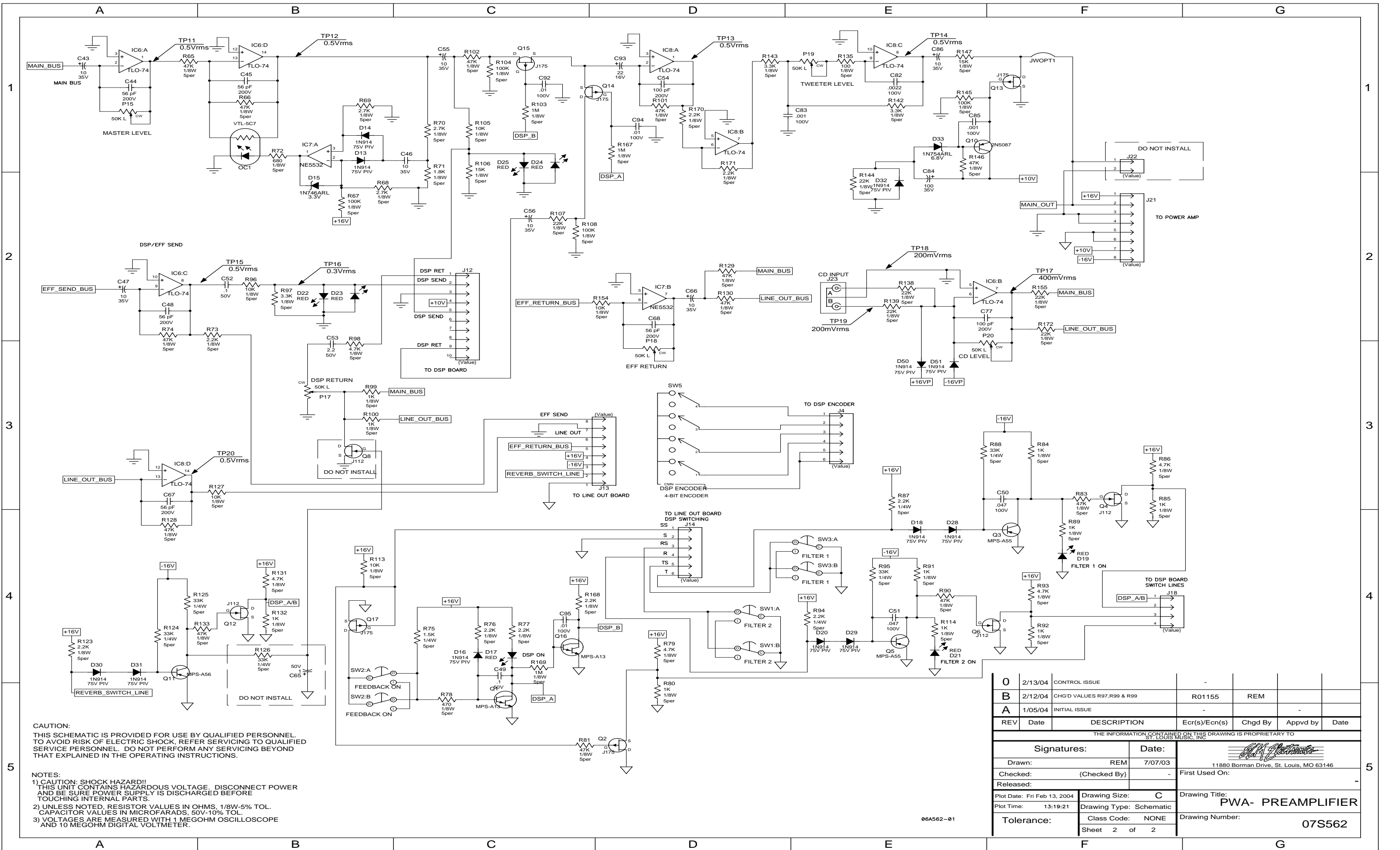
TEST POINT CONDITIONS:
 GAIN1, GAIN2, DSP/EFF SEND, EFFECTS RETURN,
 CD LEVEL & LEVEL @ "10"
 ALL OTHER CONTROLS @ "5" EXCEPT DSP LEVEL @ "0".
 1KHZ SINEWAVE INPUT.

CAUTION:
 THIS SCHEMATIC IS PROVIDED FOR USE BY QUALIFIED PERSONNEL.
 TO AVOID RISK OF ELECTRIC SHOCK, REFER SERVICING TO QUALIFIED
 SERVICE PERSONNEL. DO NOT PERFORM ANY SERVICING BEYOND
 THAT EXPLAINED IN THE OPERATING INSTRUCTIONS.

NOTES:
 1) CAUTION: SHOCK HAZARD!!
 THIS UNIT CONTAINS HAZARDOUS VOLTAGE. DISCONNECT POWER
 AND BE SURE POWER SUPPLY IS DISCHARGED BEFORE
 TOUCHING INTERNAL PARTS.
 2) UNLESS NOTED, RESISTOR VALUES IN OHMS, 1/8W-5% TOL.
 CAPACITOR VALUES IN MICROFARADS, 50V-10% TOL.
 3) VOLTAGES ARE MEASURED WITH 1 MEGOHM OSCILLOSCOPE
 AND 10 MEGOHM DIGITAL VOLTMETER.

| Power Table | | | |
|-------------|-------|------|-------|
| RefDes | +16VP | JUMP | -16VP |
| IC1 | 8 | | 4 |
| IC10 | 8 | | 4 |
| IC2 | 8 | | 4 |
| IC3 | 4 | | 11 |
| IC4 | 4 | | 11 |
| IC5 | 4 | | 11 |
| IC6 | 4 | | 11 |
| IC7 | 8 | | 4 |
| IC8 | 4 | | 11 |
| PWB1 | | | |
| SW5 | | 6,7 | |

| 0 | 2/13/04 | CONTROL ISSUE | | | | |
|---|---------|----------------------------|---------------|-------------------|----------------|------|
| B | 2/12/04 | CHG'D VALUES R97,R99 & R99 | R01155 | REM | | |
| A | 1/05/04 | INITIAL ISSUE | | | | |
| REV | Date | DESCRIPTION | Ecr(s)/Ecn(s) | Chgd By | Appvd by | Date |
| THE INFORMATION CONTAINED ON THIS DRAWING IS PROPRIETARY TO ST. LOUIS MUSIC, INC. | | | | | | |
| Signatures: | | | Date: | | | |
| Drawn: REM | | | 7/07/03 | | | |
| Checked: (Checked By) | | | | | First Used On: | |
| Released: | | | | | | |
| Plot Date: Fri Feb 13, 2004 | | Drawing Size: C | | Drawing Title: | | |
| Plot Time: 13:19:19 | | Drawing Type: Schematic | | PWA- PREAMPLIFIER | | |
| Tolerance: | | Class Code: NONE | | Drawing Number: | | |
| | | Sheet 1 of 2 | | 07S562 | | |



CAUTION:
 THIS SCHEMATIC IS PROVIDED FOR USE BY QUALIFIED PERSONNEL.
 TO AVOID RISK OF ELECTRIC SHOCK, REFER SERVICING TO QUALIFIED
 SERVICE PERSONNEL. DO NOT PERFORM ANY SERVICING BEYOND
 THAT EXPLAINED IN THE OPERATING INSTRUCTIONS.

NOTES:
 1) CAUTION: SHOCK HAZARD!!
 THIS UNIT CONTAINS HAZARDOUS VOLTAGE. DISCONNECT POWER
 AND BE SURE POWER SUPPLY IS DISCHARGED BEFORE
 TOUCHING INTERNAL PARTS.
 2) UNLESS NOTED, RESISTOR VALUES IN OHMS, 1/8W-5% TOL.
 CAPACITOR VALUES IN MICROFARADS, 50V-10% TOL.
 3) VOLTAGES ARE MEASURED WITH 1 MEGOHM OSCILLOSCOPE
 AND 10 MEGOHM DIGITAL VOLTMETER.

| 0 | 2/13/04 | CONTROL ISSUE | | | | |
|---|---------|----------------------------|------------------|-------------------|-----------------|------|
| B | 2/12/04 | CHG'D VALUES R97,R99 & R99 | R01155 | REM | | |
| A | 1/05/04 | INITIAL ISSUE | | | | |
| REV | Date | DESCRIPTION | Ecr(s)/Ecn(s) | Chgd By | Appvd by | Date |
| THE INFORMATION CONTAINED ON THIS DRAWING IS PROPRIETARY TO ST. LOUIS MUSIC, INC. | | | | | | |
| Signatures: | | | Date: | | | |
| Drawn: REM | | | 7/07/03 | | | |
| Checked: (Checked By) | | | | | First Used On: | |
| Released: | | | | | | |
| Plot Date: Fri Feb 13, 2004 | | Drawing Size: C | | Drawing Title: | | |
| Plot Time: 13:19:21 | | Drawing Type: Schematic | | PWA- PREAMPLIFIER | | |
| Tolerance: | | | Class Code: NONE | | Drawing Number: | |
| | | | Sheet 2 of 2 | | 07S562 | |