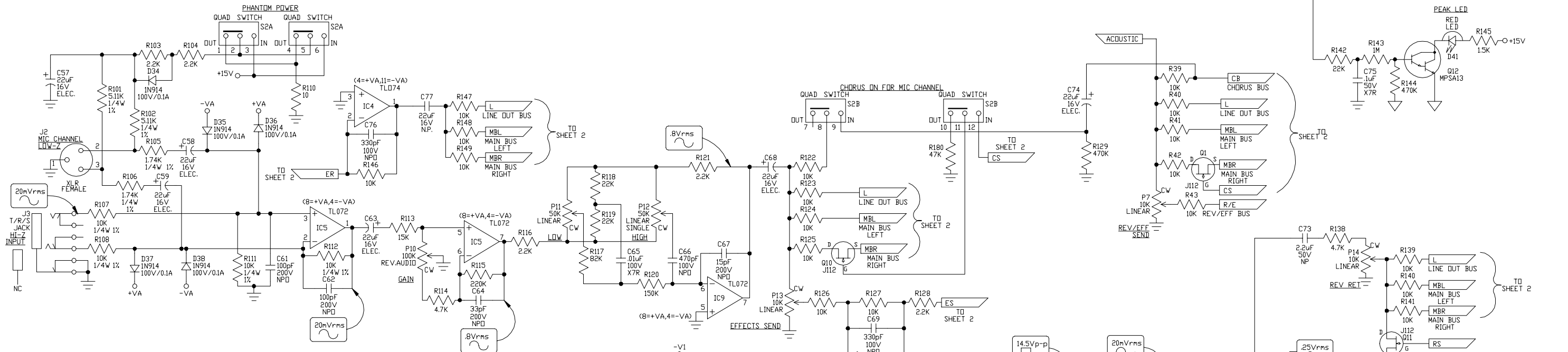
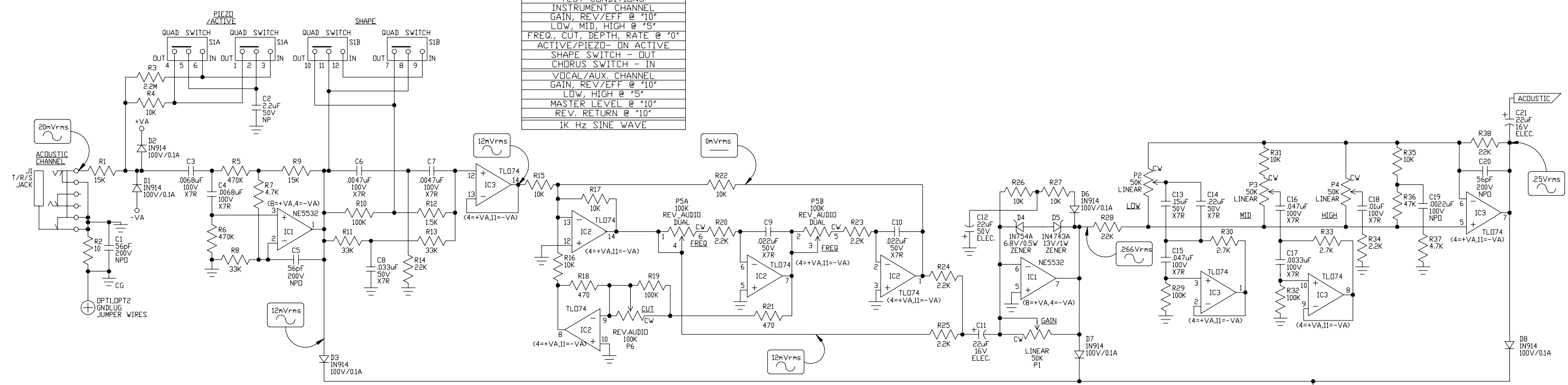


TEST CONDITIONS:
 INSTRUMENT CHANNEL
 GAIN, REV/EFF @ '10'
 LOW, MID, HIGH @ '5'
 FREQ. CUT, DEPTH, RATE @ '0'
 ACTIVE/PIEZO- ON ACTIVE
 SHAPE SWITCH - OUT
 CHORUS SWITCH - IN
 VOCAL/AUX. CHANNEL
 GAIN, REV/EFF @ '10'
 LOW, HIGH @ '5'
 MASTER LEVEL @ '10'
 REV. RETURN @ '10'
 1K Hz SINE WAVE

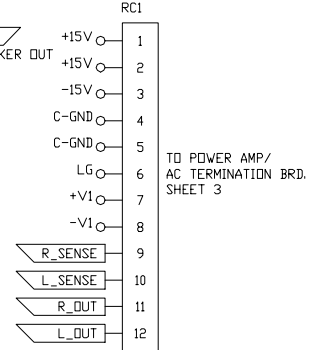
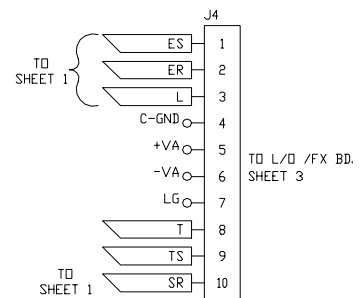
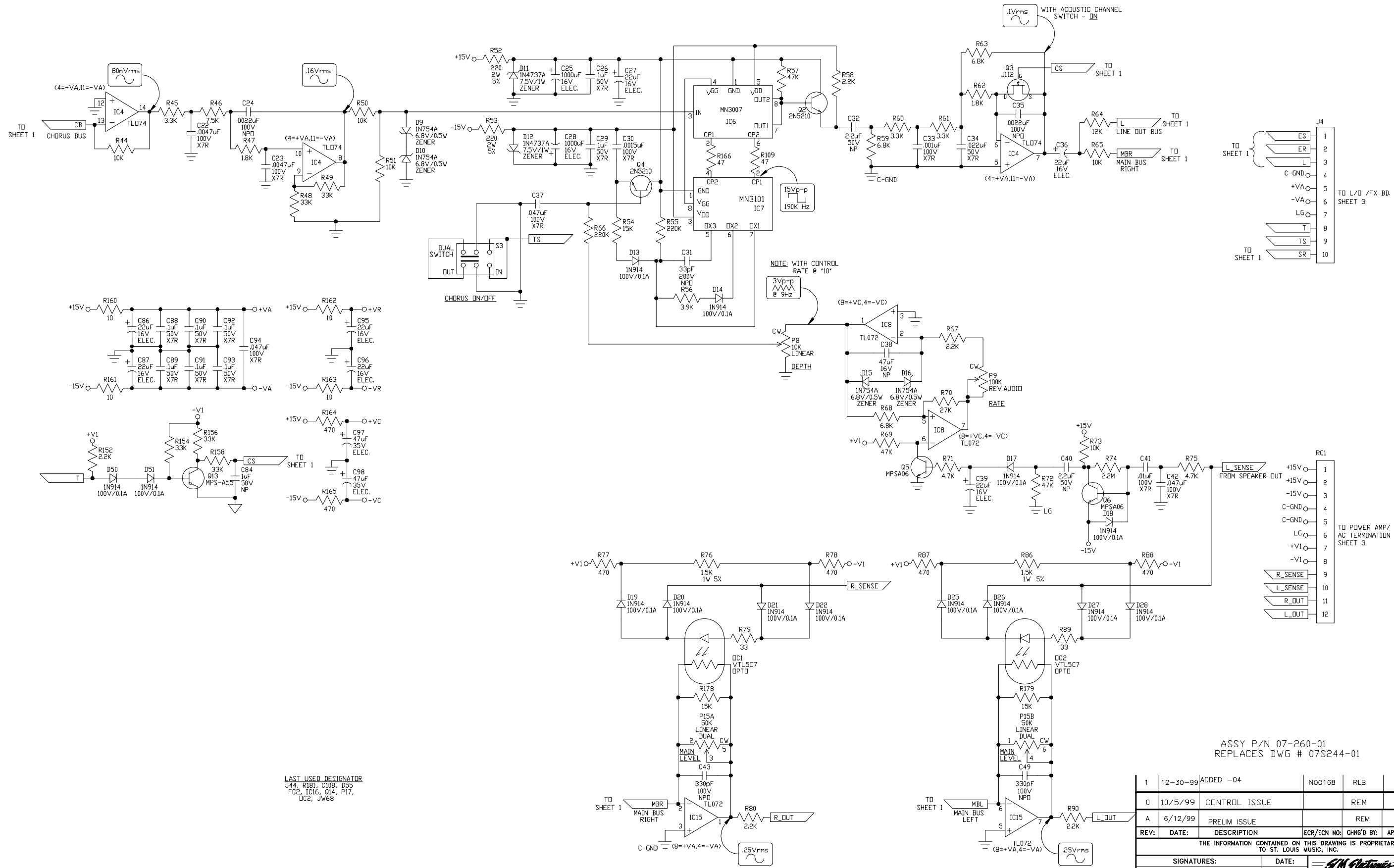


- NOTES**
- CAUTION: SHOCK HAZARD!! THIS UNIT CONTAINS HAZARDOUS VOLTAGE. DISCONNECT POWER AND BE SURE POWER SUPPLY IS DISCHARGED BEFORE TOUCHING INTERNAL PARTS.
 - UNLESS NOTED, RESISTOR VALUES IN OHMS, 1/4W-5% TOL. CAPACITOR VALUES IN MICROFARADS, 50V-10% TOL.
 - VOLTAGES ARE MEASURED WITH 1 MEGOHM OSCILLOSCOPE AND 10 MEGOHM DIGITAL VOLTMETER.
 - CHASSIS GROUND \perp SIGNAL GROUND ∇ CIRCUIT GROUND \oplus

CAUTION:
 THIS SCHEMATIC IS PROVIDED FOR USE BY QUALIFIED PERSONNEL. TO AVOID RISK OF ELECTRIC SHOCK, REFER SERVICING TO QUALIFIED SERVICE PERSONNEL. DO NOT PERFORM ANY SERVICING BEYOND THAT EXPLAINED IN THE OPERATING INSTRUCTIONS.

ASSY P/N 07-260-01
 REPLACES DWG # 07S244-01

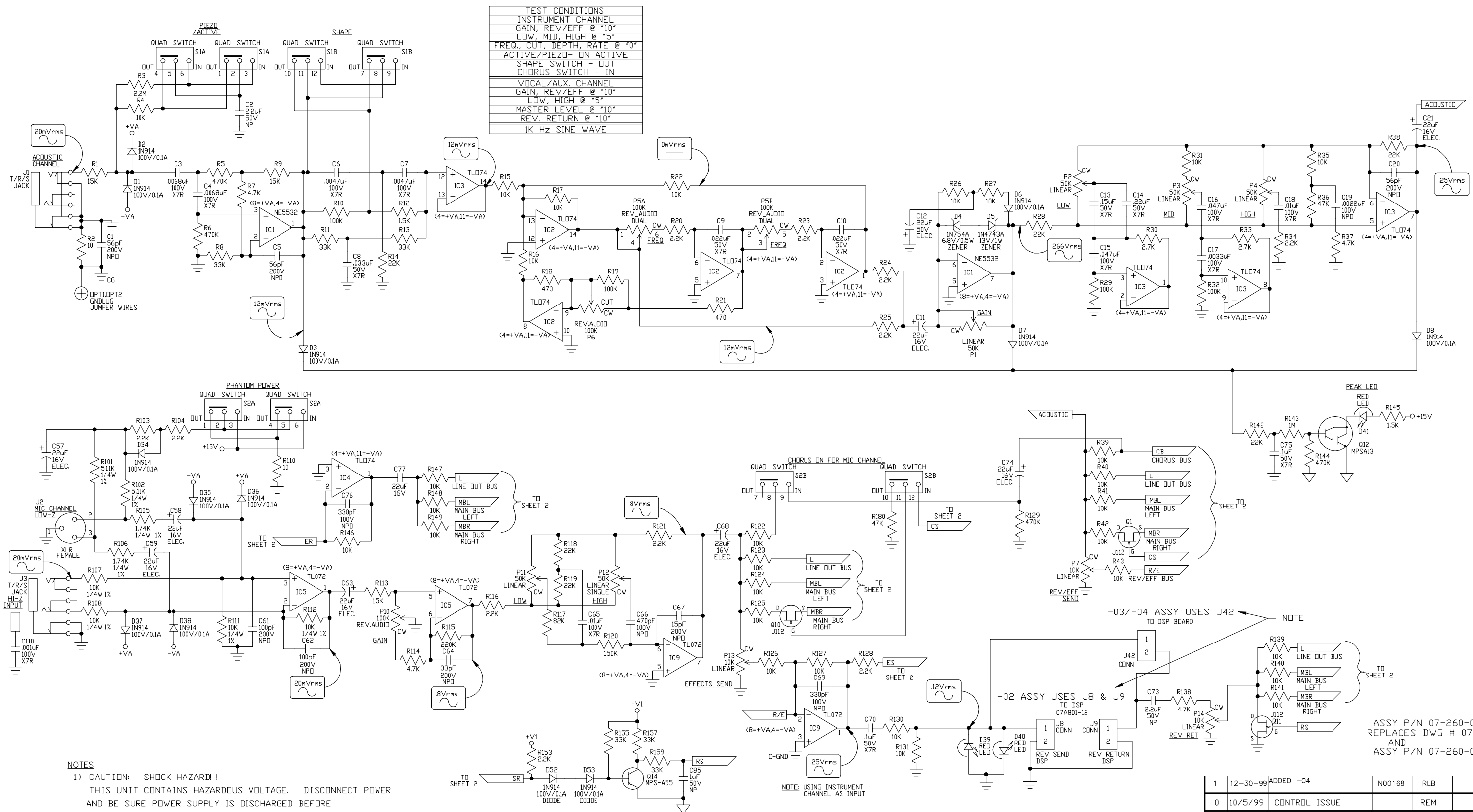
1	12-30-99	ADDED -04	N00168	RLB		
0	10/5/99	CONTROL ISSUE		REM		
A	6/12/99	PRELIM ISSUE		REM		
REV:	DATE:	DESCRIPTION	ECR/ECN NO:	CHNG'D BY:	APPR'D BY:	DATE:
THE INFORMATION CONTAINED ON THIS DRAWING IS PROPRIETARY TO ST. LOUIS MUSIC, INC.						
SIGNATURES:		DATE:	11890 Borman Dr. St. Louis, Missouri 63146			
DRAWN:	REM	6/12/99	FIRST USED ON:			
CHK'D:		6/12/99	CA60a/CA60Da			
RLS'D:			DRAWING TITLE:			
DRAWING SIZE:		D	SCHEMO - ACOUSTIC AMP			
DRAWING TYPE:		SCHEMO	DRAWING NO.:			
CLASS CODE:			07S260-XX			
SCALE:		NONE	SHEET: 1 OF 6			



LAST USED DESIGNATOR
 J44, R181, C108, D55
 FC2, IC16, Q14, P17,
 DC2, JW68

ASSY P/N 07-260-01
 REPLACES DWG # 07S244-01

1	12-30-99	ADDED -04	N00168	RLB	
0	10/5/99	CONTROL ISSUE		REM	
A	6/12/99	PRELIM ISSUE		REM	
REV:	DATE:	DESCRIPTION	ECR/ECN NO:	CHNG'D BY:	APPR'D BY:
THE INFORMATION CONTAINED ON THIS DRAWING IS PROPRIETARY TO ST. LOUIS MUSIC, INC.					
SIGNATURES:		DATE:			
DRAWN:	REM	6/12/99			
CHK'D:		6/12/99		FIRST USED ON:	
RLS'D:				CA60a/CA60Dα	
TOLERANCES:	DRAWING SIZE: D	DRAWING TITLE:		SCHEMO - ACOUSTIC AMP	
	DRAWING TYPE: SCHEMO	DRAWING NO.:		07S260-XX	
	CLASS CODE:	SCALE: NONE		SHEET: 2 OF 6	



TEST CONDITIONS:
 INSTRUMENT CHANNEL
 GAIN, REV/EFF @ "10"
 LOW, MID, HIGH @ "5"
 FREQ, CUT, DEPTH, RATE @ "0"
 ACTIVE/PIEZO - ON ACTIVE
 SHAPE/PIEZO - OUT
 CHORUS SWITCH - IN
 VDCAL/AUX. CHANNEL
 GAIN, REV/EFF @ "10"
 LOW, HIGH @ "5"
 MASTER LEVEL @ "10"
 REV. RETURN @ "10"
 1K HZ SINE WAVE

- NOTES**
- 1) CAUTION: SHOCK HAZARD!! THIS UNIT CONTAINS HAZARDOUS VOLTAGE. DISCONNECT POWER AND BE SURE POWER SUPPLY IS DISCHARGED BEFORE TOUCHING INTERNAL PARTS.
 - 2) UNLESS NOTED, RESISTOR VALUES IN OHMS, 1/4W-5% TOL. CAPACITOR VALUES IN MICROFARADS, 50V-10% TOL.
 - 3) VOLTAGES ARE MEASURED WITH 1 MEGOHM OSCILLOSCOPE AND 10 MEGOHM DIGITAL VOLTMETER.
 - 4) CHASSIS GROUND \equiv SIGNAL GROUND ∇ CIRCUIT GROUND ∇

CAUTION:
 THIS SCHEMATIC IS PROVIDED FOR USE BY QUALIFIED PERSONNEL. TO AVOID RISK OF ELECTRIC SHOCK, REFER SERVICING TO QUALIFIED SERVICE PERSONNEL. DO NOT PERFORM ANY SERVICING BEYOND THAT EXPLAINED IN THE OPERATING INSTRUCTIONS.

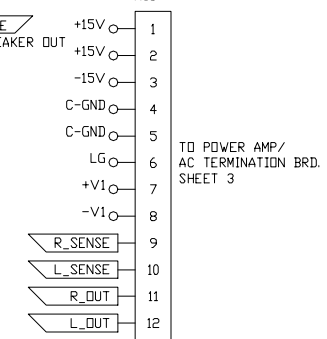
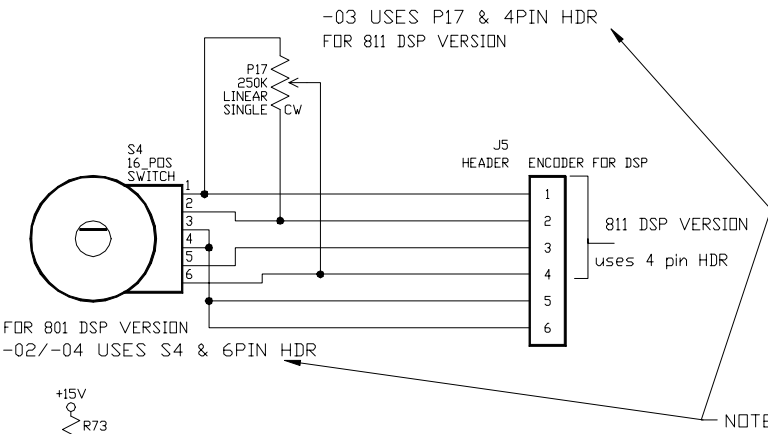
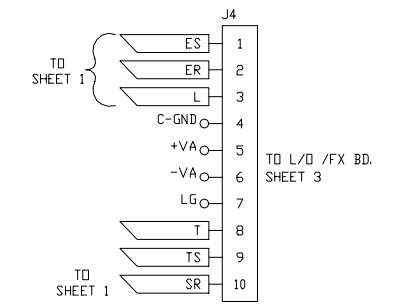
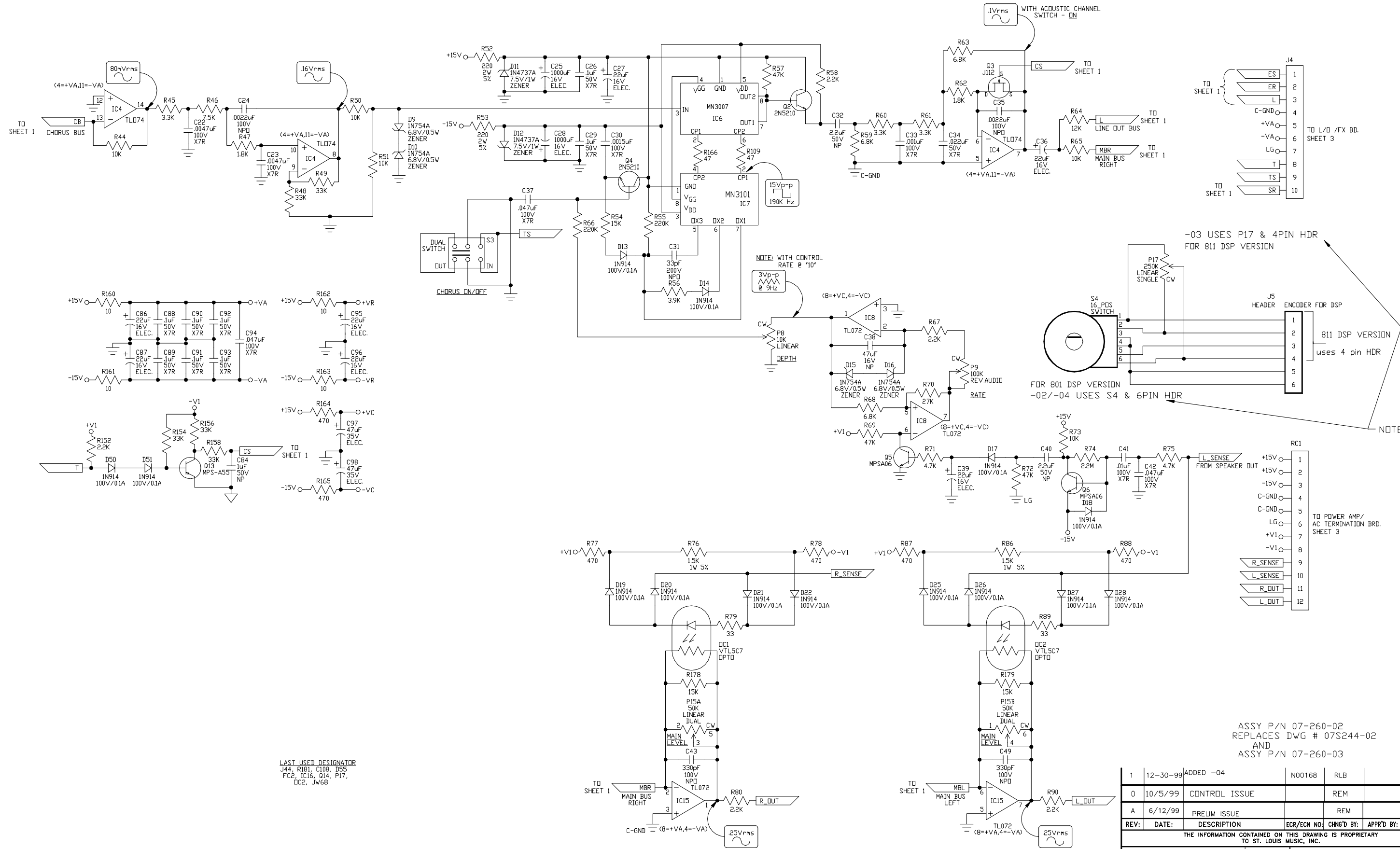
1	12-30-99	ADDED -04	N00168	RLB		
0	10/5/99	CONTROL ISSUE		REM		
A	6/12/99	PRELIM ISSUE		REM		
REV:	DATE:	DESCRIPTION	ECR/ECN NO:	CHNG'D BY:	APPR'D BY:	DATE:
THE INFORMATION CONTAINED ON THIS DRAWING IS PROPRIETARY TO ST. LOUIS MUSIC, INC.						
SIGNATURES:		DATE:		11880 Borman Dr. St. Louis, Missouri 63146		
DRAWN:	REM	6/12/99				
CHK'D:		6/12/99	FIRST USED ON:			
RLS'D:			CA60a/CA60d			
TOLERANCES:	DRAWING SIZE:	D	DRAWING TITLE:			
	DRAWING TYPE:	SCHEMO	SCHEMO - ACOUSTIC AMP			
	CLASS CODE:		DRAWING NO.:			
	SCALE:	NONE	07S260-XX			
	SHEET:	4	OF 6			

ASSY P/N 07-260-02 REPLACES DWG # 07S244-02 AND ASSY P/N 07-260-03/04

-03/-04 ASSY USES J42 TO DSP BOARD

-02 ASSY USES J8 & J9 TO DSP 07A801-12

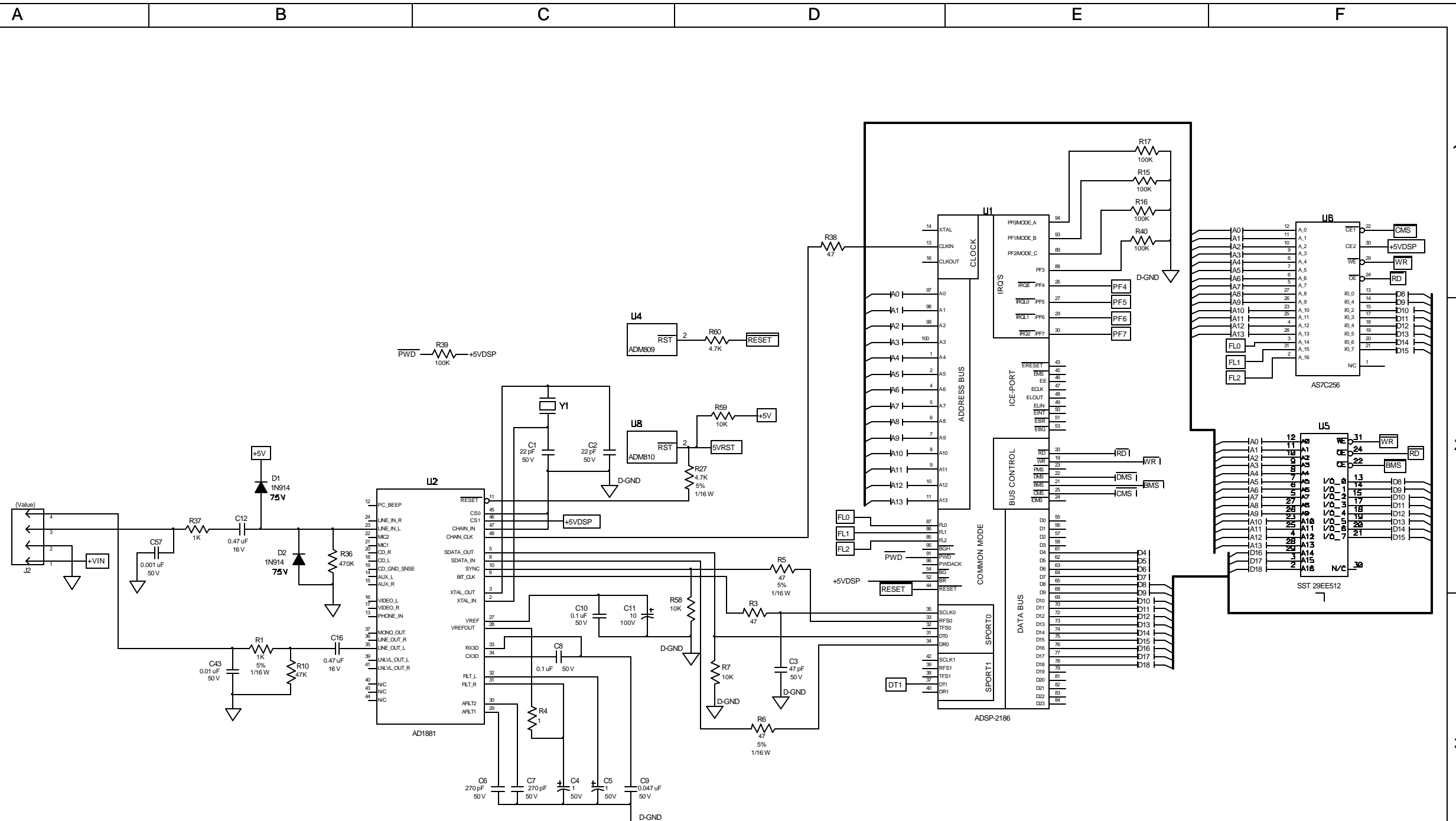
NOTE: USING INSTRUMENT CHANNEL AS INPUT



LAST USED DESIGNATOR
 J44, R181, C108, D55
 FC2, IC16, Q14, P17,
 DC2, JW68

ASSY P/N 07-260-02
 REPLACES DWG # 07S244-02
 AND
 ASSY P/N 07-260-03

1	12-30-99	ADDED -04	N00168	RLB		
0	10/5/99	CONTROL ISSUE		REM		
A	6/12/99	PRELIM ISSUE		REM		
REV:	DATE:	DESCRIPTION	ECR/ECN NO:	CHNG'D BY:	APPR'D BY:	DATE:
THE INFORMATION CONTAINED ON THIS DRAWING IS PROPRIETARY TO ST. LOUIS MUSIC, INC.						
SIGNATURES:		DATE:				
DRAWN: REM		6/12/99				
CHK'D:		6/12/99	FIRST USED ON: CA60a/CA60d			
RLS'D:						
DRAWING SIZE: D		DRAWING TITLE: SCHEMO - ACOUSTIC AMP				
DRAWING TYPE: SCHEMO		DRAWING NO.: 07S260-XX				
CLASS CODE:						
SCALE: NONE		SHEET: 5 OF 6				



SHEET 1 AND 2 REPRESENT -01 AND -07

CAUTION:
THIS SCHEMATIC IS PROVIDED FOR USE BY QUALIFIED PERSONNEL.
TO AVOID RISK OF ELECTRIC SHOCK, REFER SERVICING TO QUALIFIED
SERVICE PERSONNEL. DO NOT PERFORM ANY SERVICING BEYOND
THAT EXPLAINED IN THE OPERATING INSTRUCTIONS.

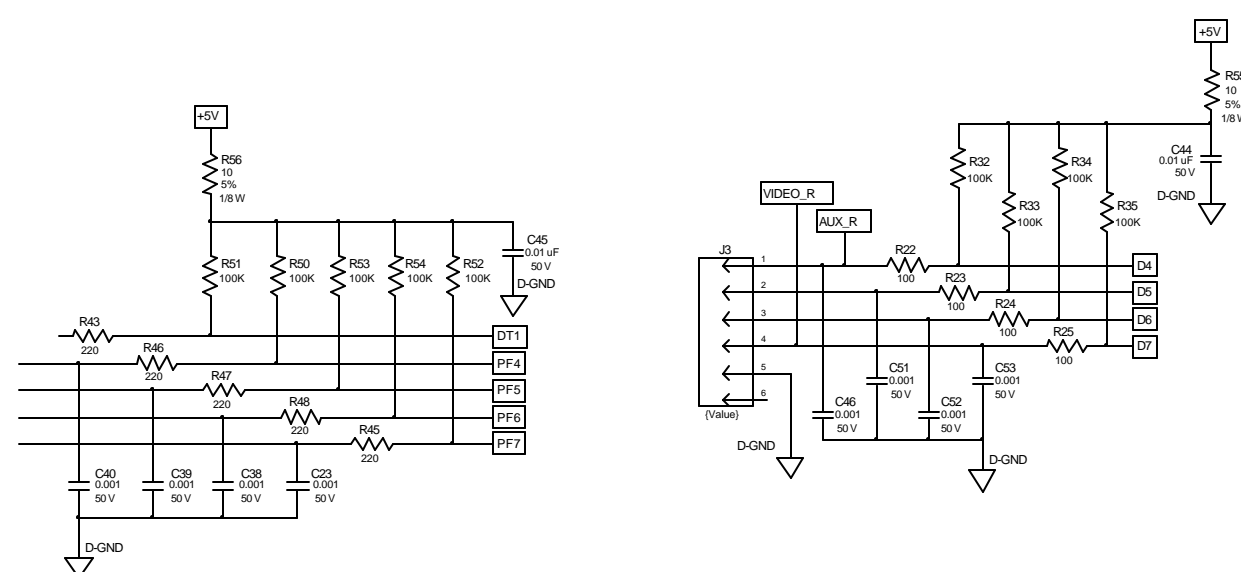
- NOTES:
- 1) CAUTION: SHOCK HAZARD!!
THIS UNIT CONTAINS HAZARDOUS VOLTAGE. DISCONNECT POWER
AND BE SURE POWER SUPPLY IS DISCHARGED BEFORE
TOUCHING INTERNAL PARTS.
 - 2) UNLESS NOTED, RESISTOR VALUES IN OHMS, 1/4W-5% TOL.
CAPACITOR VALUES IN MICROFARADS, 50V-10% TOL.
 - 3) VOLTAGES ARE MEASURED WITH 1 MEGOHM OSCILLOSCOPE
AND 10 MEGOHM DIGITAL VOLTMETER.

Ref Des	Device (Type)	Package	+5VA/D	+5VRS1	+5VDS1	+5V	D-GND
U1	37518 001	TOPP 100	15	18	36	59	87 90
U2	37588 101	ST-48	25	38	1	9	3 12 17 28 41 60 86
U4	37518 103	SOT-23	3				71 80 92
U5	37001 01	32PLCC				1 32	16
U6	37587 201	SQJ 32.3				32	16
U8	37518 102	SOT-23				3	1

1	9-29-00	ADDED DASH -10,-12 & -14	D000717	RLB		
0	4-28-00	CONTROL ISSUE		RLB		
A		INITIAL ISSUE				
REV	Date	DESCRIPTION	Ecr(s)/Ecn(s)	Chgd By	Appvd by	Date
THE INFORMATION CONTAINED ON THIS DRAWING IS PROPRIETARY TO ST. LOUIS MUSIC, INC.						
Signatures:			Date:		 11880 Borman Drive, St. Louis, MO 63146	
Drawn: RLB			10-5-99			
Checked:			First Used On:			
Released:						
Plot Date: Fri Sep 29, 2000		Drawing Size: C		Drawing Title: DSP EFFECTS BD		
Plot Time: 1:30:12 PM		Drawing Type: Schematic		Drawing Number: 07S886-XX		
Tolerance:		Class Code: NONE		Sheet 1 of 12		

A B C D E F

1

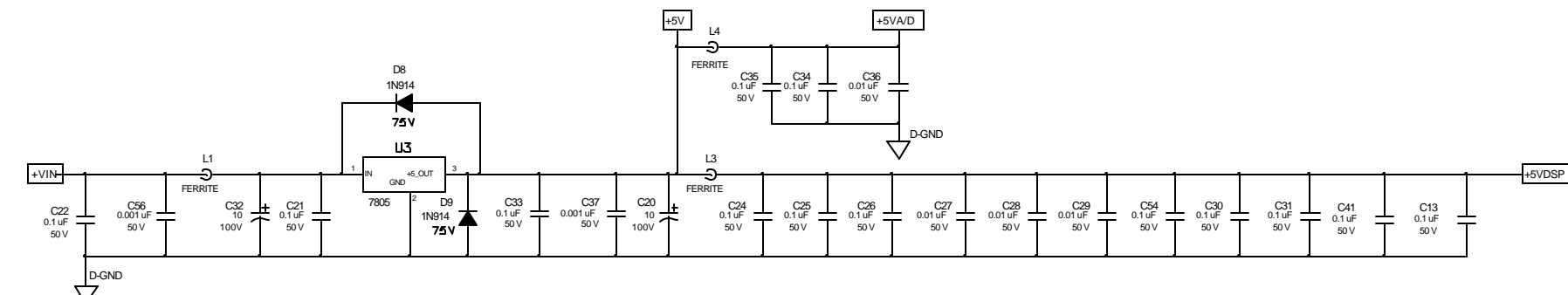


1

2

2

3




3

SHEET 1 AND 2 REPRESENT -01 AND -07

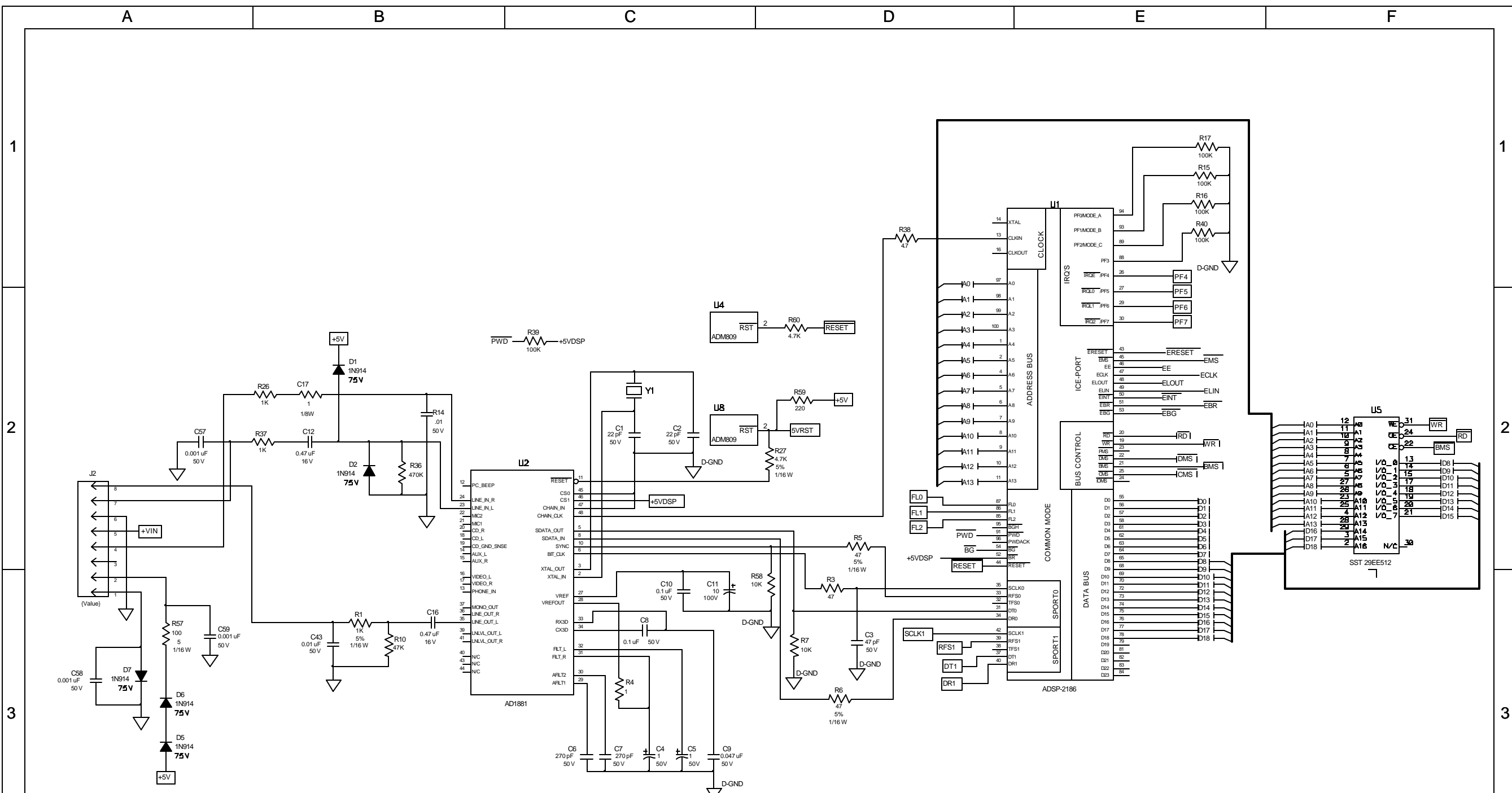
CAUTION:
THIS SCHEMATIC IS PROVIDED FOR USE BY QUALIFIED PERSONNEL. TO AVOID RISK OF ELECTRIC SHOCK, REFER SERVICING TO QUALIFIED SERVICE PERSONNEL. DO NOT PERFORM ANY SERVICING BEYOND THAT EXPLAINED IN THE OPERATING INSTRUCTIONS.

NOTES:
1) CAUTION: SHOCK HAZARD!! THIS UNIT CONTAINS HAZARDOUS VOLTAGE. DISCONNECT POWER AND BE SURE POWER SUPPLY IS DISCHARGED BEFORE TOUCHING INTERNAL PARTS.
2) UNLESS NOTED, RESISTOR VALUES IN OHMS, 1/4W-5% TOL. CAPACITOR VALUES IN MICROFARADS, 50V-10% TOL.
3) VOLTAGES ARE MEASURED WITH 1 MEGOHM OSCILLOSCOPE AND 10 MEGOHM DIGITAL VOLTMETER.

1	9-29-00	ADDED DASH -10,-12 & -14	D000717	RLB		
0	4-28-00	CONTROL ISSUE		RLB		
A		INITIAL ISSUE				
REV	Date	DESCRIPTION	Ecr(s)/Ecn(s)	Chgd By	Appvd by	Date
THE INFORMATION CONTAINED ON THIS DRAWING IS PROPRIETARY TO ST. LOUIS MUSIC, INC.						
Signatures:			Date:		 11880 Borman Drive, St. Louis, MO 63146	
Drawn: RLB			10-5-99			
Checked:			Released:		First Used On:	
Plot Date: Fit Sep 29, 2000		Drawing Size: C		Drawing Title: DSP EFFECTS BD		
Plot Time: 1:20:28		Drawing Type: Schematic		Drawing Number: 07S886-XX		
Tolerance:		Class Code: NONE		Sheet 2 of 12		

4

A B C D E F



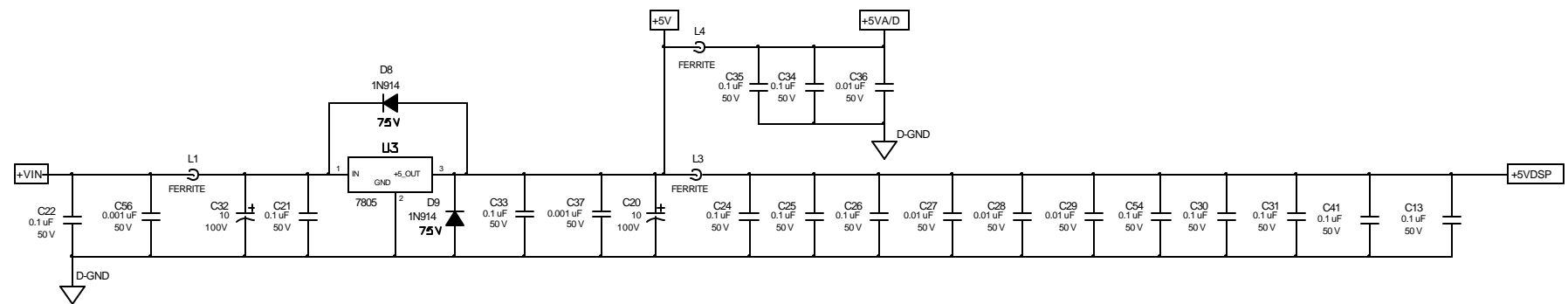
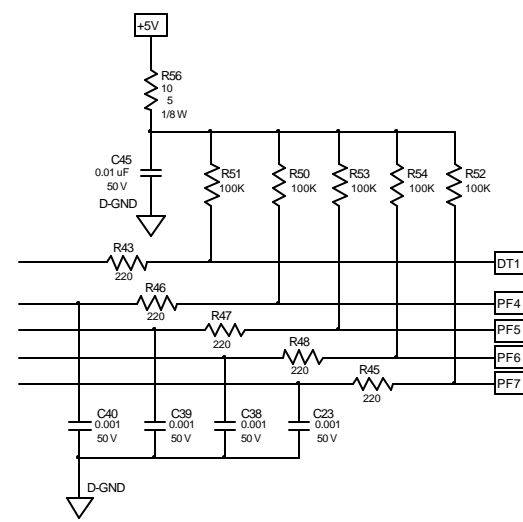
SHEET 3 AND 4 REPRESENT -02, -03, -04 AND -08

CAUTION:
THIS SCHEMATIC IS PROVIDED FOR USE BY QUALIFIED PERSONNEL. TO AVOID RISK OF ELECTRIC SHOCK, REFER SERVICING TO QUALIFIED SERVICE PERSONNEL. DO NOT PERFORM ANY SERVICING BEYOND THAT EXPLAINED IN THE OPERATING INSTRUCTIONS.

- NOTES:**
- 1) CAUTION: SHOCK HAZARD!! THIS UNIT CONTAINS HAZARDOUS VOLTAGE. DISCONNECT POWER AND BE SURE POWER SUPPLY IS DISCHARGED BEFORE TOUCHING INTERNAL PARTS.
 - 2) UNLESS NOTED, RESISTOR VALUES IN OHMS, 1/4W-5% TOL. CAPACITOR VALUES IN MICROFARADS, 50V-10% TOL.
 - 3) VOLTAGES ARE MEASURED WITH 1 MEGOHM OSCILLOSCOPE AND 10 MEGOHM DIGITAL VOLTMETER.

Ref Des	Device (Type)	Package	+5V/A/D	SVRST	+5V/DSP	+5V	D-GND
U1	37518 601_	TOPP 100	15	18	38	50	67 90 71 80 92
U2	37588 101_	ST-48	25	38	19		47 28 42
U4	37518 103_	SOT-23	3				1
U5	37001 01_32FLOC	32FLOC			1.32		16
U8	37518 103_	SOT-23				3	1

1	9-29-00	ADDED DASH-10, -12 & -14	D000717	RLB		
0	4-28-00	CONTROL ISSUE		RLB		
A		INITIAL ISSUE				
REV	Date	DESCRIPTION	Ecr(s)/Ecrn(s)	Chgd By	Appvd by	Date
THE INFORMATION CONTAINED ON THIS DRAWING IS PROPRIETARY TO ST. LOUIS MUSIC, INC.						
Signatures:		Date:		 11880 Borman Drive, St. Louis, MO 63146		
Drawn: RLB		10-5-99				
Checked:				First Used On:		
Released:						
Plot Date: Fri Sep 29, 2000		Drawing Size: C		Drawing Title: DSP EFFECTS BD		
Plot Time: 13:02:21		Drawing Type: Schematic		Drawing Number: 07S886-XX		
Tolerance:		Class Code: NONE		Sheet 3 of 12		



CAUTION:
 THIS SCHEMATIC IS PROVIDED FOR USE BY QUALIFIED PERSONNEL.
 TO AVOID RISK OF ELECTRIC SHOCK, REFER SERVICING TO QUALIFIED
 SERVICE PERSONNEL. DO NOT PERFORM ANY SERVICING BEYOND
 THAT EXPLAINED IN THE OPERATING INSTRUCTIONS.

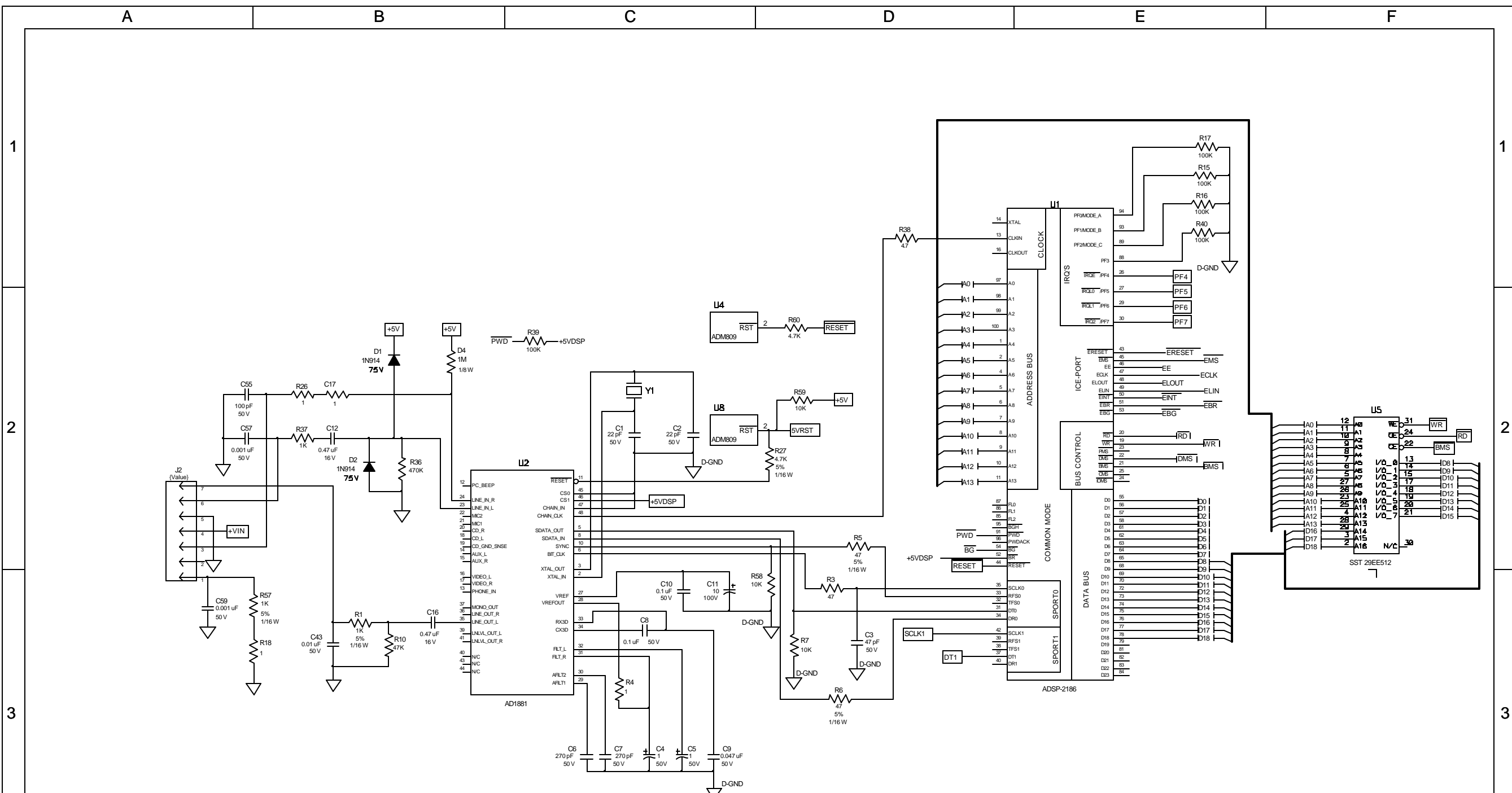
- NOTES:**
- 1) CAUTION: SHOCK HAZARD!!
 THIS UNIT CONTAINS HAZARDOUS VOLTAGE. DISCONNECT POWER
 AND BE SURE POWER SUPPLY IS DISCHARGED BEFORE
 TOUCHING INTERNAL PARTS.
 - 2) UNLESS NOTED, RESISTOR VALUES IN OHMS, 1/4W-5% TOL.
 CAPACITOR VALUES IN MICROFARADS, 50V-10% TOL.
 - 3) VOLTAGES ARE MEASURED WITH 1 MEGOHM OSCILLOSCOPE
 AND 10 MEGOHM DIGITAL VOLTMETER.

SHEET 3 AND 4 REPRESENT -02, -03, -04 AND -08

REV	Date	DESCRIPTION	Ecr(s)/Ecrn(s)	Chgd By	Appvd by	Date
1	9-29-00	ADDED DASH-10, -12 & -14		RLB		
0	4-28-00	CONTROL ISSUE		RLB		
A		INITIAL ISSUE				

THE INFORMATION CONTAINED ON THIS DRAWING IS PROPRIETARY TO
ST. LOUIS MUSIC, INC.

Signatures:		Date:	 11880 Borman Drive, St. Louis, MO 63146
Drawn:	RLB	10-5-99	
Checked:			First Used On:
Released:			
Plot Date: Fri Sep 29, 2000	Drawing Size: C	Drawing Title: DSP EFFECTS BD	
Plot Time: 13:02:28	Drawing Type: Schematic	Drawing Number: 07S886-XX	
Tolerance:	Class Code: NONE	Sheet 4 of 12	



SHEET 5 AND 6 REPRESENT -05, -06 AND -09

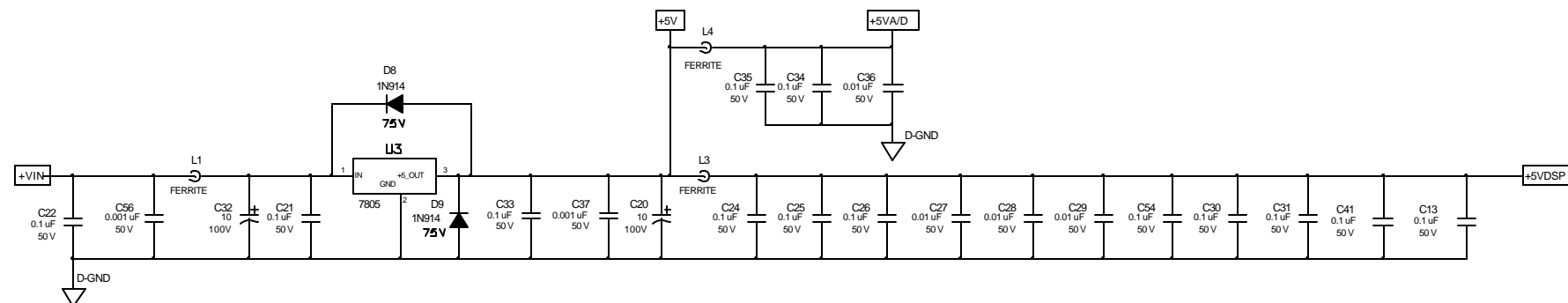
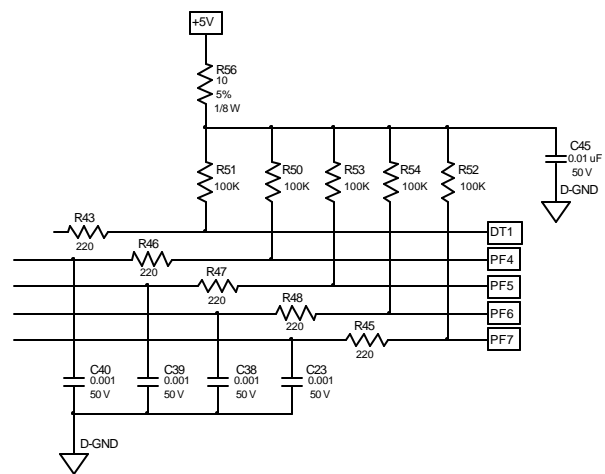
CAUTION:
THIS SCHEMATIC IS PROVIDED FOR USE BY QUALIFIED PERSONNEL.
TO AVOID RISK OF ELECTRIC SHOCK, REFER SERVICING TO QUALIFIED
SERVICE PERSONNEL. DO NOT PERFORM ANY SERVICING BEYOND
THAT EXPLAINED IN THE OPERATING INSTRUCTIONS.

- NOTES:**
- 1) CAUTION: SHOCK HAZARD!!
THIS UNIT CONTAINS HAZARDOUS VOLTAGE. DISCONNECT POWER
AND BE SURE POWER SUPPLY IS DISCHARGED BEFORE
TOUCHING INTERNAL PARTS.
 - 2) UNLESS NOTED, RESISTOR VALUES IN OHMS, 1/4W-5% TOL.
CAPACITOR VALUES IN MICROFARADS, 50V-10% TOL.
 - 3) VOLTAGES ARE MEASURED WITH 1 MEGOHM OSCILLOSCOPE
AND 10 MEGOHM DIGITAL VOLTMETER.

Ref Des	Device (Type)	Package	+5VA/D	+5VDSP	+5V	D-GND
U1	37518 001_	TOPP 100	15	18	38	50 67 90
U2	37588 101_	ST-48	25	38	19	3 12 17 28 41 60 86
U4	37518 103_	SOT-23	3		1	47 28 42
U5	37001 01_32FLOC	32FLOC			1.32	16
U8	37518 103_	SOT-23			3	1

1	9-29-00	ADDED DASH-10, -12 & -14	D000717	RLB		
0	4-28-00	CONTROL ISSUE		RLB		
A		INITIAL ISSUE				
REV	Date	DESCRIPTION	Ecr(s)/Ecrn(s)	Chgd By	Appvd by	Date
THE INFORMATION CONTAINED ON THIS DRAWING IS PROPRIETARY TO ST. LOUIS MUSIC, INC.						
Signatures:			Date:		 11880 Borman Drive, St. Louis, MO 63146	
Drawn: RLB			10-5-99			
Checked:			First Used On:			
Released:						
Plot Date: Fri Sep 29, 2000		Drawing Size: C		Drawing Title: DSP EFFECTS BD		
Plot Time: 13:02:58		Drawing Type: Schematic		Drawing Number: 07S886-XX		
Tolerance:		Class Code: NONE		Sheet 5 of 12		

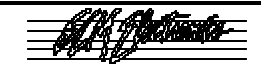
07S886-01B

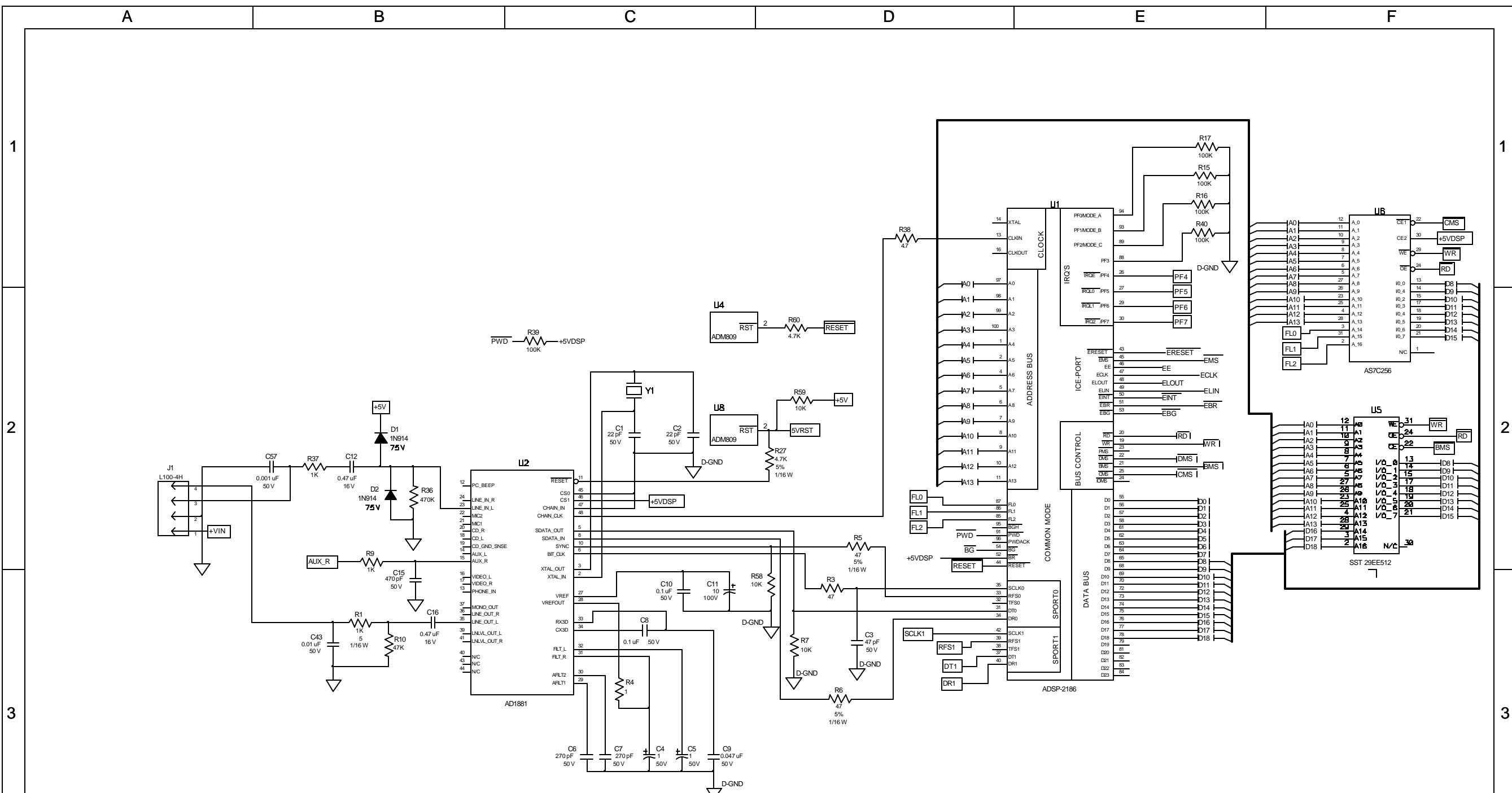


SHEET 5 AND 6 REPRESENT -05, -06 AND -09

CAUTION:
THIS SCHEMATIC IS PROVIDED FOR USE BY QUALIFIED PERSONNEL. TO AVOID RISK OF ELECTRIC SHOCK, REFER SERVICING TO QUALIFIED SERVICE PERSONNEL. DO NOT PERFORM ANY SERVICING BEYOND THAT EXPLAINED IN THE OPERATING INSTRUCTIONS.

- NOTES:**
- 1) CAUTION: SHOCK HAZARD!! THIS UNIT CONTAINS HAZARDOUS VOLTAGE. DISCONNECT POWER AND BE SURE POWER SUPPLY IS DISCHARGED BEFORE TOUCHING INTERNAL PARTS.
 - 2) UNLESS NOTED, RESISTOR VALUES IN OHMS, 1/4W-5% TOL. CAPACITOR VALUES IN MICROFARADS, 50V-10% TOL.
 - 3) VOLTAGES ARE MEASURED WITH 1 MEGOHM OSCILLOSCOPE AND 10 MEGOHM DIGITAL VOLTMETER.

1	9-29-00	ADDED DASH-10, -12 & -14	D000717	RLB		
0	4-28-00	CONTROL ISSUE		RLB		
A		INITIAL ISSUE				
REV	Date	DESCRIPTION	Ecr(s)/Ecn(s)	Chgd By	Appvd by	Date
THE INFORMATION CONTAINED ON THIS DRAWING IS PROPRIETARY TO ST. LOUIS MUSIC, INC.						
Signatures:			Date:		 11880 Borman Drive, St. Louis, MO 63146	
Drawn: RLB			10-5-99			
Checked:					First Used On:	
Released:						
Plot Date: Fri Sep 29, 2000		Drawing Size: C		Drawing Title: DSP EFFECTS BD		
Plot Time: 13:02:57		Drawing Type: Schematic		Drawing Number: 07S886-XX		
Tolerance:		Class Code: NONE		Sheet 6 of 12		



SHEET 7 AND 8 REPRESENT -10

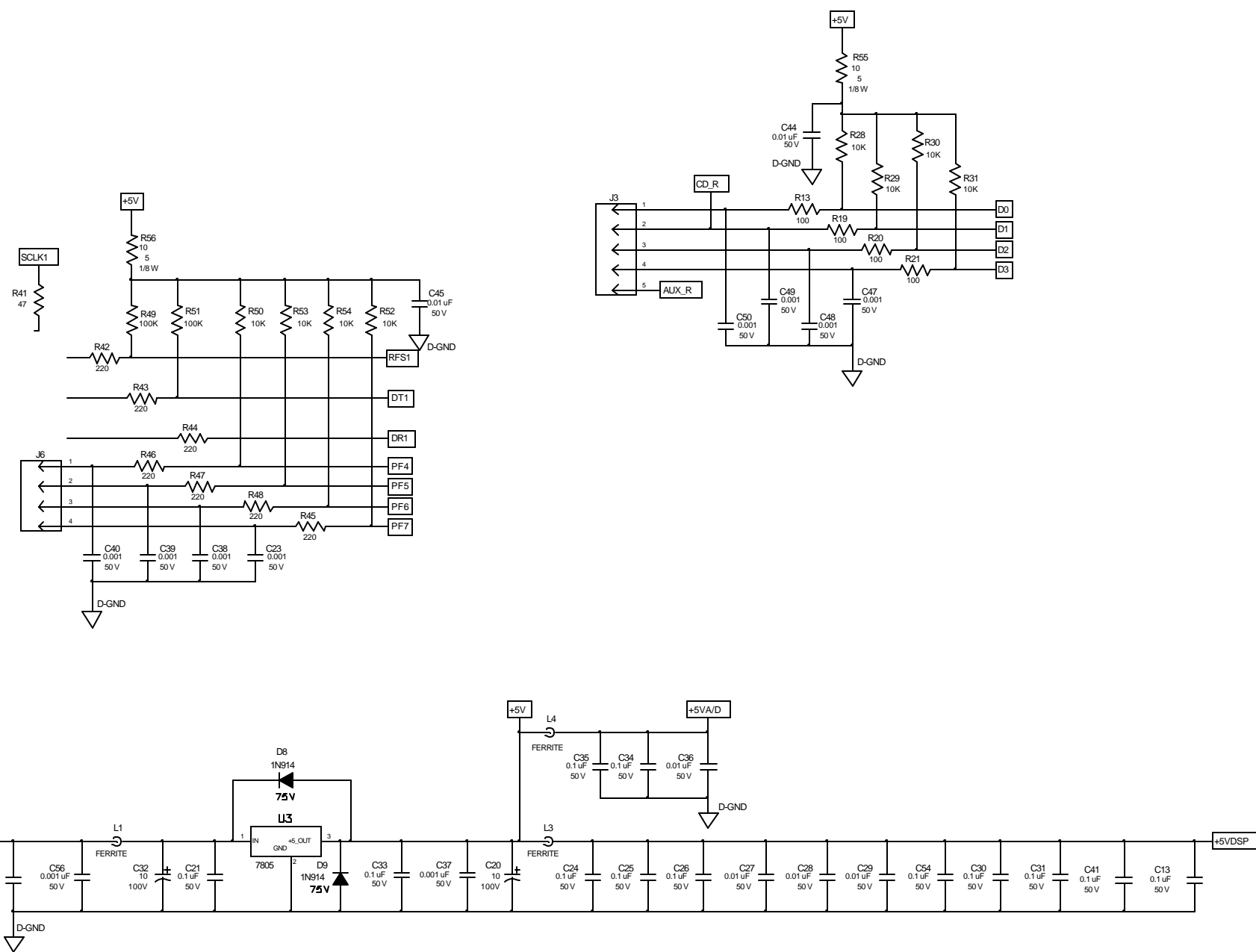
CAUTION:
THIS SCHEMATIC IS PROVIDED FOR USE BY QUALIFIED PERSONNEL.
TO AVOID RISK OF ELECTRIC SHOCK, REFER SERVICING TO QUALIFIED
SERVICE PERSONNEL. DO NOT PERFORM ANY SERVICING BEYOND
THAT EXPLAINED IN THE OPERATING INSTRUCTIONS.

- NOTES:
- 1) CAUTION: SHOCK HAZARD!!
THIS UNIT CONTAINS HAZARDOUS VOLTAGE. DISCONNECT POWER
AND BE SURE POWER SUPPLY IS DISCHARGED BEFORE
TOUCHING INTERNAL PARTS.
 - 2) UNLESS NOTED, RESISTOR VALUES IN OHMS, 1/4W-5% TOL.
CAPACITOR VALUES IN MICROFARADS, 50V-10% TOL.
 - 3) VOLTAGES ARE MEASURED WITH 1 MEGOHM OSCILLOSCOPE
AND 10 MEGOHM DIGITAL VOLTMETER.

Ref Des	Device (Type)	Package	+5VA/D	+5V/D	+5V	D-GND
U1	37518 001	TOPP 100	15	18	36	59 67 90
U2	37588 101	ST-48	25	38	19	1 2 17 28 41 60 86
U4	37518 103	SOT-23	3			71 80 92
U5	37001 01	32PLCC			1 32	16
U6	37587 201	SQJ 32.3				16
U8	37518 103	SOT-23			3	1

1	9-29-00	ADDED-10, -12 & -14	D000717	RLB		
REV	Date	DESCRIPTION	Ecr(s)/Ecn(s)	Chgd By	Appvd by	Date
THE INFORMATION CONTAINED ON THIS DRAWING IS PROPRIETARY TO ST. LOUIS MUSIC, INC.						
Signatures:			Date:		 11880 Borman Drive, St. Louis, MO 63146	
Drawn: RLB			10-5-99			
Checked:			First Used On:			
Released:						
Plot Date: Fri Sep 29, 2000		Drawing Size: C		Drawing Title: DSP EFFECTS BD		
Plot Time: 1:30:31		Drawing Type: Schematic		Drawing Number: 07S886-XX		
Tolerance:		Class Code: NONE		Sheet 7 of 12		

068886-01B



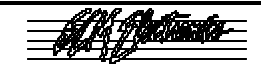
SHEET 7 AND 8 REPRESENT -10

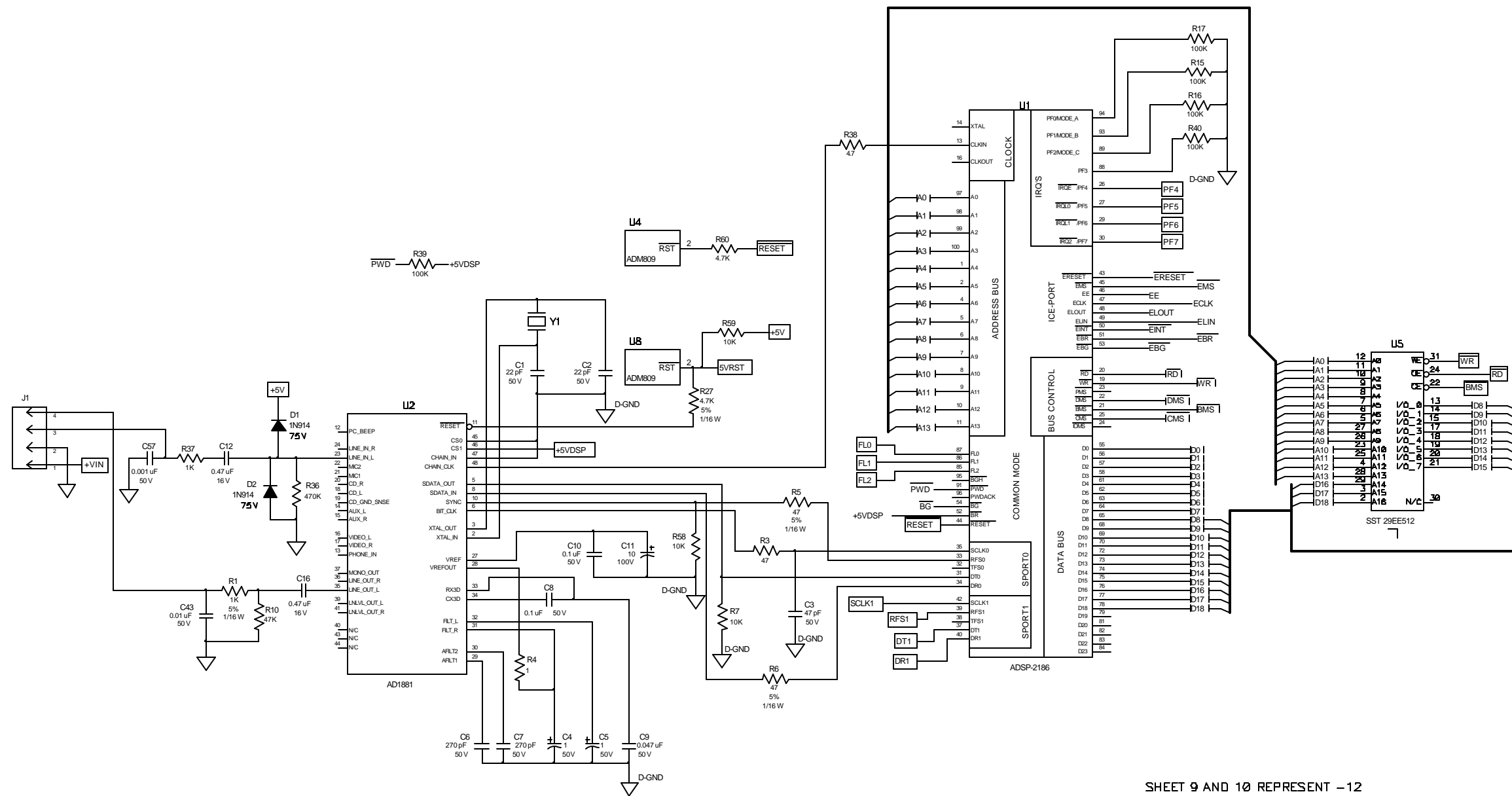
CAUTION:
THIS SCHEMATIC IS PROVIDED FOR USE BY QUALIFIED PERSONNEL. TO AVOID RISK OF ELECTRIC SHOCK, REFER SERVICING TO QUALIFIED SERVICE PERSONNEL. DO NOT PERFORM ANY SERVICING BEYOND THAT EXPLAINED IN THE OPERATING INSTRUCTIONS.

- NOTES:**
- 1) CAUTION: SHOCK HAZARD!! THIS UNIT CONTAINS HAZARDOUS VOLTAGE. DISCONNECT POWER AND BE SURE POWER SUPPLY IS DISCHARGED BEFORE TOUCHING INTERNAL PARTS.
 - 2) UNLESS NOTED, RESISTOR VALUES IN OHMS, 1/4W-5% TOL. CAPACITOR VALUES IN MICROFARADS, 50V-10% TOL.
 - 3) VOLTAGES ARE MEASURED WITH 1 MEGOHM OSCILLOSCOPE AND 10 MEGOHM DIGITAL VOLTMETER.

REV	Date	DESCRIPTION	Ecr(s)/Ecn(s)	Chgd By	Appvd by	Date
1	9-29-00	ADDED -10, -12 & -14	D000717	RLB		

THE INFORMATION CONTAINED ON THIS DRAWING IS PROPRIETARY TO ST. LOUIS MUSIC, INC.

Signatures:		Date:	 11880 Borman Drive, St. Louis, MO 63146
Drawn:	RLB	10-5-99	
Checked:			First Used On:
Released:			
Plot Date: Fri Sep 29, 2000	Drawing Size: C	Drawing Title: DSP EFFECTS BD	
Plot Time: 1:30:33	Drawing Type: Schematic	Drawing Number: 07S886-XX	
Tolerance:	Class Code: NONE	Sheet 8 of 12	



SHEET 9 AND 10 REPRESENT -12

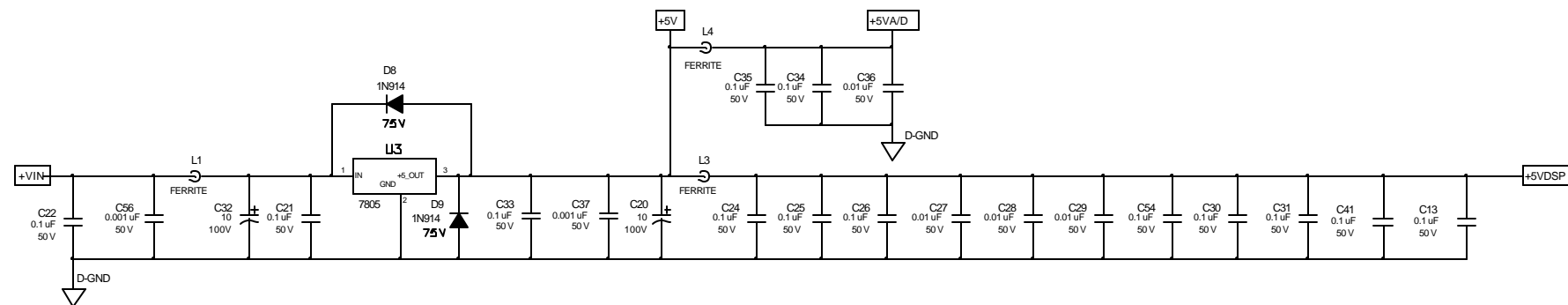
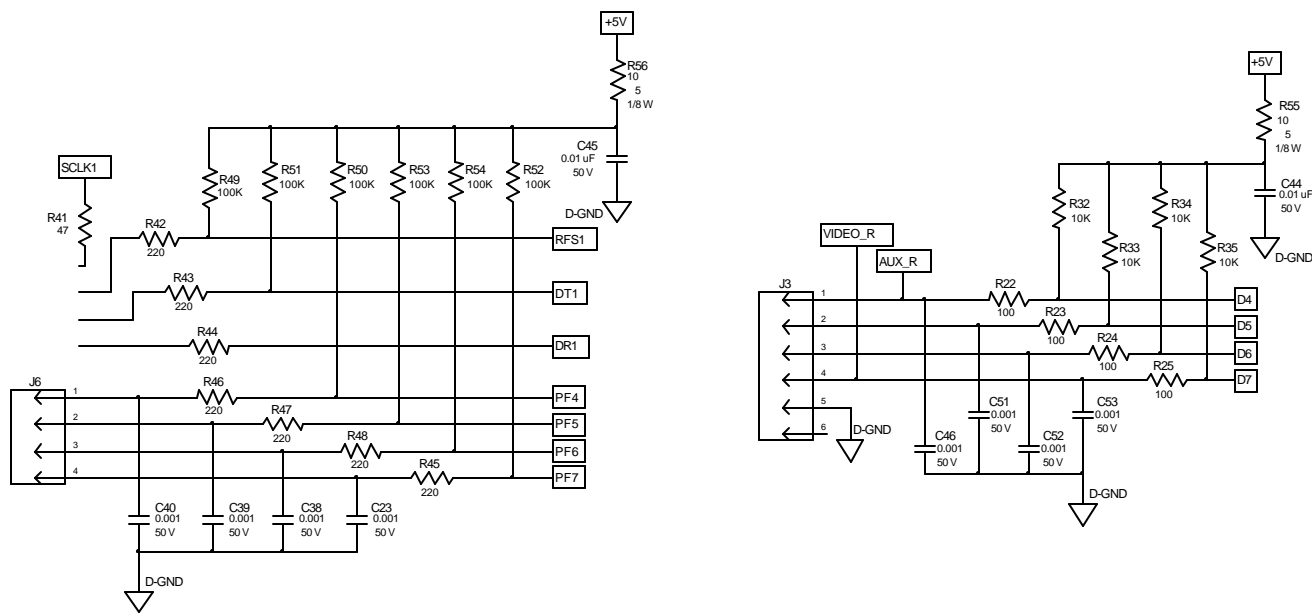
CAUTION:
THIS SCHEMATIC IS PROVIDED FOR USE BY QUALIFIED PERSONNEL.
TO AVOID RISK OF ELECTRIC SHOCK, REFER SERVICING TO QUALIFIED
SERVICE PERSONNEL. DO NOT PERFORM ANY SERVICING BEYOND
THAT EXPLAINED IN THE OPERATING INSTRUCTIONS.

- NOTES:**
- 1) CAUTION: SHOCK HAZARD!!
THIS UNIT CONTAINS HAZARDOUS VOLTAGE. DISCONNECT POWER
AND BE SURE POWER SUPPLY IS DISCHARGED BEFORE
TOUCHING INTERNAL PARTS.
 - 2) UNLESS NOTED, RESISTOR VALUES IN OHMS, 1/4W-5% TOL.
CAPACITOR VALUES IN MICROFARADS, 50V-10% TOL.
 - 3) VOLTAGES ARE MEASURED WITH 1 MEGOHM OSCILLOSCOPE
AND 10 MEGOHM DIGITAL VOLTMETER.

Ref Des	Device (Type)	Package	+5V/A/D	SVRST	+5VDSP	+5V	D-GND
U1	37518 601	TOPP 100	15	18	38	50	67 90
U2	37588 101	ST-48	25	38	19		47 28 42
U4	37518 103	SOT-23	3				1
U5	37201 01	32FLCC			1		16
U8	37518 103	SOT-23			3		1

1	9-29-00	ADDED DASH-10, -12 & -14	D000717	RLB		
REV	Date	DESCRIPTION	Ecr(s)/Ecrn(s)	Chgd By	Appvd by	Date
THE INFORMATION CONTAINED ON THIS DRAWING IS PROPRIETARY TO ST. LOUIS MUSIC, INC.						
Signatures:			Date:		 11880 Borman Drive, St. Louis, MO 63146	
Drawn: RLB			10-5-99			
Checked:			First Used On:			
Released:						
Plot Date: Fri Sep 29, 2000		Drawing Size: C		Drawing Title: DSP EFFECTS BD		
Plot Time: 13:04:21		Drawing Type: Schematic		Drawing Number: 07S886-XX		
Tolerance:		Class Code: NONE		Sheet 9 of 12		


07S886-01B

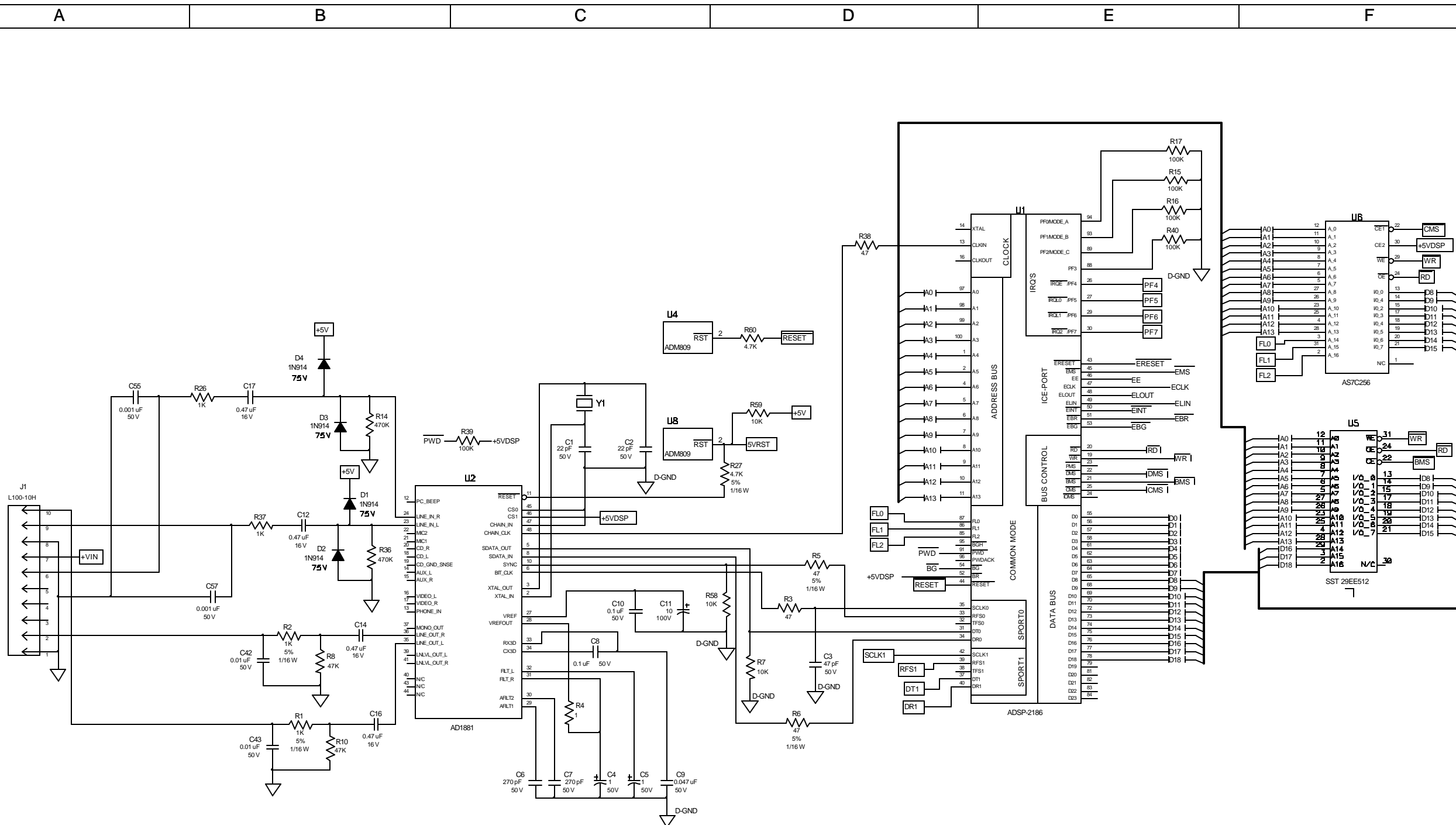


SHEET 9 AND 10 REPRESENT -12

CAUTION:
THIS SCHEMATIC IS PROVIDED FOR USE BY QUALIFIED PERSONNEL. TO AVOID RISK OF ELECTRIC SHOCK, REFER SERVICING TO QUALIFIED SERVICE PERSONNEL. DO NOT PERFORM ANY SERVICING BEYOND THAT EXPLAINED IN THE OPERATING INSTRUCTIONS.

- NOTES:**
- 1) CAUTION: SHOCK HAZARD!! THIS UNIT CONTAINS HAZARDOUS VOLTAGE. DISCONNECT POWER AND BE SURE POWER SUPPLY IS DISCHARGED BEFORE TOUCHING INTERNAL PARTS.
 - 2) UNLESS NOTED, RESISTOR VALUES IN OHMS, 1/4W-5% TOL. CAPACITOR VALUES IN MICROFARADS, 50V-10% TOL.
 - 3) VOLTAGES ARE MEASURED WITH 1 MEGOHM OSCILLOSCOPE AND 10 MEGOHM DIGITAL VOLTMETER.

REV	Date	DESCRIPTION	Ecr(s)/Ecn(s)	Chgd By	Appvd by	Date
1	9-29-00	ADDED DASH-10,-12 & -14		RLB		
THE INFORMATION CONTAINED ON THIS DRAWING IS PROPRIETARY TO ST. LOUIS MUSIC, INC.						
Signatures:			Date:		 11880 Borman Drive, St. Louis, MO 63146	
Drawn: RLB			10-5-99			
Checked:			Released:		First Used On:	
Plot Date: Fri Sep 29, 2000			Drawing Size: C		Drawing Title: DSP EFFECTS BD	
Plot Time: 1:34:23			Drawing Type: Schematic		Drawing Number: 07S886-XX	
Tolerance:			Class Code: NONE		Sheet 10 of 12	

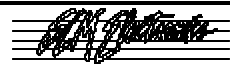


SHEET 11 AND 12 REPRESENT -14

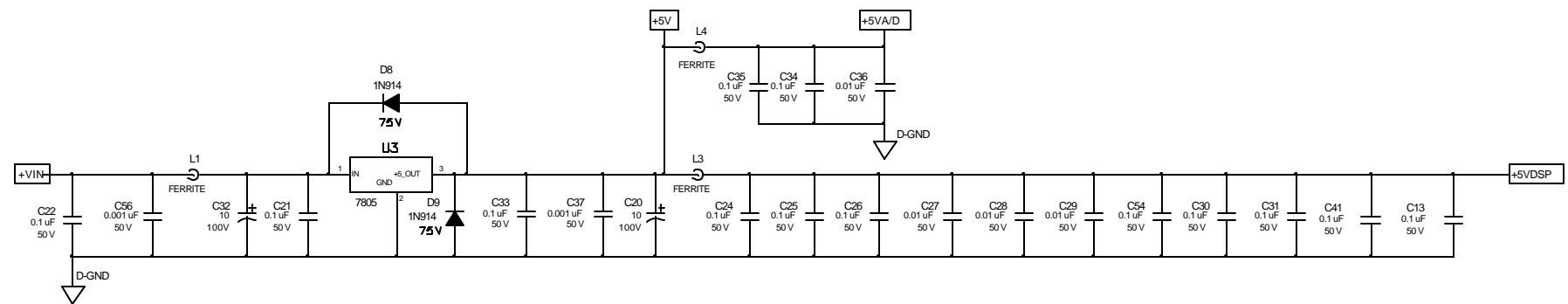
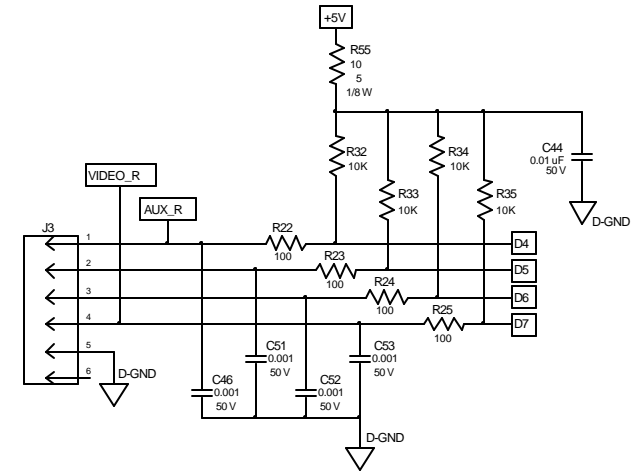
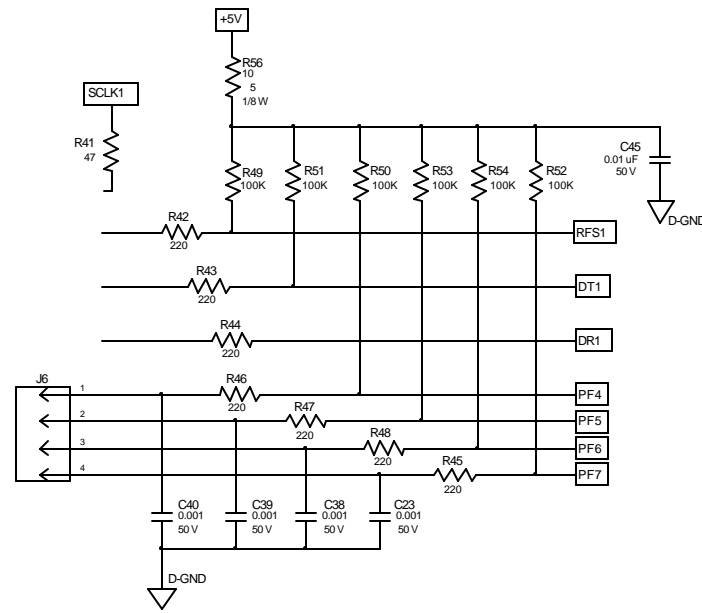
CAUTION:
THIS SCHEMATIC IS PROVIDED FOR USE BY QUALIFIED PERSONNEL.
TO AVOID RISK OF ELECTRIC SHOCK, REFER SERVICING TO QUALIFIED
SERVICE PERSONNEL. DO NOT PERFORM ANY SERVICING BEYOND
THAT EXPLAINED IN THE OPERATING INSTRUCTIONS.

- NOTES:**
- 1) CAUTION: SHOCK HAZARD!!
THIS UNIT CONTAINS HAZARDOUS VOLTAGE. DISCONNECT POWER
AND BE SURE POWER SUPPLY IS DISCHARGED BEFORE
TOUCHING INTERNAL PARTS.
 - 2) UNLESS NOTED, RESISTOR VALUES IN OHMS, 1/4W-5% TOL.
CAPACITOR VALUES IN MICROFARADS, 50V-10% TOL.
 - 3) VOLTAGES ARE MEASURED WITH 1 MEGOHM OSCILLOSCOPE
AND 10 MEGOHM DIGITAL VOLTMETER.

Ref Des	Device (Type)	Package	+5VA/D	+5VRS1	+5VDS1	+5V	D-GND
U1	37518 001	TOPP 100	15	18	36	59	67 90
U2	37588 101	ST-48	25	38			1 9
U4	37518 103	SOT-23					3
U5	37001 01	32-PLCC					1 32
U6	37587 201	SOJ 32-3					32
U8	37518 103	SOT-23					3 1

INITIAL ISSUE						
REV	Date	DESCRIPTION	Ecr(s)/Ecn(s)	Chgd By	Appvd by	Date
THE INFORMATION CONTAINED ON THIS DRAWING IS PROPRIETARY TO ST. LOUIS MUSIC, INC.						
Signatures:			Date:		 11880 Borman Drive, St. Louis, MO 63146	
Drawn: RLB			10-5-99		First Used On:	
Checked:					Released:	
Tolerance:		Drawing Size: C		Drawing Title: DSP EFFECTS BD		
		Drawing Type: Schematic		Drawing Number: 07S886-XX		
		Class Code: NONE		Sheet 11 of 12		

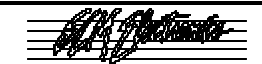
07S886-01B



SHEET 11 AND 12 REPRESENT -14

CAUTION:
THIS SCHEMATIC IS PROVIDED FOR USE BY QUALIFIED PERSONNEL. TO AVOID RISK OF ELECTRIC SHOCK, REFER SERVICING TO QUALIFIED SERVICE PERSONNEL. DO NOT PERFORM ANY SERVICING BEYOND THAT EXPLAINED IN THE OPERATING INSTRUCTIONS.

- NOTES:**
- 1) CAUTION: SHOCK HAZARD!! THIS UNIT CONTAINS HAZARDOUS VOLTAGE. DISCONNECT POWER AND BE SURE POWER SUPPLY IS DISCHARGED BEFORE TOUCHING INTERNAL PARTS.
 - 2) UNLESS NOTED, RESISTOR VALUES IN OHMS, 1/4W-5% TOL. CAPACITOR VALUES IN MICROFARADS, 50V-10% TOL.
 - 3) VOLTAGES ARE MEASURED WITH 1 MEGOHM OSCILLOSCOPE AND 10 MEGOHM DIGITAL VOLTMETER.

A						
REV	Date	DESCRIPTION	Ecr(s)/Ecn(s)	Chgd By	Appvd by	Date
THE INFORMATION CONTAINED ON THIS DRAWING IS PROPRIETARY TO ST. LOUIS MUSIC, INC.						
Signatures:			Date:		 11880 Borman Drive, St. Louis, MO 63146	
Drawn: RLB			10-5-99		First Used On:	
Checked:					Released:	
Tolerance:		Drawing Size: C		Drawing Title: DSP EFFECTS BD		
		Drawing Type: Schematic		Drawing Number: 07S886-XX		
		Class Code: NONE		Sheet 12 of 12		