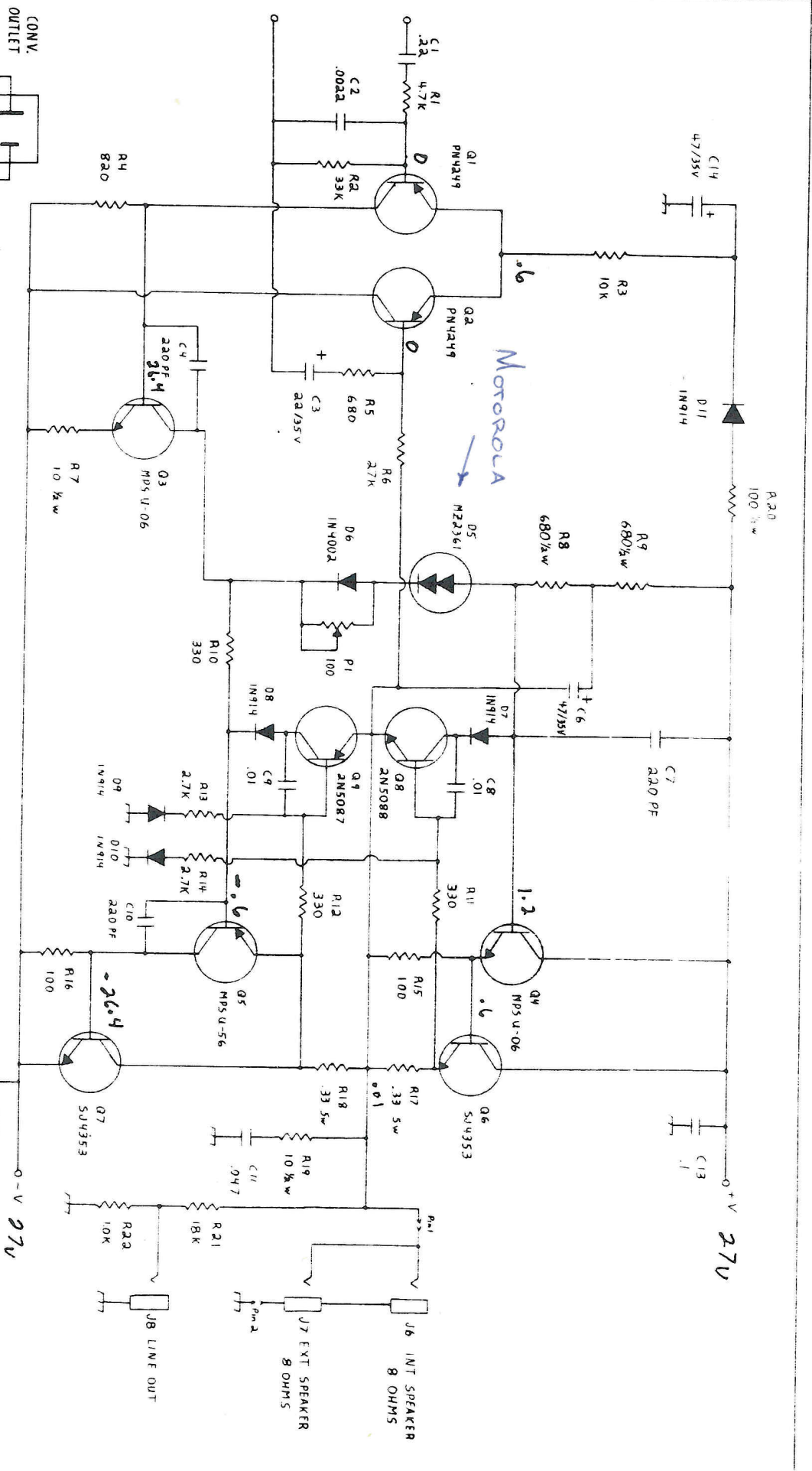


CR45 PREAMP SCHEMATIC

7/31/80

DK# 075450211



MOTOROLA
 → 2N2361

NOTES:
 SJ4353 replaced by 2N3055
 PN4249 replaced by 2N5087
 across R-17. No input,
 no load, cold.

CR45 POWERAMP SCHEMATIC

8/4/80
 REV 12/17/80M
 DWG # 16 045-01

