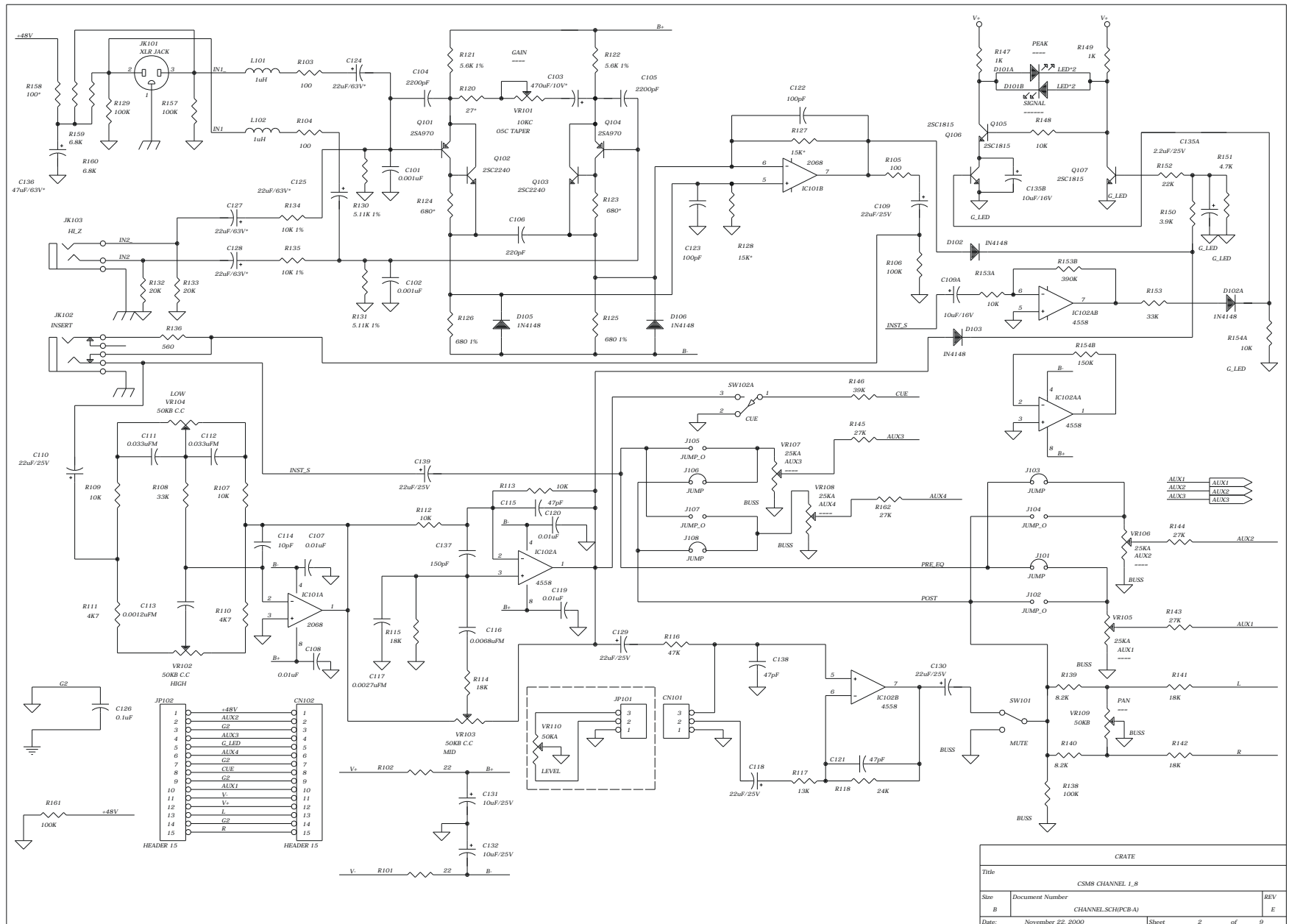
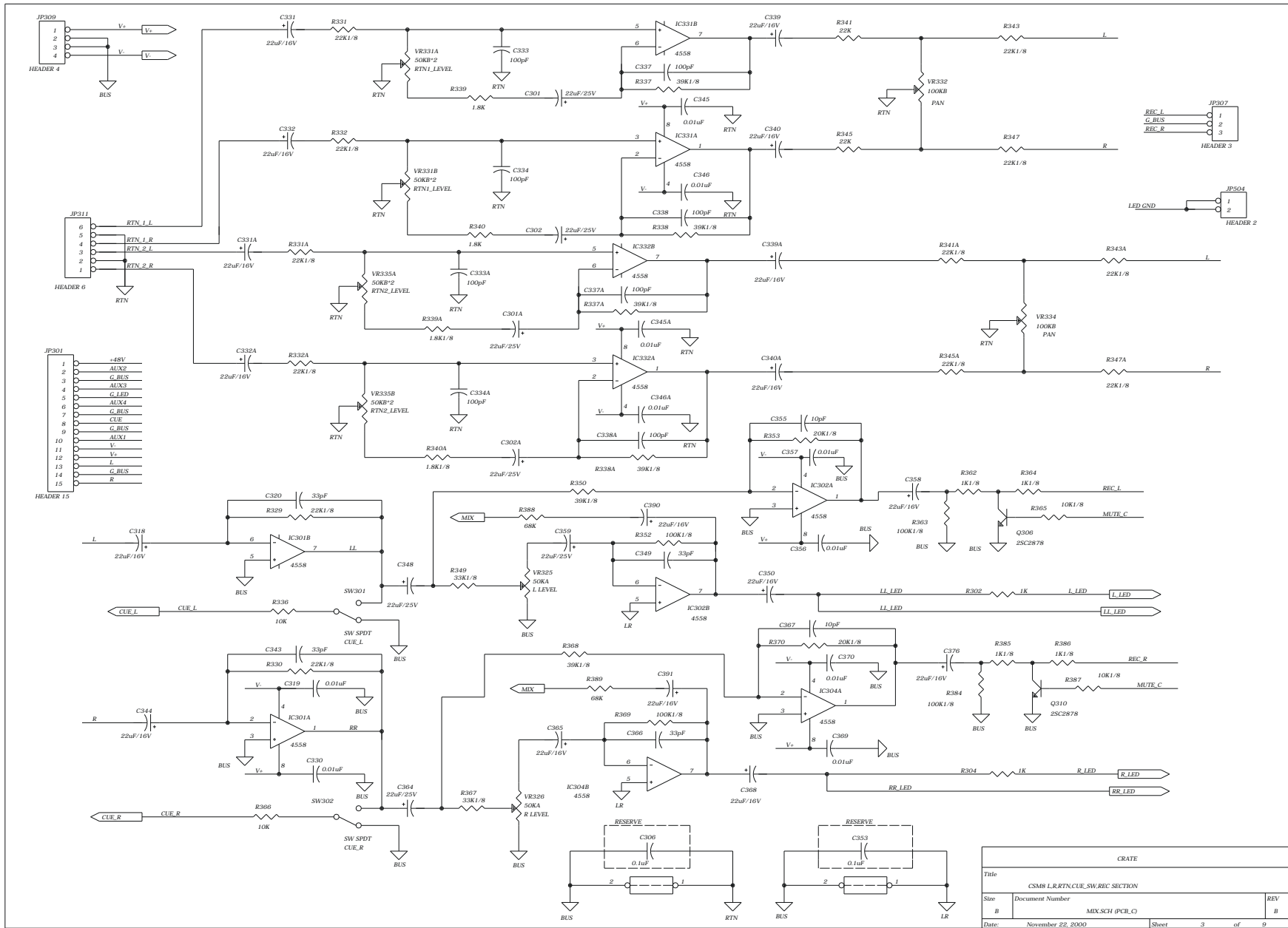


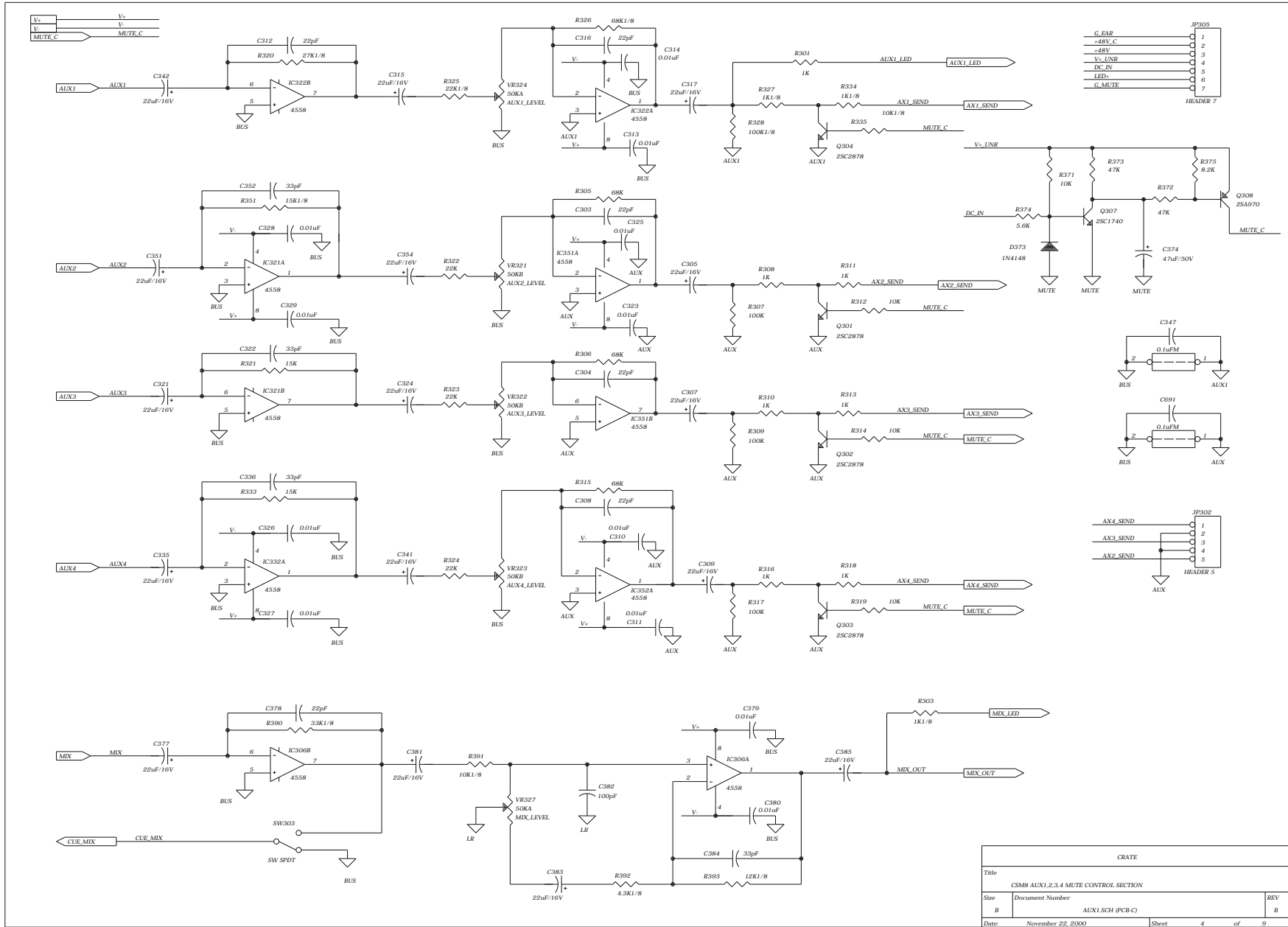
CRATE			
Title:	CSM8 BLOCK DIAGRAM		
No:	Document Number	BLOCK.SCH	REV
Date:	November 28, 2000	Sheet 1	of 8



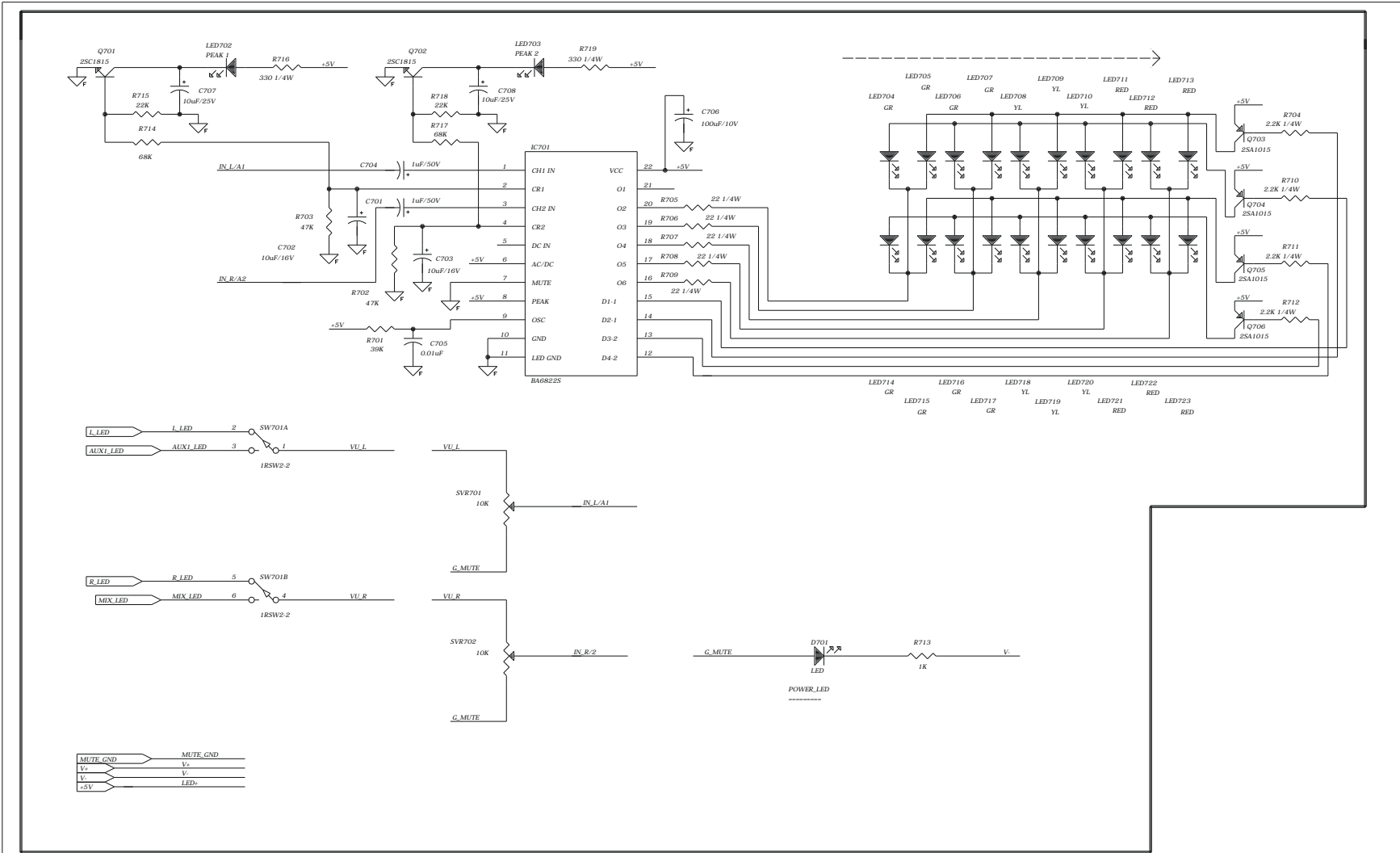
CRATE		
Title CSMB CHANNEL L8		
Size B	Document Number CHANNEL.SCH(PCB.A)	REV E
Date: November 22, 2000	Sheet 2	of 9



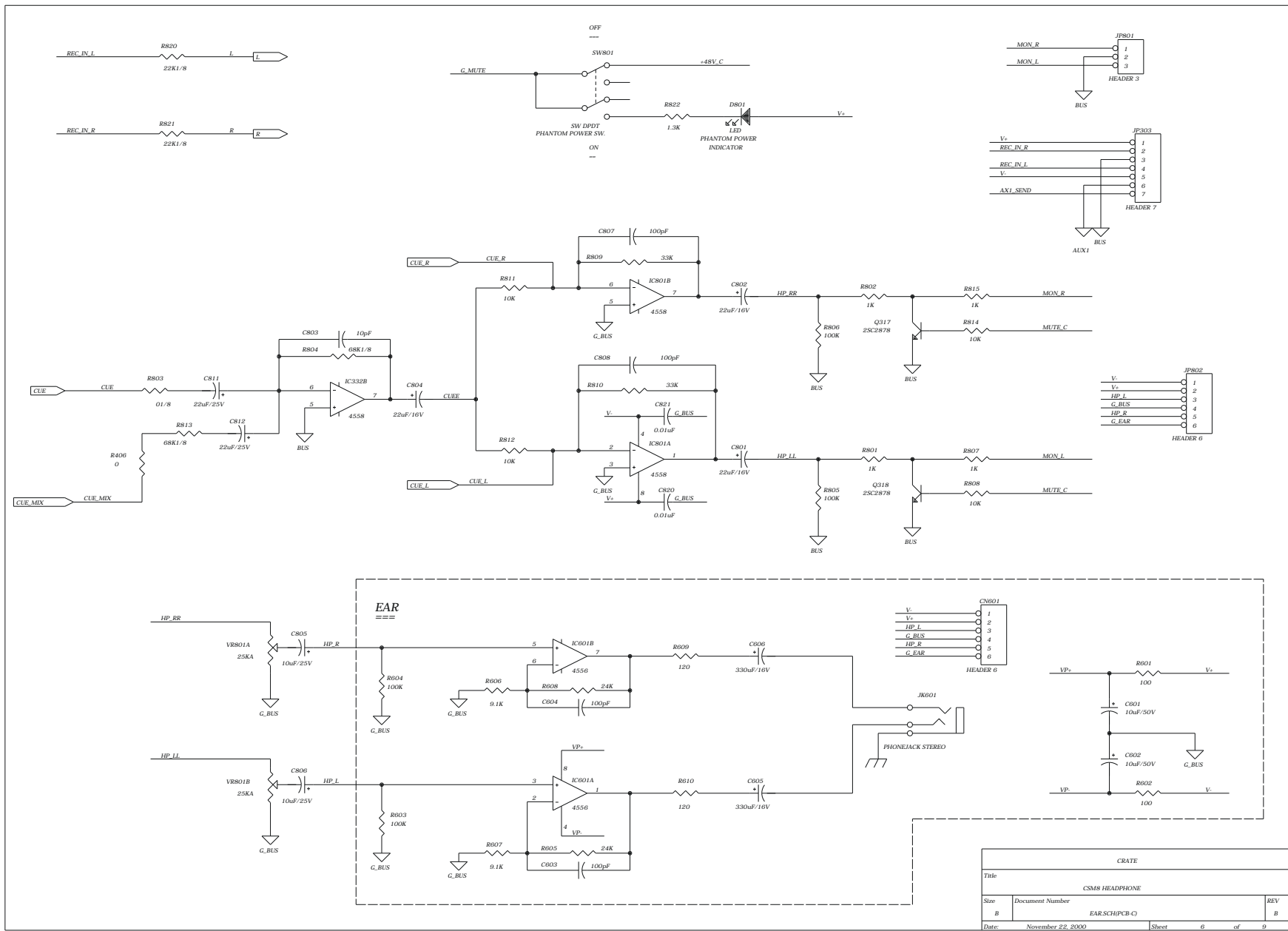
CRATE			
Title	CSM8 L,R,RTN,CUE_SW,REC SECTION		
Size	Document Number		REV
B	MIX SCH (PCR_C)		B
Date:	November 22, 2000	Sheet	3 of 9



CRATE			
Title CSMS AUX1.2.3.4 MUTE CONTROL SECTION			
Size	Document Number		REV
B	AUX1.SCH (PCB-C)		B
Date:	November 22, 2000	Sheet	4 of 9

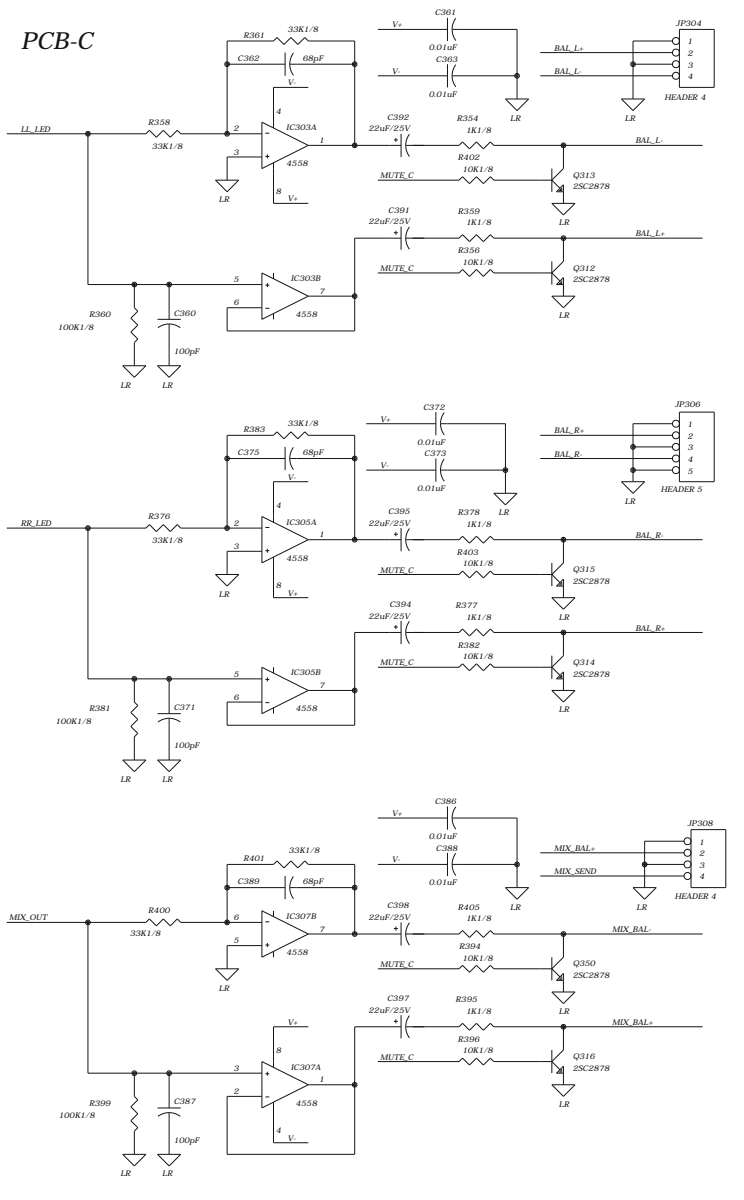


CRATE			
File CSM8 DISPLAY SECTION			
Size	Document Number		REV
B	DISPLAY-SCH (PCB-C)		B
Date:	November 22, 2000	Sheet	5 of 9

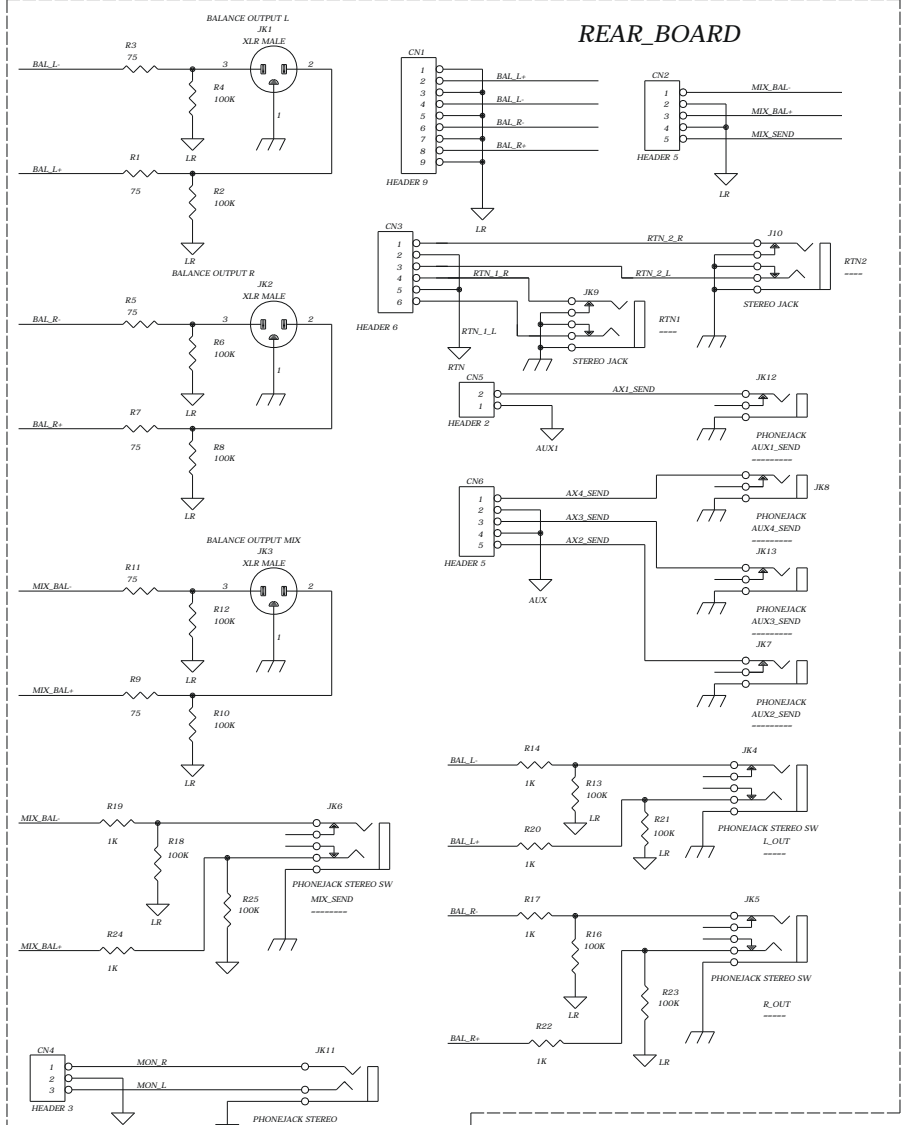


CRATE		
Title		
CSM8 HEADPHONE		
Size	Document Number	REV
B	EAR.SCH(PCB-C)	B
Date:	November 22, 2000	Sheet 6 of 9

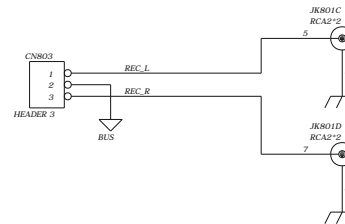
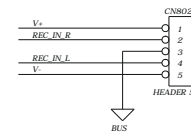
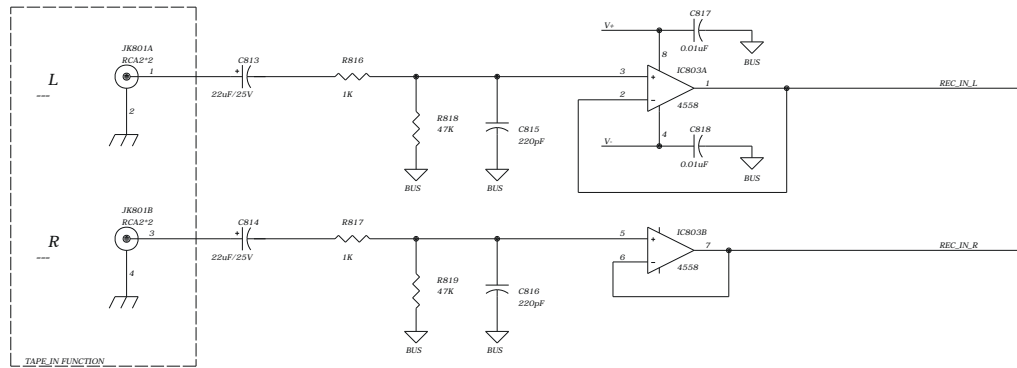
PCB-C



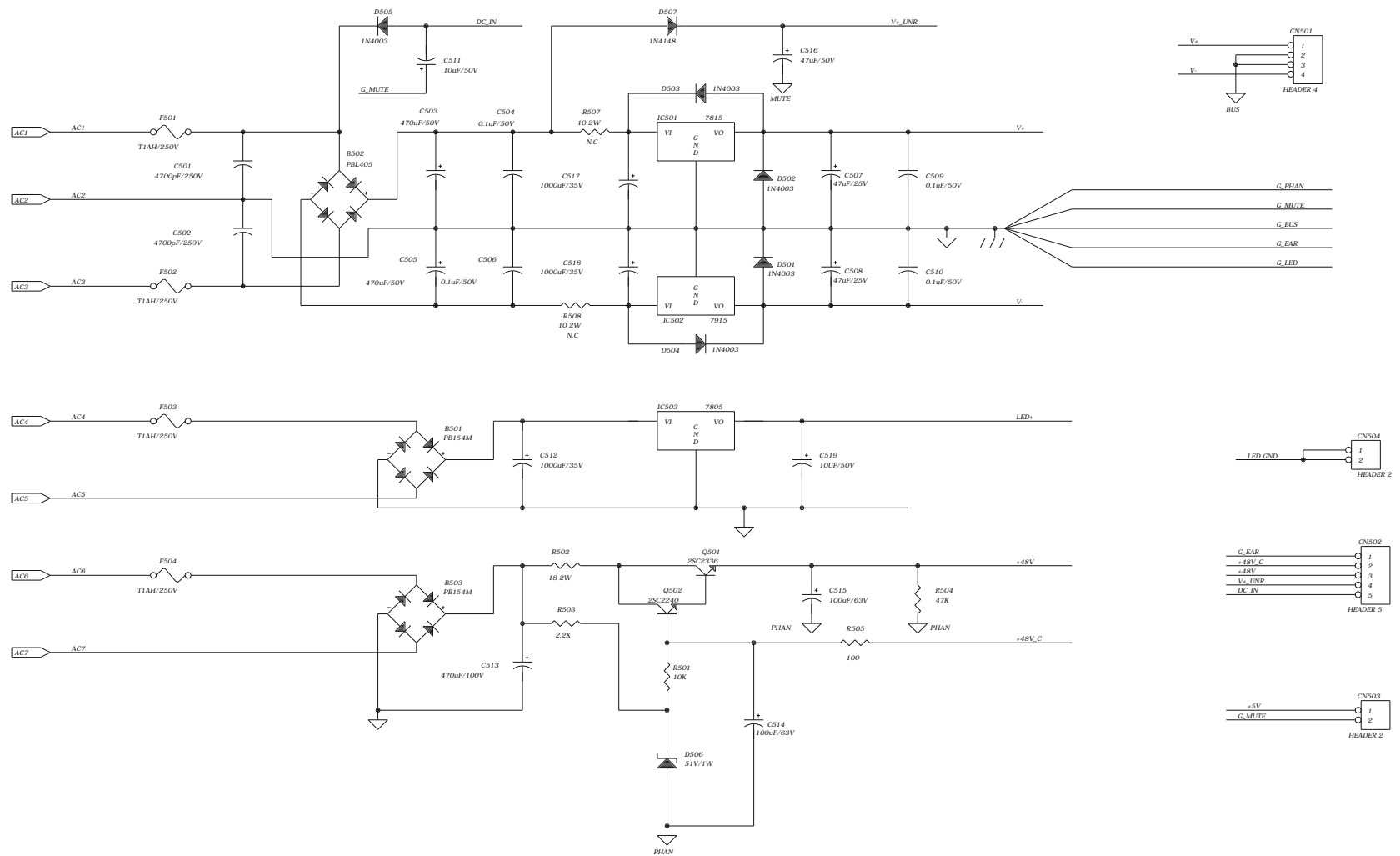
REAR_BOARD



CRATE			
Title	CSMS REAR OUTPUT		
Size	Document Number	REV	
B	REAR-SCH (PCB-C)	B	
Date:	November 22, 2000	Sheet	7 of 9



CRATE			
Title			
CSM8 REC INPUT/OUTPUT			
Size	Document Number		REV
B	REC.SCH (PCB-R)		
Date:	November 22, 2000	Sheet	8 of 9



CRATE			
Title			
CSM8 POWER SUPPLY			
Size	Document Number		REV
B	POWER.SCH (PCB-I)		a
Date:	November 22, 2000	Sheet	9 of 9