


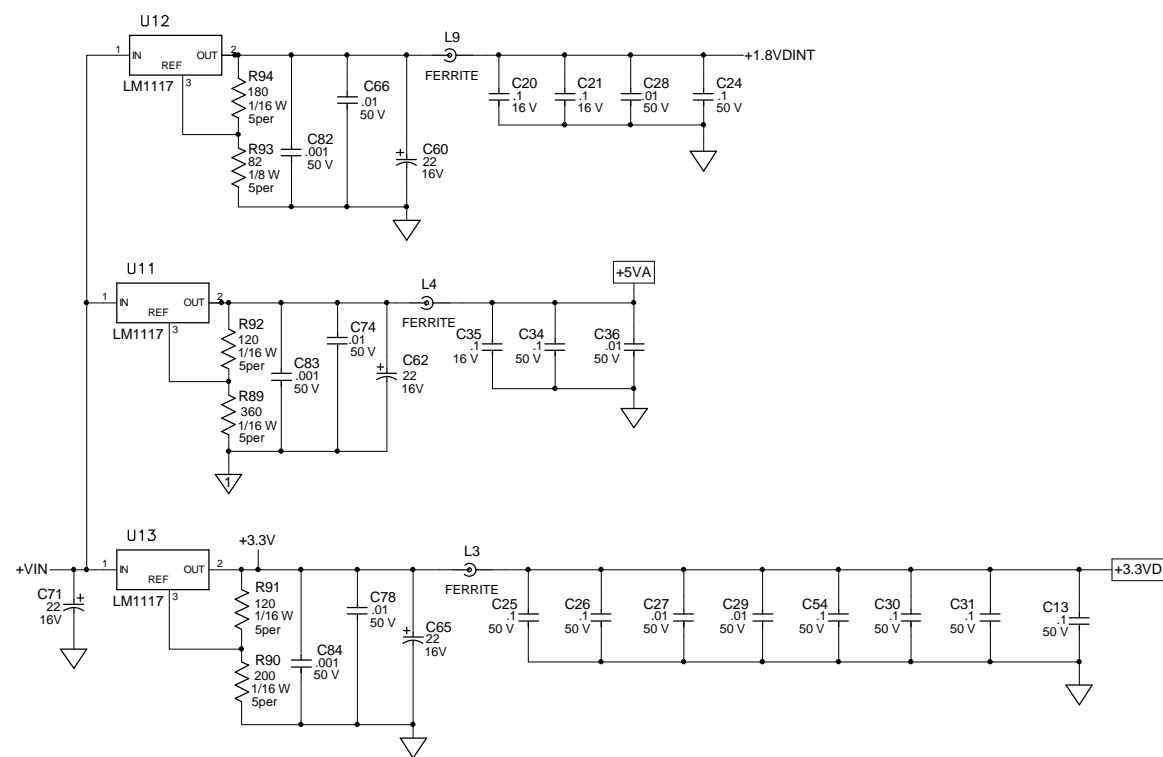
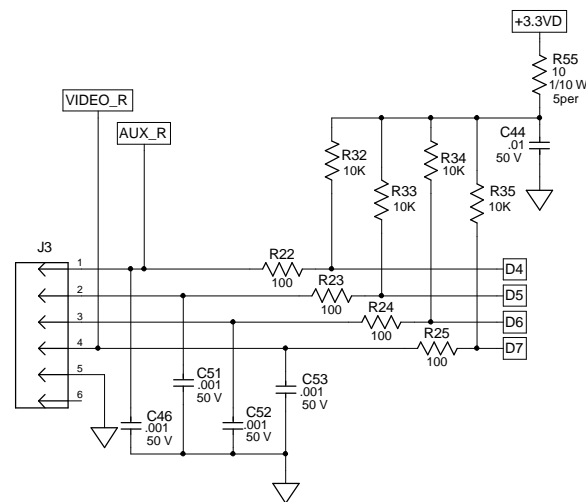
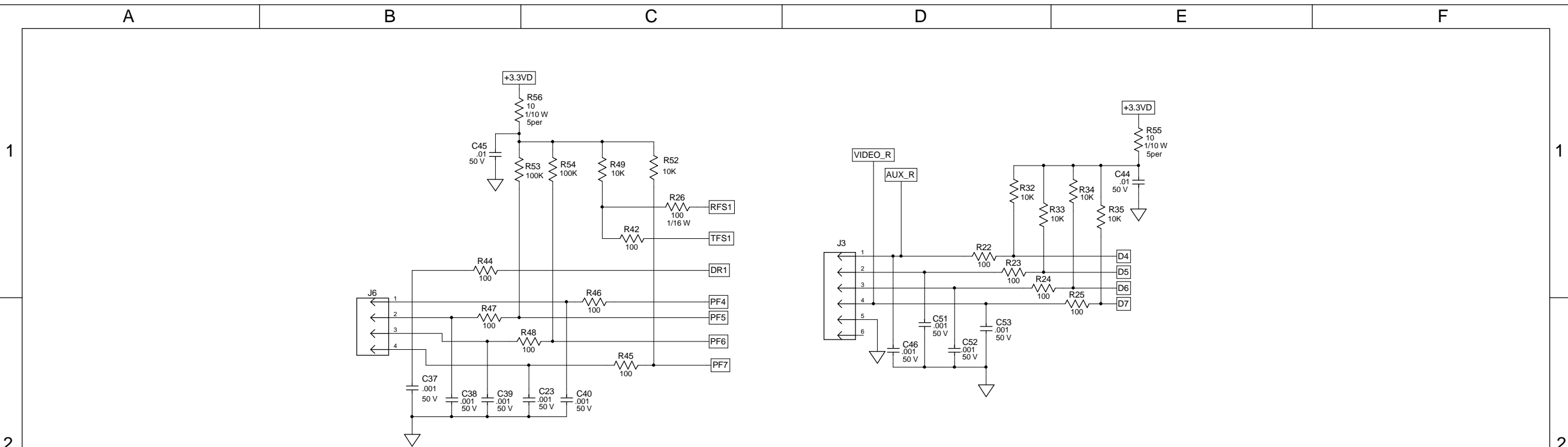
FOR ASSEMBLY 06B885-18

CAUTION:
THIS SCHEMATIC IS PROVIDED FOR USE BY QUALIFIED PERSONNEL. TO AVOID RISK OF ELECTRIC SHOCK, REFER SERVICING TO QUALIFIED SERVICE PERSONNEL. DO NOT PERFORM ANY SERVICING BEYOND THAT EXPLAINED IN THE OPERATING INSTRUCTIONS.

- NOTES:
- 1) CAUTION: SHOCK HAZARD!! THIS UNIT CONTAINS HAZARDOUS VOLTAGE. DISCONNECT POWER AND BE SURE POWER SUPPLY IS DISCHARGED BEFORE TOUCHING INTERNAL PARTS.
 - 2) UNLESS NOTED, RESISTOR VALUES IN OHMS, 1/4W-5% TOL. CAPACITOR VALUES IN MICROFARADS, 50V-10% TOL.
 - 3) VOLTAGES ARE MEASURED WITH 1 MEGOHM OSCILLOSCOPE AND 10 MEGOHM DIGITAL VOLTMETER.

| Power Table | | | | | | |
|-------------|--------------------|---------|-------------|--------|-----------|------------------------------|
| Ref Des | Device(Type) | Package | +3.3V | +3.3VD | +1.8VDINT | D-GND |
| U1 | 37S18603_ | TQFP100 | 90,67,36,15 | 59,18 | | 92,80,71,66,60,41,28,17,12,3 |
| U4 | 37S18104_ | SOT-23 | 3 | | | 1 |
| U5 | 37S001000_32PLCC_X | 32PLCC | 32 | | | 16 |
| U6 | 37S87202_ | SOJ32_3 | 32 | | | 16 |


| 0 | 10-03 | CONTROL ISSUE | D030254 | RLB | | |
|---|-------|-------------------------|---------------|----------------------------|--|------|
| REV | Date | DESCRIPTION | Ecr(s)/Ecn(s) | Chgd By | Appvd by | Date |
| THE INFORMATION CONTAINED ON THIS DRAWING IS PROPRIETARY TO ST. LOUIS MUSIC, INC. | | | | | | |
| Signatures: | | | Date: | |  11880 Borman Drive, St. Louis, MO 63146 | |
| Drawn: RLB | | | 7-19-01 | | First Used On: | |
| Checked: | | | | | Released: | |
| Tolerance: | | Drawing Size: C | | Drawing Title: DSP EFFECTS | | |
| | | Drawing Type: Schematic | | Drawing Number: 06S885-18 | | |
| | | Class Code: NONE | | Sheet 1 of 2 | | |



FOR ASSEMBLY 06B885-18

CAUTION:
THIS SCHEMATIC IS PROVIDED FOR USE BY QUALIFIED PERSONNEL TO AVOID RISK OF ELECTRIC SHOCK, REFER SERVICING TO QUALIFIED SERVICE PERSONNEL. DO NOT PERFORM ANY SERVICING BEYOND THAT EXPLAINED IN THE OPERATING INSTRUCTIONS.

- NOTES:
- 1) CAUTION: SHOCK HAZARD!! THIS UNIT CONTAINS HAZARDOUS VOLTAGE. DISCONNECT POWER AND BE SURE POWER SUPPLY IS DISCHARGED BEFORE TOUCHING INTERNAL PARTS.
 - 2) UNLESS NOTED, RESISTOR VALUES IN OHMS, 1/4W-5% TOL. CAPACITOR VALUES IN MICROFARADS, 50V-10% TOL.
 - 3) VOLTAGES ARE MEASURED WITH 1 MEGOHM OSCILLOSCOPE AND 10 MEGOHM DIGITAL VOLTMETER.

| REV | Date | DESCRIPTION | Ecr(s)/Ecn(s) | Chgd By | Appvd by | Date |
|---|------|-------------------------|--|---------|----------|------|
| THE INFORMATION CONTAINED ON THIS DRAWING IS PROPRIETARY TO ST. LOUIS MUSIC, INC. | | | | | | |
| Signatures: | | Date: |  11880 Borman Drive, St. Louis, MO 63146 | | | |
| Drawn: RLB | | 7-19-01 | First Used On: | | | |
| Checked: | | | Released: | | | |
| Tolerance: | | Drawing Size: C | Drawing Title: DSP EFFECTS | | | |
| | | Drawing Type: Schematic | Drawing Number: 06S885-18 | | | |
| | | Class Code: NONE | Sheet 2 of 2 | | | |