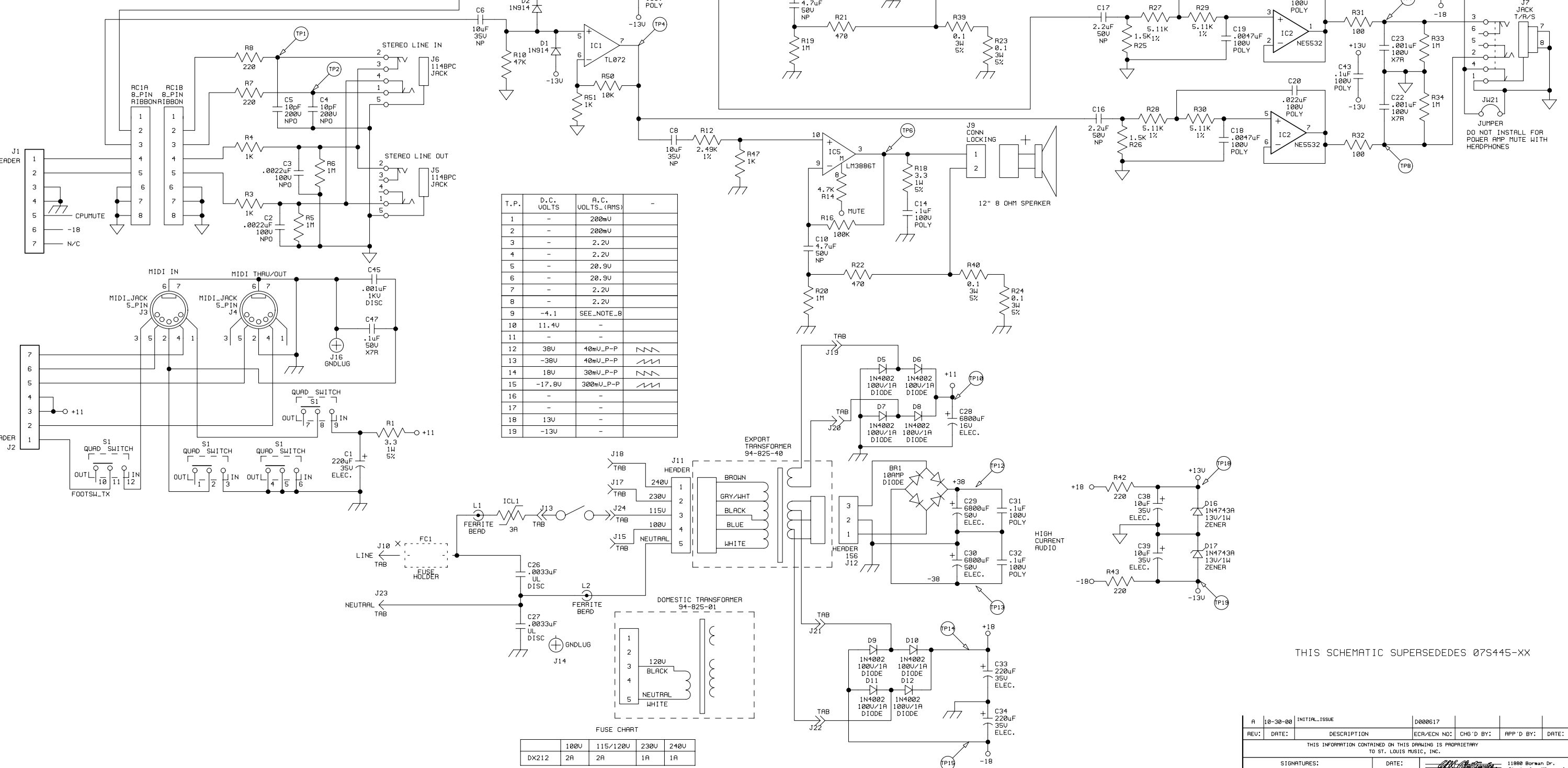
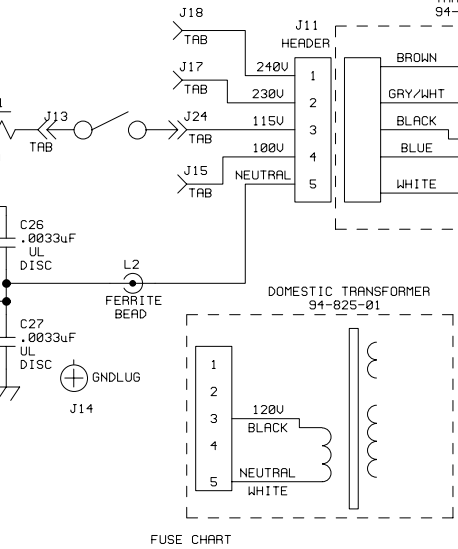


- NOTES:
- 1) CAUTION: SHOCK HAZARD!! THIS UNIT CONTAINS HAZARDOUS VOLTAGE. DISCONNECT POWER AND BE SURE POWER SUPPLY IS DISCHARGED BEFORE TOUCHING INTERNAL PARTS.
 - 2) UNLESS NOTED, RESISTOR VALUES IN OHMS, 1/4W-5% TOL. CAPACITOR VALUES IN MICROFARADS, 50V-10% TOL.
 - 3) VOLTAGES ARE MEASURED WITH 1 MEGOHM OSCILLOSCOPE AND 10 MEGOHM DIGITAL VOLTMETER.
 - 5) ALL DC VOLTAGES WITH NO SIGNAL APPLIED.
 - 6) INPUT SIGNAL @ STEREO LINE IN JACK 200 mVRMS @ 1KHz
 - 6) 120VAC LINE/60Hz.
 - 7) CONNECTORS J1 & J2 DISCONNECTED FROM PREAMP BOARD JUMPER FROM PIN 5 OF J1 TO PIN 4 OF J2 TO DISABLE INPUT MUTE.



T.P.	D.C. VOLTS	A.C. VOLTS (RMS)	
1	-	200mV	
2	-	200mV	
3	-	2.2V	
4	-	2.2V	
5	-	20.9V	
6	-	20.9V	
7	-	2.2V	
8	-	2.2V	
9	-4.1	SEE NOTE 8	
10	11.4V	-	
11	-	-	
12	38V	40mV_P-P	⚡
13	-38V	40mV_P-P	⚡
14	18V	30mV_P-P	⚡
15	-17.8V	30mV_P-P	⚡
16	-	-	
17	-	-	
18	13V	-	
19	-13V	-	



CAUTION: THIS SCHEMATIC IS PROVIDED FOR USE BY QUALIFIED PERSONNEL. TO AVOID RISK OF ELECTRIC SHOCK, REFER SERVICING TO QUALIFIED SERVICE PERSONNEL. DO NOT PERFORM ANY SERVICING BEYOND THAT EXPLAINED IN THE OPERATING INSTRUCTIONS.

THIS SCHEMATIC SUPERSEDES 07S445-XX

A	10-30-00	INITIAL ISSUE	D000617			
REV:	DATE:	DESCRIPTION	ECR/ECN NO:	CHG'D BY:	APP'D BY:	DATE:
THIS INFORMATION CONTAINED ON THIS DRAWING IS PROPRIETARY TO ST. LOUIS MUSIC, INC.						
SIGNATURES:		DATE:	11880 Bowman Dr. St. Louis, Missouri 63146			
DRAWN:	ALB	10-29-98				
CHK'D:			FIRST USED ON: DX-212			
ALS'D:						
TOLERANCES:	DRAWING SIZE: D	DRAWING TITLE: POWER_AMP_SCHEMATIC		DRAWING NO.: 07S455-XX		
	DRAWING TYPE: -					
	CLASS CODE:					
	SCALE: NONE	SHEET: SHT 1 OF 1				

LAST USED IC 8 J23 D17 R53 C43