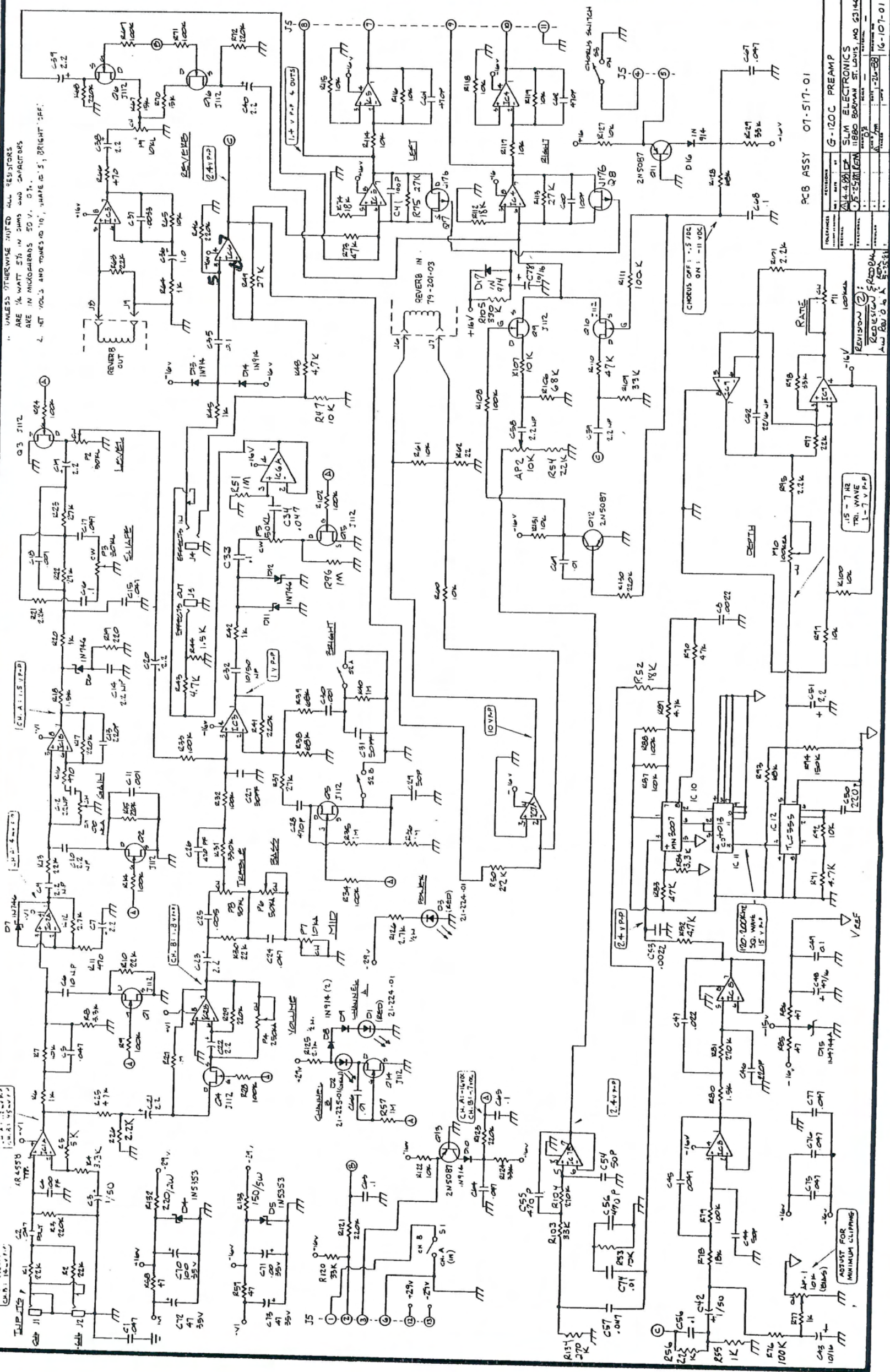
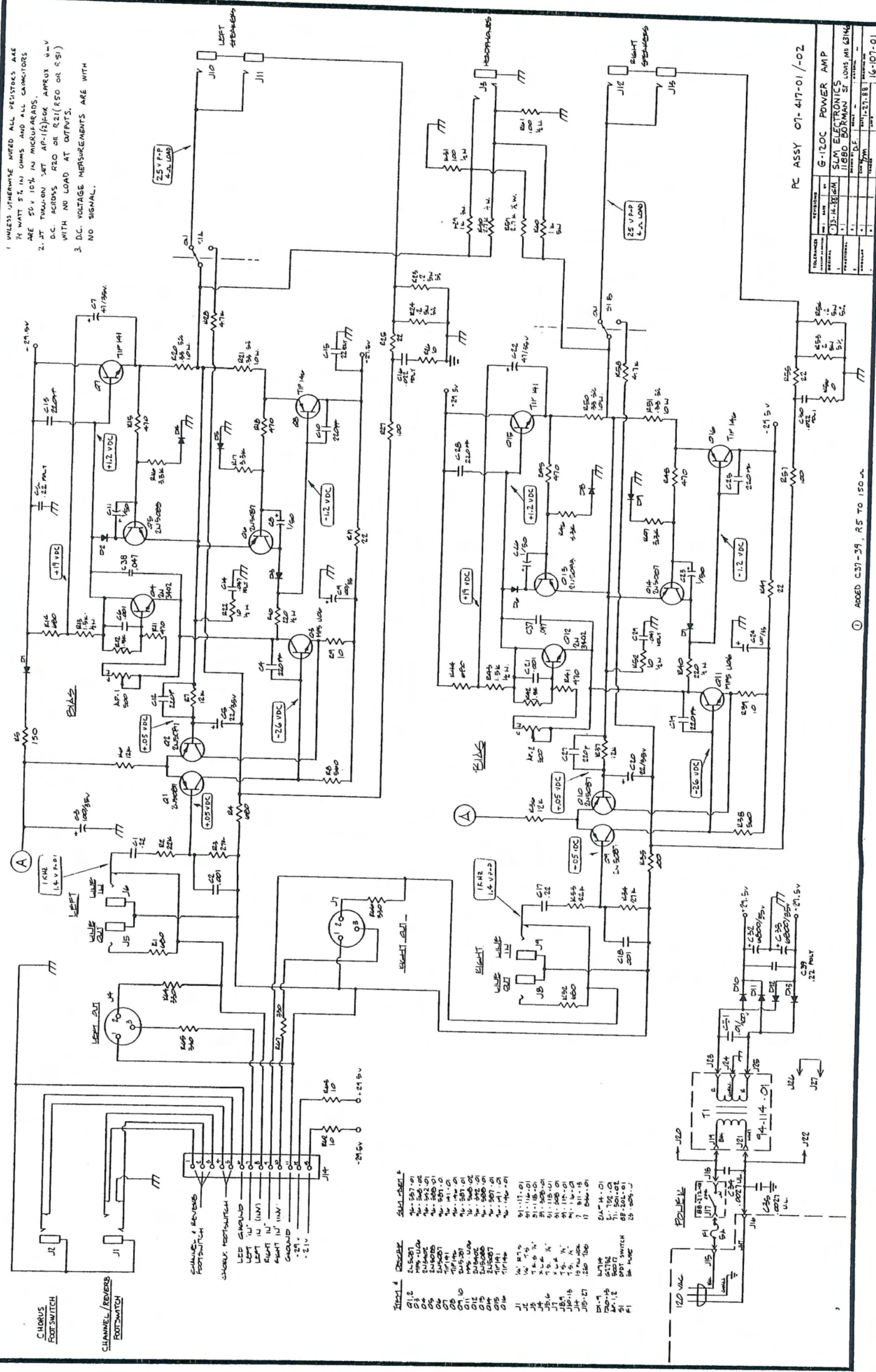


NEW VERSION



CAUTION: These servicing instructions are for use by qualified personnel only. To avoid electric shock, do not perform any servicing other than that contained in the operating instructions. Refer servicing to qualified service personnel.

1. UNLESS OTHERWISE NOTED ALL RESISTORS ARE 1/4 WATT 5% IN OHMS AND ALL CAPACITORS ARE 50V 10% IN MICROFARADS.
2. AT TUNING SET AP-1(2) FOR APPROX 60V D.C. ACROSS R20 OR R21 (R50 OR R51) WITH NO LOAD AT OUTPUTS.
3. D.C. VOLTAGE MEASUREMENTS ARE WITH NO SIGNAL.



REVISED	DATE	BY	REASON
1	11-12-58	SM	INITIAL DESIGN
2	1-15-59	SM	REVISION
3	1-15-59	SM	REVISION
4	1-15-59	SM	REVISION
5	1-15-59	SM	REVISION
6	1-15-59	SM	REVISION
7	1-15-59	SM	REVISION
8	1-15-59	SM	REVISION
9	1-15-59	SM	REVISION
10	1-15-59	SM	REVISION

Schematic provided for use by qualified service personnel only.

CAUTION: These servicing instructions are for use by qualified personnel only. To avoid electric shock, do not perform any servicing other than that contained in the operating instructions. Refer servicing to qualified service personnel.

PC ASSY 07-417-01/-02

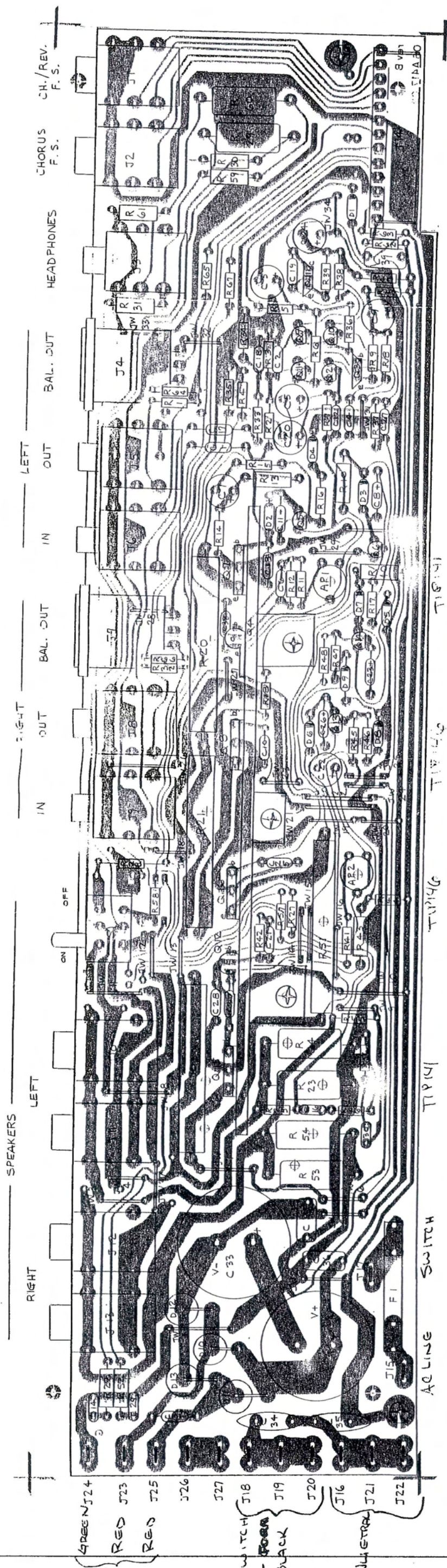
6-120C POWER AMP

SUM ELECTRONICS

11880 BORMAN ST. LOUIS, MO 63142

16-107-01

ITEM #	DESCRIPTION	QUANTITY	REMARKS
Q15	6-120C	2	
Q16	6X4	2	
J1	1.5K 1/2W	1	
J2	1.5K 1/2W	1	
J3	1.5K 1/2W	1	
J4	1.5K 1/2W	1	
J5	1.5K 1/2W	1	
J6	1.5K 1/2W	1	
J7	1.5K 1/2W	1	
J8	1.5K 1/2W	1	
J9	1.5K 1/2W	1	
J10	1.5K 1/2W	1	
J11	1.5K 1/2W	1	
J12	1.5K 1/2W	1	
J13	1.5K 1/2W	1	
J14	1.5K 1/2W	1	
J15	1.5K 1/2W	1	
J16	1.5K 1/2W	1	
J17	1.5K 1/2W	1	
J18	1.5K 1/2W	1	
J19	1.5K 1/2W	1	
J20	1.5K 1/2W	1	
J21	1.5K 1/2W	1	
J22	1.5K 1/2W	1	
J23	1.5K 1/2W	1	
J24	1.5K 1/2W	1	
J25	1.5K 1/2W	1	
J26	1.5K 1/2W	1	
J27	1.5K 1/2W	1	
J28	1.5K 1/2W	1	
J29	1.5K 1/2W	1	
J30	1.5K 1/2W	1	
J31	1.5K 1/2W	1	
J32	1.5K 1/2W	1	
J33	1.5K 1/2W	1	
J34	1.5K 1/2W	1	
J35	1.5K 1/2W	1	
J36	1.5K 1/2W	1	
J37	1.5K 1/2W	1	
J38	1.5K 1/2W	1	
J39	1.5K 1/2W	1	
J40	1.5K 1/2W	1	
J41	1.5K 1/2W	1	
J42	1.5K 1/2W	1	
J43	1.5K 1/2W	1	
J44	1.5K 1/2W	1	
J45	1.5K 1/2W	1	
J46	1.5K 1/2W	1	
J47	1.5K 1/2W	1	
J48	1.5K 1/2W	1	
J49	1.5K 1/2W	1	
J50	1.5K 1/2W	1	
J51	1.5K 1/2W	1	
J52	1.5K 1/2W	1	
J53	1.5K 1/2W	1	
J54	1.5K 1/2W	1	
J55	1.5K 1/2W	1	
J56	1.5K 1/2W	1	
J57	1.5K 1/2W	1	
J58	1.5K 1/2W	1	
J59	1.5K 1/2W	1	
J60	1.5K 1/2W	1	
J61	1.5K 1/2W	1	
J62	1.5K 1/2W	1	
J63	1.5K 1/2W	1	
J64	1.5K 1/2W	1	
J65	1.5K 1/2W	1	
J66	1.5K 1/2W	1	
J67	1.5K 1/2W	1	
J68	1.5K 1/2W	1	
J69	1.5K 1/2W	1	
J70	1.5K 1/2W	1	
J71	1.5K 1/2W	1	
J72	1.5K 1/2W	1	
J73	1.5K 1/2W	1	
J74	1.5K 1/2W	1	
J75	1.5K 1/2W	1	
J76	1.5K 1/2W	1	
J77	1.5K 1/2W	1	
J78	1.5K 1/2W	1	
J79	1.5K 1/2W	1	
J80	1.5K 1/2W	1	
J81	1.5K 1/2W	1	
J82	1.5K 1/2W	1	
J83	1.5K 1/2W	1	
J84	1.5K 1/2W	1	
J85	1.5K 1/2W	1	
J86	1.5K 1/2W	1	
J87	1.5K 1/2W	1	
J88	1.5K 1/2W	1	
J89	1.5K 1/2W	1	
J90	1.5K 1/2W	1	
J91	1.5K 1/2W	1	
J92	1.5K 1/2W	1	
J93	1.5K 1/2W	1	
J94	1.5K 1/2W	1	
J95	1.5K 1/2W	1	
J96	1.5K 1/2W	1	
J97	1.5K 1/2W	1	
J98	1.5K 1/2W	1	
J99	1.5K 1/2W	1	
J100	1.5K 1/2W	1	



ITEM	DESCRIPTION	PART NO.	ITEM	DESCRIPTION	PART NO.
R1	680	76-601-01	R57	100	76-101-01
R2	22K	76-223-01	R58	4.7K	76-472-01
R3	27K	76-273-01	R59	2.7K 1/2W	77-272-01
R4	150	76-153-01	R60	1K 5W	78-102-05
R5	150	76-153-01	R61	100 1/2W	78-102-05
R6	12K	76-123-01	R62	10	76-100-01
R7	12K	76-123-01	R63	10	76-100-01
R8	560	76-561-01	R64	330	76-331-01
R9	10	76-100-01	R65	330	76-331-01
R10	220 1/2W	77-221-01	R66	330	76-331-01
R11	10	76-100-01	R67	330	76-331-01
R12	1.5K 1/2W	77-151-01	C1	.22	10A224-01
R13	1.5K 1/2W	77-151-01	C2	.001	10A102-11
R14	680	76-681-01	C3	100/35V	12-107-32
R15	470	76-471-01	C4	200P	10A221-11
R16	3.3K	76-332-01	C5	22/35V	12-226-32
R17	3.3K	76-332-01	C6	47/35V	12-476-32
R18	470	76-471-01	C7	47/35V	12-476-32
R19	22	76-220-01	C8	1.0	12A105-51
R20	.33 10W	78-330-10	C9	100/35V	12-107-32
R21	.33 10W	78-330-10	C10	200P	10A221-11
R22	10 1/2W	77-100-01	C11	1.0	12A105-51
R23	2	76-200-05	C12	200P	10A221-11
R24	2	76-200-05	C13	200P	10A221-11
R25	22	76-220-01	C14	220P	10A221-11
R26	22	76-220-01	C15	.047 POLY	10-473-03
R27	100	76-100-01	C16	.22 POLY	10-223-02
R28	4.7K	76-472-01	C17	.022 POLY	10-223-02
R29	3.3K	76-332-01	C18	.22	10A224-01
R30	3.3K	76-332-01	C19	501	10A102-11
R31	100 1/2W	77-101-01	C20	501	10A102-11
R32	680	76-681-01	C21	501	10A102-11
R33	22K	76-223-01	C22	.001	10A102-11
R34	27K	76-273-01	C23	1.0	12-476-32
R35	680	76-681-01	C24	1.0	12A105-51
R36	12K	76-123-01	C25	100/35V	12-107-32
R37	12K	76-123-01	C26	100/35V	12-107-32
R38	560	76-561-01	C27	1.0	12A105-51
R39	10	76-100-01	C28	220P	10A221-11
R40	220 1/2W	77-221-01	C29	220P	10A221-11
R41	470	76-471-01	C30	.047 POLY	10-473-03
R42	1.5K	76-153-01	C31	.022 POLY	10-223-02
R43	1.5K	76-153-01	C32	.022 POLY	10-223-02
R44	680	76-681-01	C33	501/100V	10A103-11
R45	470	76-471-01	C34	501/100V	10A103-11
R46	3.3K	76-332-01	C35	501/100V	10A103-11
R47	3.3K	76-332-01	C36	.0027 U.L.L.	10-272-01
R48	20	76-200-05	C37	.0027 U.L.L.	10-272-01
R49	20	76-200-05	C38	.22 POLY	10-224-03
R50	25 10W	78-250-10	C39	.047	10A473-11
R51	.33 10W	78-330-10	C40	.047	10A473-11
R52	10 1/2W	77-100-01	C41	.22 POLY	10-224-03
R53	.2 5W	78-200-05	C42	.22 POLY	10-224-03
R54	.2 5W	78-200-05	C43	.22 POLY	10-224-03
R55	.2 5W	78-200-05	C44	.22 POLY	10-224-03
R56	10	76-100-01	C45	.22 POLY	10-224-03

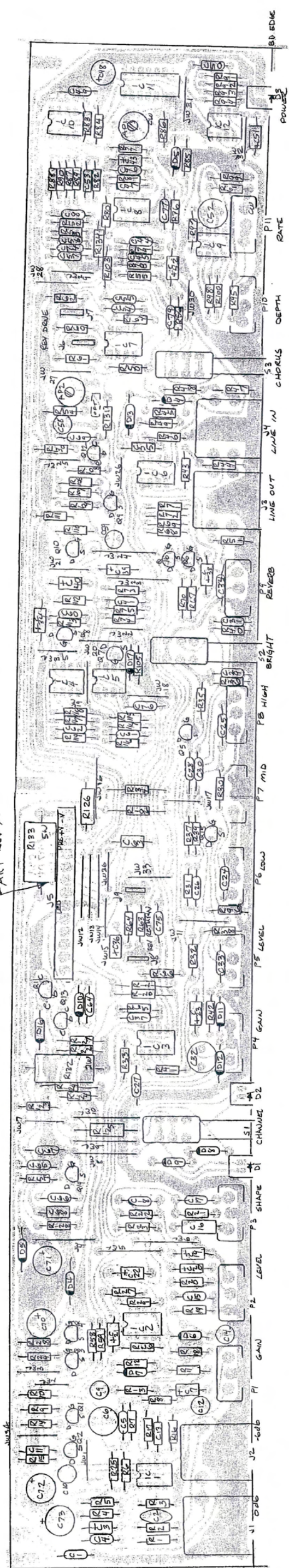
NOTES:
 1) UNLESS OTHERWISE SPECIFIED:
 ALL RESISTORS ARE IN OHMS, YMW, 5%,
 ALL CAPACITORS ARE IN MICROFARADS,
 AND HAVE A 50V RATING.

Assy # 07-47-02

TOLERANCES	REVISIONS	NO.	DATE	BY
RESISTORS	1	1		
CAPACITORS	2	2		
INDUCTORS	3	3		
TRANSISTORS	4	4		
DIODES	5	5		
RELAYS	6	6		
SWITCHES	7	7		
CONNECTORS	8	8		
MECHANICAL	9	9		
ELECTRICAL	10	10		
WELDING	11	11		
FINISHING	12	12		
PACKAGING	13	13		
TESTING	14	14		
REWORK	15	15		

G-120C PWR AMP PICTORIAL
 SLM ELECTRONICS
 11880 BORMAN ST. LOUIS, MO 63146
 DRAWN BY: JBA
 CHECKED BY: JBA
 DATE: 07-47-02

PART REV A



ITEM	DESCRIPTION	PART NO.	ITEM	DESCRIPTION	PART NO.	ITEM	DESCRIPTION	PART NO.	ITEM	DESCRIPTION	PART NO.
R1	22K	76-223-01	R106	68K	76-334-01	C23	2.2	12A225-51	C75	.047	10A473-11
R2	22K	76-223-01	R107	10K	76-103-01	C24	.0015	10A473-11	C76	.047	10A473-11
R3	220K	76-224-01	R108	100K	76-104-01	C25	470P	10A471-01	C77	1/16W	12A106-11
R4	3.3K	76-332-01	R109	33K	76-333-01	C26	470P	10A500-21	C78	1/16W	12A106-11
R5	15K	76-153-01	R110	47K	76-473-01	C27	50P	10A471-11	C79	1/16W	96-112-01
R6	1K	76-103-01	R111	100K	76-104-01	C28	470P	10A500-21	C80	1/16W	96-112-01
R7	1K	76-103-01	R112	100K	76-104-01	C29	50P	10A500-21	C81	1/16W	96-112-01
R8	10K	76-103-01	R113	27K	76-273-01	C30	.001	10A103-11	C82	1/16W	96-112-01
R9	100K	76-104-01	R114	10K	76-103-01	C31	50P	10A500-21	C83	1/16W	96-587-01
R10	22K	76-223-01	R115	10K	76-103-01	C32	10 NP	12-108-81	C84	1/16W	96-587-01
R11	470	76-471-01	R116	10K	76-103-01	C33	10 NP	10A473-01	C85	1/16W	21-224-01
R12	2.7K	76-272-01	R117	10K	76-103-01	C34	.047	10A473-01	C86	1/16W	21-224-01
R13	22K	76-223-01	R118	10K	76-103-01	C35	1.0	12A105-51	C87	1/16W	21-224-01
R14	100K	76-103-01	R119	10K	76-103-01	C36	1.0	10A332-01	C88	1/16W	21-224-01
R15	100K	76-103-01	R120	33K	76-333-01	C37	.0033	10A332-01	C89	1/16W	21-224-01
R16	4.7K	76-471-01	R121	33K	76-333-01	C38	2.2	12A225-51	C90	1/16W	21-224-01
R17	470	76-471-01	R122	220K	76-224-01	C39	2.2	12A225-51	C91	1/16W	21-224-01
R18	220K	76-224-01	R123	220K	76-224-01	C40	2.2	10A103-51	C92	1/16W	21-224-01
R19	1.5K	76-152-01	R124	10K	76-103-01	C41	1.0	10A103-51	C93	1/16W	21-224-01
R20	2.2K	76-222-01	R125	33K	76-333-01	C42	1.0	12A105-51	C94	1/16W	21-224-01
R21	2.2K	76-222-01	R126	2.7K 1/2W	77-272-01	C43	10/16V	12A106-11	C95	1/16W	21-224-01
R22	2.7K	76-272-01	R127	2.7K 1/2W	77-272-01	C44	50P	10A500-21	C96	1/16W	21-224-01
R23	1.5K	76-152-01	R128	58K	76-583-01	C45	.0047	10A472-01	C97	1/16W	21-224-01
R24	1.5K	76-152-01	R129	33K	76-333-01	C46	220P	10A472-01	C98	1/16W	21-224-01
R25	100K	76-103-01	R130	220K	76-224-01	C47	4.7/16V	12A223-01	C99	1/16W	21-224-01
R26	4.7K	76-471-01	R131	10K	76-103-01	C48	1.0	10A223-11	C100	1/16W	21-224-01
R27	2.2K	76-222-01	R132	10K	76-103-01	C49	.022	12-476-12	C101	1/16W	21-224-01
R28	100K	76-103-01	R133	220 2R	76-221-02	C50	220P	10A223-11	C102	1/16W	21-224-01
R29	220K	76-224-01	R134	150 5H	78-151-05	C51	220P	10A223-11	C103	1/16W	21-224-01
R30	22K	76-223-01	R135	270K	76-274-01	C52	22/16V NP	12A225-51	C104	1/16W	21-224-01
R31	100K	76-103-01	R136	270K	76-274-01	C53	.0022	12-226-82	C105	1/16W	21-224-01
R32	100K	76-103-01	R137	10K	76-103-01	C54	50P	10A500-21	C106	1/16W	21-224-01
R33	100K	76-103-01	R138	10K	76-103-01	C55	470P	10A500-21	C107	1/16W	21-224-01
R34	100K	76-103-01	R139	10K	76-103-01	C56	470P	10A500-21	C108	1/16W	21-224-01
R35	1K	76-104-01	R140	10K	76-103-01	C57	470P	10A500-21	C109	1/16W	21-224-01
R36	1K	76-104-01	R141	10K	76-103-01	C58	470P	10A500-21	C110	1/16W	21-224-01
R37	1K	76-104-01	R142	10K	76-103-01	C59	2.2 NP	12-225-81	C111	1/16W	21-224-01
R38	68K	76-683-01	R143	10K	76-103-01	C60	100P	10A101-21	C112	1/16W	21-224-01
R39	4.7K	76-473-01	R144	10K	76-103-01	C61	470P	10A101-21	C113	1/16W	21-224-01
R40	4.7K	76-473-01	R145	10K	76-103-01	C62	470P	10A101-21	C114	1/16W	21-224-01
R41	220K	76-224-01	R146	10K	76-103-01	C63	.047	10A471-11	C115	1/16W	21-224-01
R42	1K	76-102-01	R147	10K	76-103-01	C64	.047	10A471-11	C116	1/16W	21-224-01
R43	4.7K	76-473-01	R148	10K	76-103-01	C65	.047	10A471-11	C117	1/16W	21-224-01
R44	1.5K	76-152-01	R149	10K	76-103-01	C66	.047	10A471-11	C118	1/16W	21-224-01
R45	1K	76-102-01	R150	10K	76-103-01	C67	.047	10A471-11	C119	1/16W	21-224-01
R46	220K	76-224-01	R151	10K	76-103-01	C68	.047	10A471-11	C120	1/16W	21-224-01
R47	10K	76-103-01	R152	10K	76-103-01	C69	.01/35V	12-101-32	C121	1/16W	21-224-01
R48	10K	76-103-01	R153	10K	76-103-01	C70	100/35V	12-101-32	C122	1/16W	21-224-01
R49	2.2K	76-222-01	R154	10K	76-103-01	C71	47/35V	12-476-32	C73	1/16W	21-224-01
R50	22K	76-223-01	R155	10K	76-103-01	C72	47/35V	12-476-32	C74	1/16W	21-224-01
R51	1K	76-103-01	R156	10K	76-103-01	C73	47/35V	12-476-32			
R52	1K	76-103-01	R157	10K	76-103-01	C74	.01	10A103-11			

NOTES:
 1) UNLESS OTHERWISE SPECIFIED:
 ALL RESISTORS ARE IN OHMS, KILOWATT, 5%,
 ALL CAPS ARE IN MICROFARADS & 50 VOLT.

REV 5-23-88 BSM
 TOTAL REVIEWS
 PCB 06A517-00
 ALL REV'S BY BWA

TOLERANCES	REVISIONS	NO.	DATE	BY
DECIMAL	1	0		
FRACTIONAL	2	0		
ANGULAR	3	0		
WELD	4	0		
MATERIAL	5	0		
FINISH	6	0		

5-120C PREAMP (REV. A)
 PIC 2-ASSY B-D 7-517-01
 SLA ELECTRONICS 515 COWLEY
 1400 FERRISON 83783
 REV 5-23-88 BSM
 PCB 06A517-00
 ALL REV'S BY BWA
 DRAWING NO. 06A517-00
 DATE 5-23-88
 07-517-01