

TEST POINTS	VOLTAGE	WAVE	CHUNK A	CHUNK B	3RD Q
1	170mV-P	60mV-P	100mV-P	100mV-P	100mV-P
2	30mV-P	0	30mV-P	30mV-P	30mV-P
3	30mV-P	0	30mV-P	30mV-P	30mV-P
4	100mV-P	0	100mV-P	100mV-P	100mV-P
5	40mV-P	0	40mV-P	40mV-P	40mV-P
6	1Vdc	0	1Vdc	1Vdc	1Vdc
7	0	0	0	0	0
8	0	0	0	0	0
9	30mV-P	30mV-P	30mV-P	30mV-P	30mV-P
10	30mV-P	30mV-P	30mV-P	30mV-P	30mV-P
11	10mV-P	10mV-P	10mV-P	10mV-P	10mV-P
12	30mV-P	30mV-P	30mV-P	30mV-P	30mV-P
13	30mV-P	30mV-P	30mV-P	30mV-P	30mV-P
14	30mV-P	30mV-P	30mV-P	30mV-P	30mV-P
15	30mV-P	30mV-P	30mV-P	30mV-P	30mV-P
16	10mV-P	10mV-P	10mV-P	10mV-P	10mV-P
17	15Vdc	15Vdc	15Vdc	15Vdc	15Vdc
18	15Vdc	15Vdc	15Vdc	15Vdc	15Vdc

DESIGNATOR	DESCRIPTION	PART NO.
AP-1	10K TRIM	71-103-02
D1, 2, 4, 7, 10, 13, 15	1N754	21A754-01
D3, 6, 9, 12, 14, 16	1N754	21A754-01
D5, 8, 11, 17, 18, 20, 21, 22, 23, 24, 25, 26, 27, 28, 29, 30, 31, 32, 33	1N914	21A914-01
D30	1N4148	21A148-01
D31	1N4148	21A148-01
D32	1N4148	21A148-01
D33	1N4148	21A148-01
D34	1N4148	21A148-01
D35	1N4148	21A148-01
D36	1N4148	21A148-01
D37	1N4148	21A148-01
D38	1N4148	21A148-01
D39	1N4148	21A148-01
D40	1N4148	21A148-01
D41	1N4148	21A148-01
D42	1N4148	21A148-01
D43	1N4148	21A148-01
D44	1N4148	21A148-01
D45	1N4148	21A148-01
D46	1N4148	21A148-01
D47	1N4148	21A148-01
D48	1N4148	21A148-01
D49	1N4148	21A148-01
D50	1N4148	21A148-01
D51	1N4148	21A148-01
D52	1N4148	21A148-01
D53	1N4148	21A148-01
D54	1N4148	21A148-01
D55	1N4148	21A148-01
D56	1N4148	21A148-01
D57	1N4148	21A148-01
D58	1N4148	21A148-01
D59	1N4148	21A148-01
D60	1N4148	21A148-01
D61	1N4148	21A148-01
D62	1N4148	21A148-01
D63	1N4148	21A148-01
D64	1N4148	21A148-01
D65	1N4148	21A148-01
D66	1N4148	21A148-01
D67	1N4148	21A148-01
D68	1N4148	21A148-01
D69	1N4148	21A148-01
D70	1N4148	21A148-01
D71	1N4148	21A148-01
D72	1N4148	21A148-01
D73	1N4148	21A148-01
D74	1N4148	21A148-01
D75	1N4148	21A148-01
D76	1N4148	21A148-01
D77	1N4148	21A148-01
D78	1N4148	21A148-01
D79	1N4148	21A148-01
D80	1N4148	21A148-01
D81	1N4148	21A148-01
D82	1N4148	21A148-01
D83	1N4148	21A148-01
D84	1N4148	21A148-01
D85	1N4148	21A148-01
D86	1N4148	21A148-01
D87	1N4148	21A148-01
D88	1N4148	21A148-01
D89	1N4148	21A148-01
D90	1N4148	21A148-01
D91	1N4148	21A148-01
D92	1N4148	21A148-01
D93	1N4148	21A148-01
D94	1N4148	21A148-01
D95	1N4148	21A148-01
D96	1N4148	21A148-01
D97	1N4148	21A148-01
D98	1N4148	21A148-01
D99	1N4148	21A148-01
D100	1N4148	21A148-01

CAUTION: SHOCK HAZARD!!! THIS UNIT CONTAINS HAZARDOUS VOLTAGE. DISCONNECT POWER AND BE SURE POWER SUPPLY IS DISCHARGED BEFORE TOUCHING INTERNAL PARTS.

UNLESS NOTED, RESISTOR VALUES IN OHMS, 1/4W-5% TOL. CAPACITOR VALUES IN MICROFARADS, 50V-10% TOL.

VOLTAGES ARE MEASURED WITH A MEGOHM OSCILLOSCOPE AND 10 MEGOHM DIGITAL VOLTMETER.

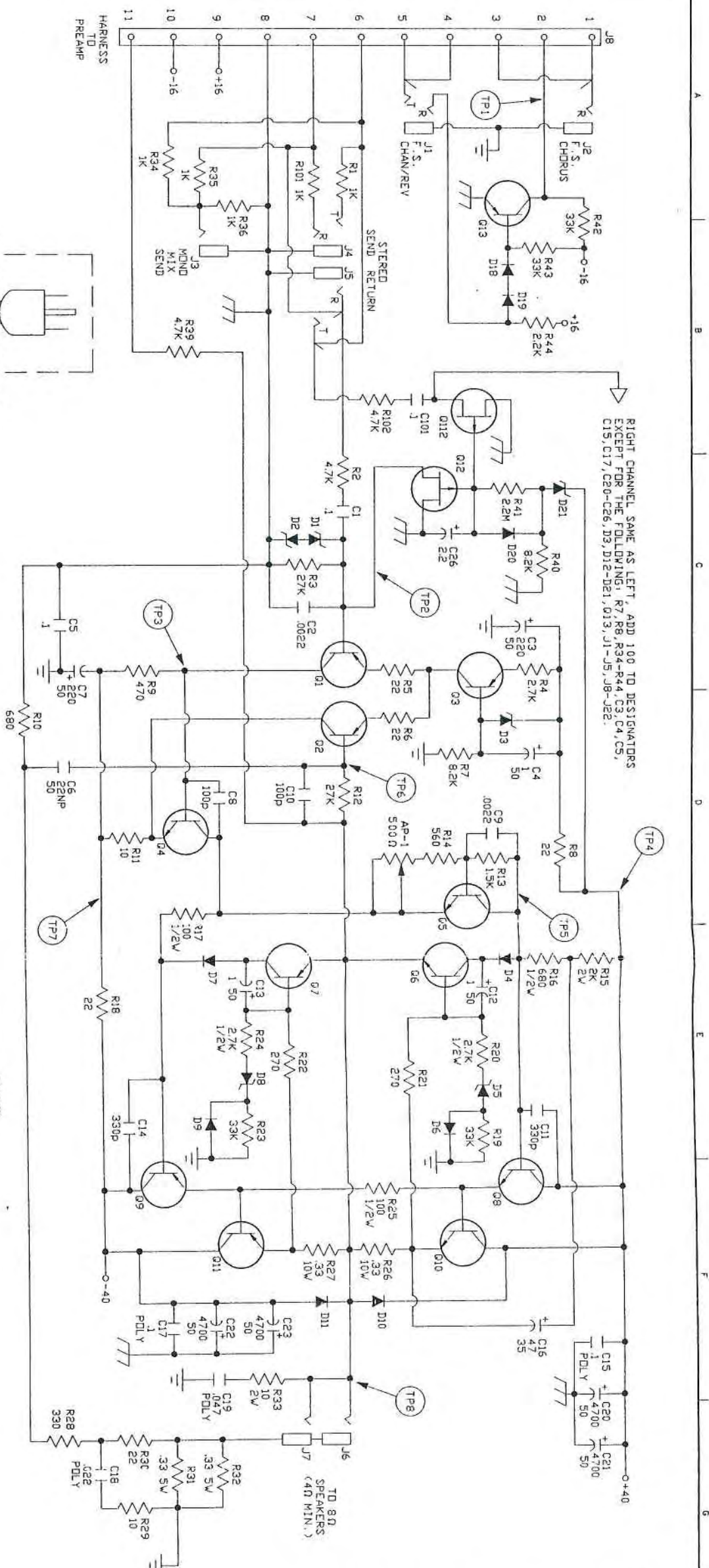
CIRCUIT GROUND ∇ SWITCH GROUND ∇ CHASSIS GROUND ∇

* - INDICATES ASSIGNED VALUES FOR (R12, C9, C9) ON THE G-130CXLH VERSION.

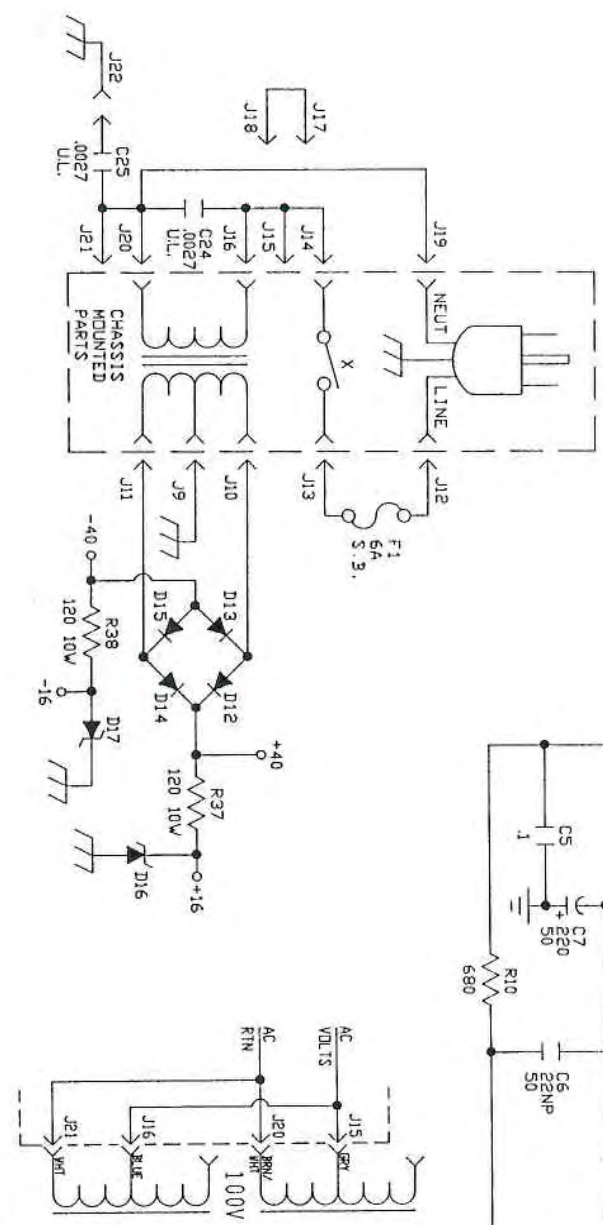
NOTES:
 1) CAUTION, SHOCK HAZARD!!!
 2) UNLESS NOTED, RESISTOR VALUES IN OHMS, 1/4W-5% TOL. CAPACITOR VALUES IN MICROFARADS, 50V-10% TOL.
 3) VOLTAGES ARE MEASURED WITH A MEGOHM OSCILLOSCOPE AND 10 MEGOHM DIGITAL VOLTMETER.
 4) CIRCUIT GROUND ∇ SWITCH GROUND ∇ CHASSIS GROUND ∇
 5) * - INDICATES ASSIGNED VALUES FOR (R12, C9, C9) ON THE G-130CXLH VERSION.

CAUTION: THIS SCHEMATIC IS PROVIDED FOR USE BY QUALIFIED PERSONNEL. TO AVOID RISK OF ELECTRIC SHOCK, REFER SERVICING TO QUALIFIED SERVICE PERSONNEL. DO NOT PERFORM ANY SERVICING BEYOND THAT EXPLAINED IN THE OPERATING INSTRUCTIONS.

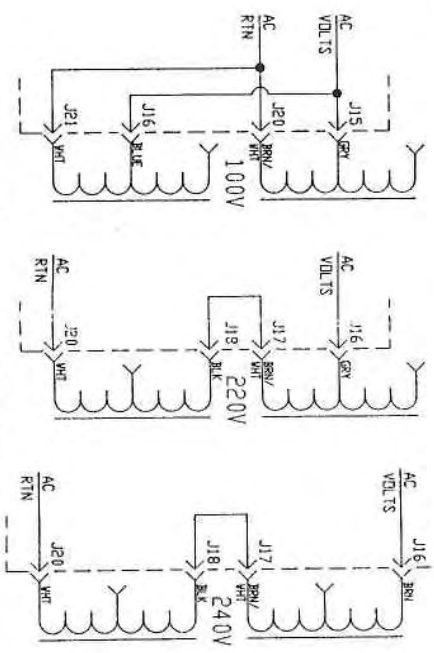
REV	DATE	BY	CHK'D	DESCRIPTION
A	9-13-90	ML	MGA	CHANGE VALUE OF R17
B	02/14/91	ML	MGA	ADDED R24, R25, R26, R27, R28, R29, R30, R31, R32, R33, R34, R35, R36, R37, R38, R39, R40, R41, R42, R43, R44, R45, R46, R47, R48, R49, R50, R51, R52, R53, R54, R55, R56, R57, R58, R59, R60, R61, R62, R63, R64, R65, R66, R67, R68, R69, R70, R71, R72, R73, R74, R75, R76, R77, R78, R79, R80, R81, R82, R83, R84, R85, R86, R87, R88, R89, R90, R91, R92, R93, R94, R95, R96, R97, R98, R99, R100, R101, R102, R103, R104, R105, R106, R107, R108, R109, R110, R111, R112, R113, R114, R115, R116, R117, R118, R119, R120, R121, R122, R123, R124, R125, R126, R127, R128, R129, R130, R131, R132, R133, R134, R135, R136, R137, R138, R139, R140, R141, R142, R143, R144, R145, R146, R147, R148, R149, R150, R151, R152, R153, R154, R155, R156, R157, R158, R159, R160, R161, R162, R163, R164, R165, R166, R167, R168, R169, R170, R171, R172, R173, R174, R175, R176, R177, R178, R179, R180, R181, R182, R183, R184, R185, R186, R187, R188, R189, R190, R191, R192, R193, R194, R195, R196, R197, R198, R199, R200, R201, R202, R203, R204, R205, R206, R207, R208, R209, R210, R211, R212, R213, R214, R215, R216, R217, R218, R219, R220, R221, R222, R223, R224, R225, R226, R227, R228, R229, R230, R231, R232, R233, R234, R235, R236, R237, R238, R239, R240, R241, R242, R243, R244, R245, R246, R247, R248, R249, R250, R251, R252, R253, R254, R255, R256, R257, R258, R259, R260, R261, R262, R263, R264, R265, R266, R267, R268, R269, R270, R271, R272, R273, R274, R275, R276, R277, R278, R279, R280, R281, R282, R283, R284, R285, R286, R287, R288, R289, R290, R291, R292, R293, R294, R295, R296, R297, R298, R299, R300, R301, R302, R303, R304, R305, R306, R307, R308, R309, R310, R311, R312, R313, R314, R315, R316, R317, R318, R319, R320, R321, R322, R323, R324, R325, R326, R327, R328, R329, R330, R331, R332, R333, R334, R335, R336, R337, R338, R339, R340, R341, R342, R343, R344, R345, R346, R347, R348, R349, R350, R351, R352, R353, R354, R355, R356, R357, R358, R359, R360, R361, R362, R363, R364, R365, R366, R367, R368, R369, R370, R371, R372, R373, R374, R375, R376, R377, R378, R379, R380, R381, R382, R383, R384, R385, R386, R387, R388, R389, R390, R391, R392, R393, R394, R395, R396, R397, R398, R399, R400, R401, R402, R403, R404, R405, R406, R407, R408, R409, R410, R411, R412, R413, R414, R415, R416, R417, R418, R419, R420, R421, R422, R423, R424, R425, R426, R427, R428, R429, R430, R431, R432, R433, R434, R435, R436, R437, R438, R439, R440, R441, R442, R443, R444, R445, R446, R447, R448, R449, R450, R451, R452, R453, R454, R455, R456, R457, R458, R459, R460, R461, R462, R463, R464, R465, R466, R467, R468, R469, R470, R471, R472, R473, R474, R475, R476, R477, R478, R479, R480, R481, R482, R483, R484, R485, R486, R487, R488, R489, R490, R491, R492, R493, R494, R495, R496, R497, R498, R499, R500, R501, R502, R503, R504, R505, R506, R507, R508, R509, R510, R511, R512, R513, R514, R515, R516, R517, R518, R519, R520, R521, R522, R523, R524, R525, R526, R527, R528, R529, R530, R531, R532, R533, R534, R535, R536, R537, R538, R539, R540, R541, R542, R543, R544, R545, R546, R547, R548, R549, R550, R551, R552, R553, R554, R555, R556, R557, R558, R559, R560, R561, R562, R563, R564, R565, R566, R567, R568, R569, R570, R571, R572, R573, R574, R575, R576, R577, R578, R579, R580, R581, R582, R583, R584, R585, R586, R587, R588, R589, R590, R591, R592, R593, R594, R595, R596, R597, R598, R599, R600, R601, R602, R603, R604, R605, R606, R607, R608, R609, R610, R611, R612, R613, R614, R615, R616, R617, R618, R619, R620, R621, R622, R623, R624, R625, R626, R627, R628, R629, R630, R631, R632, R633, R634, R635, R636, R637, R638, R639, R640, R641, R642, R643, R644, R645, R646, R647, R648, R649, R650, R651, R652, R653, R654, R655, R656, R657, R658, R659, R660, R661, R662, R663, R664, R665, R666, R667, R668, R669, R670, R671, R672, R673, R674, R675, R676, R677, R678, R679, R680, R681, R682, R683, R684, R685, R686, R687, R688, R689, R690, R691, R692, R693, R694, R695, R696, R697, R698, R699, R700, R701, R702, R703, R704, R705, R706, R707, R708, R709, R710, R711, R712, R713, R714, R715, R716, R717, R718, R719, R720, R721, R722, R723, R724, R725, R726, R727, R728, R729, R730, R731, R732, R733, R734, R735, R736, R737, R738, R739, R740, R741, R742, R743, R744, R745, R746, R747, R748, R749, R750, R751, R752, R753, R754, R755, R756, R757, R758, R759, R760, R761, R762, R763, R764, R765, R766, R767, R768, R769, R770, R771, R772, R773, R774, R775, R776, R777, R778, R779, R780, R781, R782, R783, R784, R785, R786, R787, R788, R789, R790, R791, R792, R793, R794, R795, R796, R797, R798, R799, R800, R801, R802, R803, R804, R805, R806, R807, R808, R809, R810, R811, R812, R813, R814, R815, R816, R817, R818, R819, R820, R821, R822, R823, R824, R825, R826, R827, R828, R829, R830, R831, R832, R833, R834, R835, R836, R837, R838, R839, R840, R841, R842, R843, R844, R845, R846, R847, R848, R849, R850, R851, R852, R853, R854, R855, R856, R857, R858, R859, R860, R861, R862, R863, R864, R865, R866, R867, R868, R869, R870, R871, R872, R873, R874, R875, R876, R877, R878, R879, R880, R881, R882, R883, R884, R885, R886, R887, R888, R889, R890, R891, R892, R893, R894, R895, R896, R897, R898, R899, R900, R901, R902, R903, R904, R905, R906, R907, R908, R909, R910, R911, R912, R913, R914, R915, R916, R917, R918, R919, R920, R921, R922, R923, R924, R925, R926, R927, R928, R929, R930, R931, R932, R933, R934, R935, R936, R937, R938, R939, R940, R941, R942, R943, R944, R945, R946, R947, R948, R949, R950, R951, R952, R953, R954, R955, R956, R957, R958, R959, R960, R961, R962, R963, R964, R965, R966, R967, R968, R969, R970, R971, R972, R973, R974, R975, R976, R977, R978, R979, R980, R981, R982, R983, R984, R985, R986, R987, R988, R989, R990, R991, R992, R993, R994, R995, R996, R997, R998, R999, R1000



RIGHT CHANNEL SAME AS LEFT. ADD 100 TO DESIGNATORS EXCEPT FOR THE FOLLOWING: R7, R8, R34-R44, C3, C4, C5, C15, C17, C20-C26, D3, D12-D21, Q13, J1-J5, J8-J22.



EXPORT WIRING



TEST POINTS	VOL. TAGE (RMS)	VOL. TAGE (DC)
1	.32	-15
2	.7	
3	.38	
4	.39	
5	4.2	
6	.7	
7		38.5
8		19

CONDITIONS: TEST POINTS AND VOL. TAGES TO BE TAKEN UNDER BOTH CHANNELS.

DESIGNATOR	DESCRIPTION	PART NUMBER
AP1, 101	500 OHM TRIM	71-501-02
D1-2, 5, 8		214145-01
D1:01, 102, 105		214145-01
D1:08		214145-01
D3		1N4740
D4, 7, 18-20		1N914
D4:04, 107, 109		1N914
D5, 9, 106, 109		1N3070
D10, 11, 110, 111		214593-01
D12-15		G1752
D15, 17		1N5353
D21		1N4749
Q1, 2, 3, 7, 13		MPS A56
Q1:01, 102, 103		MPS A56
Q1:07		MPS A56
Q4, 104		2N3440
Q5, 105		2N3440
Q6, 106		MPS A06
Q8, 108		TIP 32C
Q9, 109		TIP 32C
Q10, 110		MJ15001
Q11, 111		MJ15002
Q12, 112		J176
J1-5	1/4" CLIFF TRS	39-118-01
J6, 106	1/4" CLIFF T/S	39-118-01
J7, 107	1/4" CLIFF T/S	39-118-01
J8	11 PIN HEADER	17-310-11
J9-21	250 FASTON TAB	17-836-01
J22	GROUND LUG	17-500-01

- NOTES
- 1) CAUTION, SHOCK HAZARD!! THIS UNIT CONTAINS HAZARDOUS VOLTAGE. DISCONNECT POWER AND BE SURE POWER SUPPLY IS DISCHARGED BEFORE TOUCHING INTERNAL PARTS.
 - 2) UNLESS NOTED, RESISTOR VALUES IN OHMS, 1/4W-5% TOL. CAPACITOR VALUES IN MICROFARADS, 50V-10% TOL.
 - 3) VOLTAGES ARE MEASURED WITH 1 MEGOHM OSCILLOSCOPE AND 10 MEGOHM DIGITAL VOLTMETER.
 - 4) CIRCUIT GROUND ∇ SWITCH GROUND ∇ CHASSIS GROUND ∇
 - 5) SET AP-1 & AP-101 FOR 3MV ACROSS R26, R27, R126 AND R127.

CAUTION: THIS SCHEMATIC IS PROVIDED FOR USE BY QUALIFIED PERSONNEL. TO AVOID RISK OF ELECTRIC SHOCK, REFER SERVICING TO QUALIFIED SERVICE PERSONNEL. DO NOT PERFORM ANY SERVICING BEYOND THAT EXPLAINED IN THE OPERATING INSTRUCTIONS.

16-130-01 (X1)
16-131-01 (X1)

REV	DATE	BY	CHK'D	DESCRIPTION
B	03/14/91	MGA		SEE SHEET 1
A	9-13-90	ML		SEE SHEET 1

SIGNATURES:	DATE:	DESCRIPTION:
DRW: ML	7/26/90	
CHK'D: TEK	7-26-90	
APP'D: TEK	7-26-90	

DRAWING NAME:	PROJECT NAME:
SCHEMATIC DRAWING	G-130CXL/XLH
PLOT DATE:	03/14/91
PLOT TIME:	06:04:31
FILE NAME:	-130011B
SCALE:	1:1
SHEET:	2 OF 2