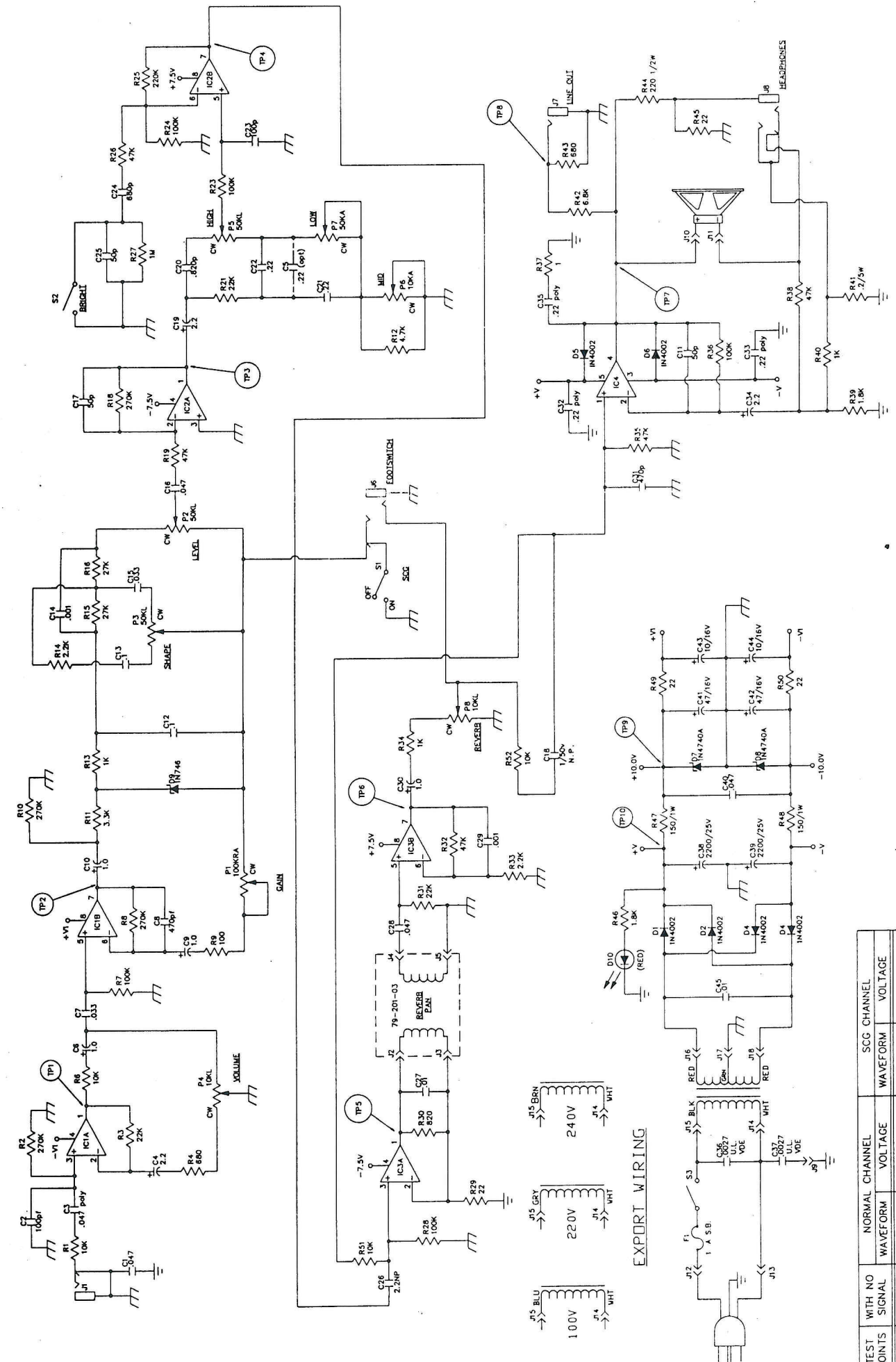


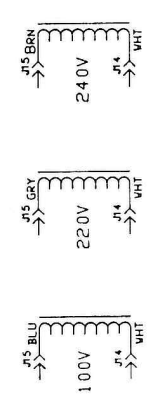
ITEM	DESCRIPTION	SLM PART #
D1 - D6	1N4002	21A402-01
D7, D8	1N740A	21A440-01
D9	1N746	21A446-01
D10	RED LED	21-224-01
S1, S2	DPDT SWITCH	88-302-01
S3	SPDT SWITCH	88-102-01
P4, P8	10KL	70-132-01
P1	100KRA	70-104-23
P2, P3, P5	50KL	70-133-01
P6	10KA	70-103-22
P7	50KA	70-503-22
IC1 - IC3	U44558	37-458-01
IC4	TDA2040	37-240-01
J1 - J5	CLIFF T/S	29-116-01
J6	187 TABS	17-897-01
J7	CLIFF T/R/S	39-817-01
J8	CLIFF T/S	39-116-01
J9	CLIFF T/R/S	39-117-01
J10 - J18	LUG CONNECT	17-500-01
	187 TABS	17-894-01
F1	1.0A FUSE	23-301-05
EXPORT	SLOW BLOW	23-300-05
	5A FUSE	
	SLOW BLOW	



- NOTES:**
- THIS UNIT CONTAINS HAZARDOUS VOLTAGE. DISCONNECT POWER AND BE SURE POWER SUPPLY IS DISCHARGED BEFORE TOUCHING INTERNAL PARTS.
 - UNLESS NOTED, RESISTOR VALUES IN OHMS. 1/4W-5% TOL. CAPACITOR VALUES IN MICROFARADS. 50V-10% TOL.
 - VOLTAGES ARE MEASURED WITH 1 MEGOHM OSCILLOSCOPE AND 10 MEGOHM DIGITAL VOLTMETER.
- CONDITIONS** 1) GAIN, LEVEL AND VOLUME 10; LOW, MID AND HIGH 5; SHAPE 5; REVERB 0;
BRIGHT SWITCH OFF. (4 Ohm LOAD, 120 VAC LINE)
- CAUTION:**
- THIS SCHEMATIC IS PROVIDED FOR USE BY QUALIFIED PERSONNEL. TO AVOID RISK OF ELECTRIC SHOCK, REFER SERVICING TO QUALIFIED SERVICE PERSONNEL. DO NOT PERFORM ANY SERVICING BEYOND THAT EXPLAINED IN THE OPERATING INSTRUCTIONS.

TEST POINTS	NORMAL CHANNEL		SCG CHANNEL	
	WAVEFORM	VOLTAGE	WAVEFORM	VOLTAGE
1	~	2.6v p-p	~	48mv p-p
2	~	1.3v p-p	~	34mv p-p
3	~	5.16v p-p	~	2.25v p-p
4	~	2v p-p	~	1.8v p-p
5	~	10v p-p	~	12v p-p
6	~	.6v p-p	~	.4v p-p
7	~	18v p-p	~	24v p-p
8	~	2.32v p-p	~	2.0v p-p
9	10v	62.2mv p-p		
10	15v	2.23v p-p		
INPUT	~	1kHz 100mv p-p	~	1kHz 1.5mv p-p

EXPORT WIRING



ORIG. DAN-4/17/89 *DJK-j-90*

VERS. DRAWN BY CHECKED BY APPROVED BY

PAGE # 1 OF 1 DRAWING # 16-042-01

DESCRIPTION: G-20XL SCHEMATIC

SLM ELECTRONICS
11880 BORMAN DR.
ST. LOUIS, MO 63146