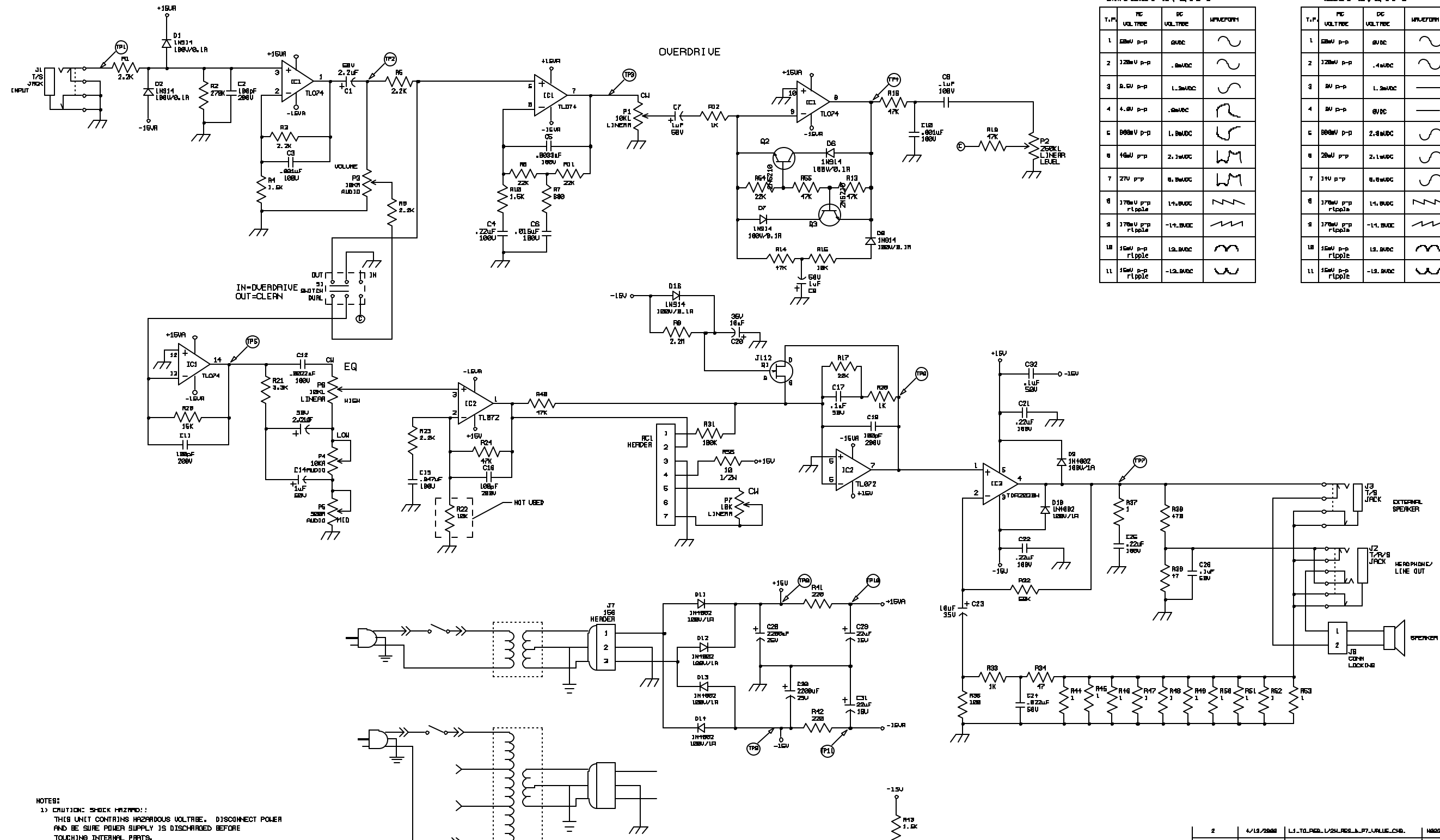


OVERDRIVE

GFX-15 (R) TEST POINTS

SNL IN (OVERDRIVE CHANNEL)				SNL OUT (CLEAN CHANNEL)			
INPUT SIGNAL: 50mV p-p @ 1kHz				INPUT SIGNAL: 50mV p-p @ 1kHz			
GAIN & LEVEL: *10; EQ: *5				VOLUME: *10; EQ: *5			
T.P.	AC VOLTAGE	DC VOLTAGE	WAVEFORM	T.P.	AC VOLTAGE	DC VOLTAGE	WAVEFORM
1	50mV p-p	0VDC	~	1	50mV p-p	0VDC	~
2	120mV p-p	0VDC	~	2	120mV p-p	0VDC	~
3	3.5V p-p	1.5mVDC	S	3	3V p-p	1.5mVDC	—
4	4.0V p-p	0VDC	~	4	3V p-p	0VDC	—
5	800mV p-p	1.5mVDC	S	5	800mV p-p	2.5mVDC	S
6	40mV p-p	2.5mVDC	W	6	20mV p-p	2.5mVDC	S
7	27V p-p	0VDC	W	7	14V p-p	0VDC	S
8	170mV p-p ripple	1.5mVDC	W	8	170mV p-p ripple	1.5mVDC	W
9	170mV p-p ripple	-1.5mVDC	W	9	170mV p-p ripple	-1.5mVDC	W
10	15mV p-p ripple	13.5mVDC	W	10	15mV p-p ripple	13.5mVDC	W
11	15mV p-p ripple	-13.5mVDC	W	11	15mV p-p ripple	-13.5mVDC	W



- NOTES:
- CAUTION: SHOCK HAZARD!! THIS UNIT CONTAINS HAZARDOUS VOLTAGE. DISCONNECT POWER AND BE SURE POWER SUPPLY IS DISCHARGED BEFORE TOUCHING INTERNAL PARTS.
  - UNLESS NOTED, RESISTOR VALUES IN OHMS, 1/4W-5% TOL. CAPACITOR VALUES IN MICROFARADS, 50V-10% TOL.
  - VOLTAGE ARE MEASURED WITH 1 MEGOHM OSCILLOSCOPE AND 10 MEGOHM DIGITAL VOLTMETER.

CAUTION: THIS SCHEMATIC IS PROVIDED FOR USE BY QUALIFIED PERSONNEL. TO AVOID RISK OF ELECTRIC SHOCK, REFER SERVICING TO QUALIFIED SERVICE PERSONNEL. DO NOT PERFORM ANY SERVICING BEYOND THAT EXPLAINED IN THE OPERATING INSTRUCTIONS.

2	4/19/2008	L1_TO_PCB_V24_RES_07_VOLVIE_C10	W02008
1	10/14/98	IC2_PCB_V01_1_PCB_V01_18V_TL_074R	EC000010
SIGNATURE:	DATE:	11808 MICHAEL DR. ST. LOUIS, MISSOURI 63118	
DRAWN:	FILE:	2-28-88	
CHK'D:	TEK:	4-28-88	PROJECT NAME:
APP'D:	TEK:	4-28-88	GFX-15
DATE:	ISSUED:	XXX	DRAWING NAME:
			MAIN_SCHEMATIC
PLAT DATE:	2:08	DRAWING NO.:	07S255-01
FILE NAME:	Z5501C1	SCALE:	NONE
		SHEET:	1_OF_1