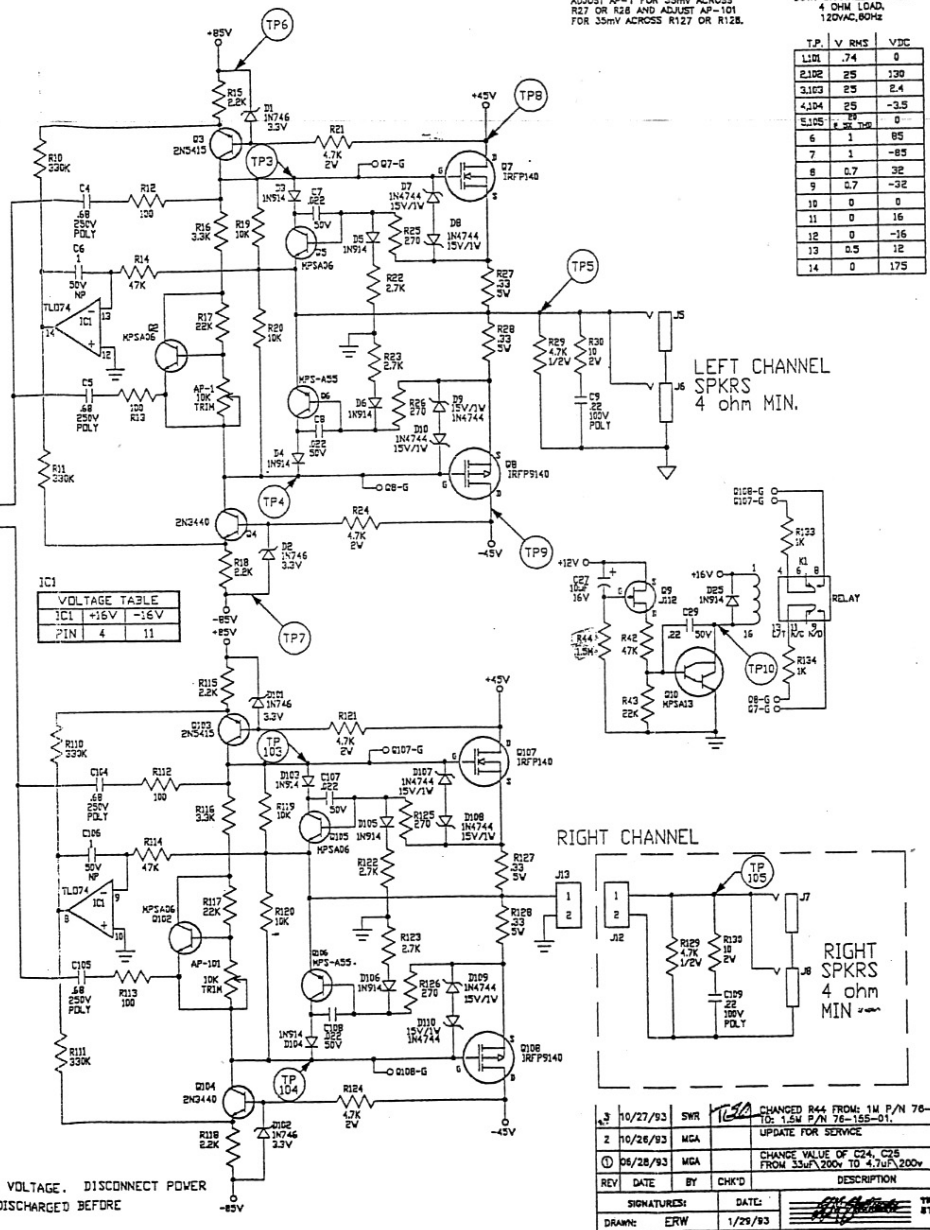


**CAUTION:**  
THIS SCHEMATIC IS PROVIDED FOR USE BY QUALIFIED PERSONNEL.  
TO AVOID RISK OF ELECTRIC SHOCK, REFER SERVICING TO QUALIFIED  
SERVICE PERSONNEL. DO NOT PERFORM ANY SERVICING BEYOND  
THAT EXPLAINED IN THE OPERATING INSTRUCTIONS.

- NOTES**
- 1) CAUTION: SHOCK HAZARD!!  
THIS UNIT CONTAINS HAZARDOUS VOLTAGE. DISCONNECT POWER  
AND BE SURE POWER SUPPLY IS DISCHARGED BEFORE  
TOUCHING INTERNAL PARTS.
  - 2) UNLESS NOTED, RESISTOR VALUES IN OHMS, 1/4W-5% TOL.  
CAPACITOR VALUES IN MICROFARADS, 50V-10% TOL.
  - 3) VOLTAGES ARE MEASURED WITH 1 MEGOHM OSCILLOSCOPE  
AND 10 MEGOHM DIGITAL VOLTMETER.
  - 4) AUDIO GROUND + SWITCH GROUND - CHASSIS GROUND



**VOLTAGE TABLE**

IC1	+16V	-16V
PIN	4	11

**TEST CONDITIONS**  
0.74Vrms @ 1 kHz INPUT  
BOTH CHANNELS DRIVEN  
4 OHM LOAD,  
120VAC, 60Hz

T.P.	V.	RMS	VDC
1.01	7.4	0	
2.02	25	120	
3.03	25	2.4	
4.04	25	-3.5	
5.05	25	0	
6	1	85	
7	1	-85	
8	0.7	32	
9	0.7	-32	
10	0	0	
11	0	16	
12	0	-16	
13	0.5	12	
14	0	175	

3 10/27/93 SWR *TEK* CHANGED R44 FROM: 1M P/N 76-105-01  
TO: 1.5M P/N 76-155-01

2 10/26/93 MGA UPDATE FOR SERVICE

1 06/28/93 MGA CHANGE VALUE OF C24, C25  
FROM 33uF/200V TO 4.7uF/200V

REV DATE BY CHK'D DESCRIPTION

SIGNATURES: DATE: *[Signature]* 1/29/93

DRAWN: ERW

CHK'D: TEK 01/29/93 PROJECT NAME: *[Signature]* TR80 BOWMAN DR.  
ST. LOUIS, MISSOURI  
63146

APP'D: MGA 01/29/93 GT-200

ORIGINAL ISSUED: 01/29/93 DRAWING NAME: POWER AMP SCHEMATIC

PLOT DATE: 10/27/93 PLOT TIME: 07:27:50 DRAWING NO. 75460-01

FILE NAME: 5460013 SCALE: 1:1 SHEET: 1 OF 1

LAST DES. NOT USED  
R44 R30  
C29 C19  
D25 D10  
Q11 Q08  
J29 JV38  
JV38