

TP	CONDITION "A"	CONDITION "B"	CONDITION "C"
1			
2			
3			
4			
5			
6			
7			
8			
9*			

Note Table
 [1] CONDITION "A" : SOLO CHANNEL
 GAIN & LEVEL @ '10', SHAPE @ '5'.
 1kHz 130mV SINE WAVE INPUT
 [2] CONDITION "B" : OVERDRIVE CHANNEL
 GAIN & LEVEL @ '10', LOW, MID & HIGH @ '5'.
 1kHz 130mV SINE WAVE INPUT
 [3] CONDITION "C" : CLEAN CHANNEL
 VOLUME @ 10, LOW, MID, HIGH @ 5.
 1kHz 130mV SINE WAVE INPUT
 * FOR TEST POINT 9, PUT A 150 OHM
 RESISTOR FROM J6 TO J7.

Power Table			
RefDes	-15V	+15V	
IC1	4	8	
IC2	4	8	
IC3	4	8	
IC4	4	8	
IC5	4	8	

CAUTION:
 THIS SCHEMATIC IS PROVIDED FOR USE BY QUALIFIED PERSONNEL.
 TO AVOID RISK OF ELECTRIC SHOCK, REFER SERVICING TO QUALIFIED
 SERVICE PERSONNEL. DO NOT PERFORM ANY SERVICING BEYOND
 THAT EXPLAINED IN THE OPERATING INSTRUCTIONS.

NOTES:
 1) CAUTION: SHOCK HAZARD!!
 THIS UNIT CONTAINS HAZARDOUS VOLTAGE. DISCONNECT POWER
 AND BE SURE POWER SUPPLY IS DISCHARGED BEFORE
 TOUCHING INTERNAL PARTS.
 2) UNLESS NOTED, RESISTOR VALUES IN OHMS, 1/4W-5% TOL.
 CAPACITOR VALUES IN MICROFARADS, 50V-10% TOL.
 3) VOLTAGES ARE MEASURED WITH 1 MEGOHM OSCILLOSCOPE
 AND 10 MEGOHM DIGITAL VOLTMETER.

ASSY P/N 07-199-01 65WATT VERSION
 ASSY P/N 07-199-02 120 WATT VERSION

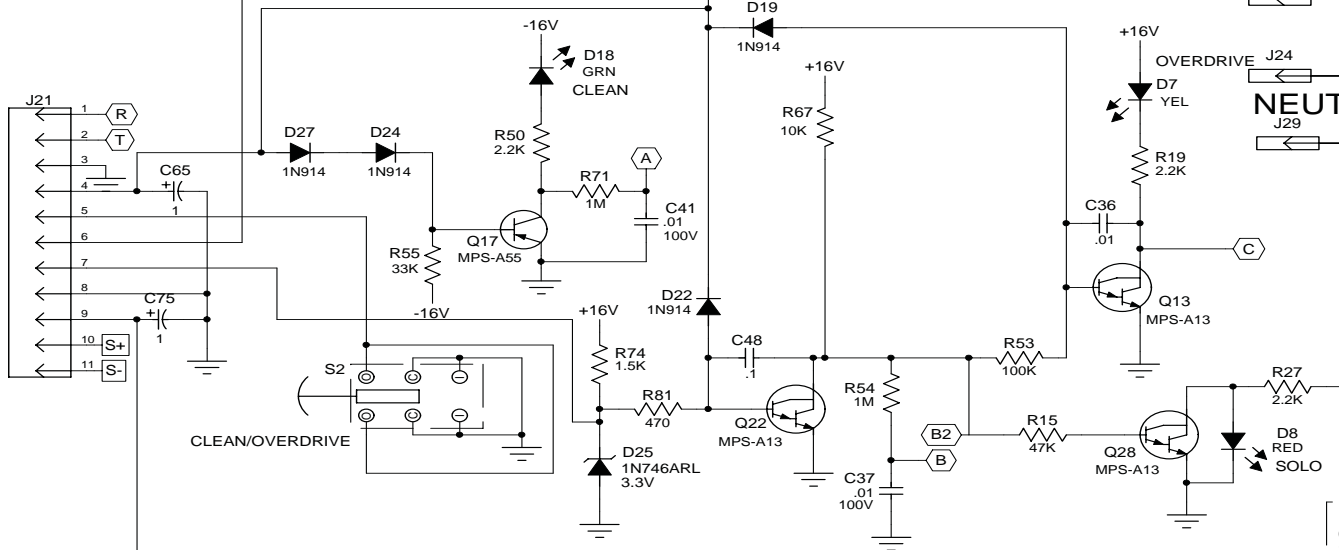
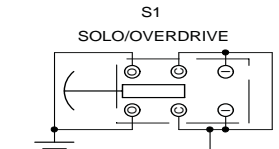
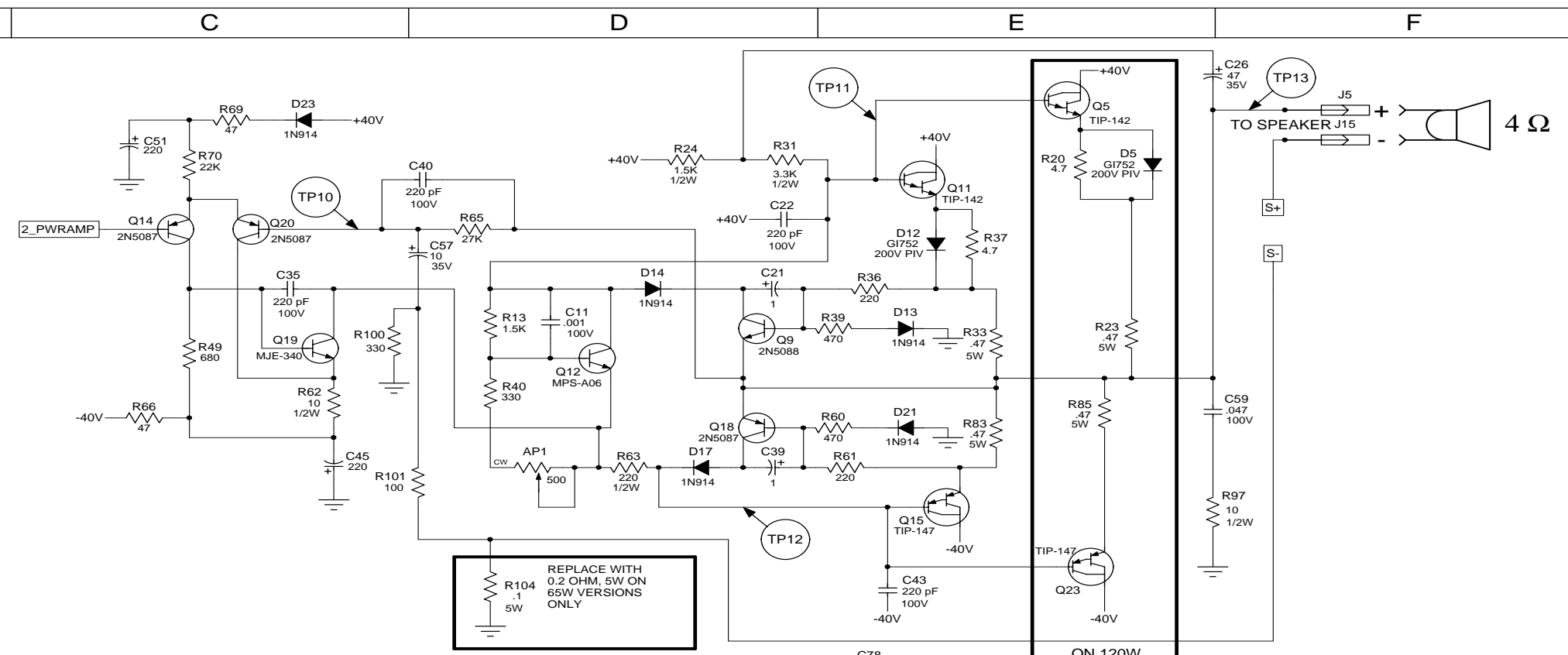
B	4/18/03	CHG'D C36 FROM .1 TO .01UF	R00987	REM		
A	8/08/02	INITIAL ISSUE				
REV	Date	DESCRIPTION	Ecr(s)/Ecn(s)	Chgd By	Appvd by	Date
THE INFORMATION CONTAINED ON THIS DRAWING IS PROPRIETARY TO ST. LOUIS MUSIC, INC						
Signatures:			Date:		 11880 Borman Drive, St. Louis, MO 63146 First Used On:	
Drawn: REM			7/16/02			
Checked:					GT65/120a	
Released:					PWA - GUITAR AMP	
Plot Date: Thu Apr 17, 2003		Drawing Size: C		Drawing Title:		
Plot Time: 15:15:50		Drawing Type: Schematic		Drawing Number:		
Tolerance:			Class Code: NONE		07S199-XX	
Sheet 1 of 2						

TEST POINT CONDITIONS FOR POWER AMP:
1.1Vpp 1kHz SINE WAVE INPUT INTO INSERT TIP, 4 OHM LOAD

TP	AC	DC
10	.65Vpp	.048V
11	35Vpp	1.4V
12	35Vpp	-.67V
13	32Vpp	.048V
14	1.8Vpp RIPPLE	34V
15	1.8Vpp RIPPLE	-34V

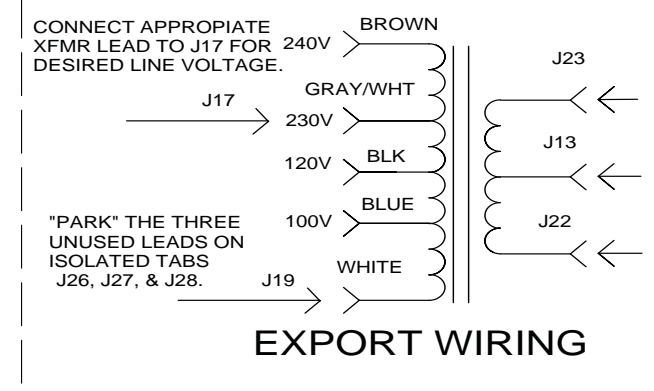
SWITCHING LOGIC

	A	B	C
SOLO	-10V	+10V	0V
OVERDRIVE	-10V	0V	+10V
CLEAN	0V	+10V	0V OR +10V



CAUTION:
THIS SCHEMATIC IS PROVIDED FOR USE BY QUALIFIED PERSONNEL.
TO AVOID RISK OF ELECTRIC SHOCK, REFER SERVICING TO QUALIFIED
SERVICE PERSONNEL. DO NOT PERFORM ANY SERVICING BEYOND
THAT EXPLAINED IN THE OPERATING INSTRUCTIONS.

NOTES:
1) CAUTION: SHOCK HAZARD!!
THIS UNIT CONTAINS HAZARDOUS VOLTAGE. DISCONNECT POWER
AND BE SURE POWER SUPPLY IS DISCHARGED BEFORE
TOUCHING INTERNAL PARTS.
2) UNLESS NOTED, RESISTOR VALUES IN OHMS, 1/4W-5% TOL.
CAPACITOR VALUES IN MICROFARADS, 50V-10% TOL.
3) VOLTAGES ARE MEASURED WITH 1 MEGOHM OSCILLOSCOPE
AND 10 MEGOHM DIGITAL VOLTMETER.



REV	Date	DESCRIPTION	Ecr(s)/Ecn(s)	Chgd By	Appvd by	Date
B	4/18/03	CHG'D C36 FROM .1 TO .01UF	R00987	REM		
A	8/08/02	INITIAL ISSUE				

THE INFORMATION CONTAINED ON THIS DRAWING IS PROPRIETARY TO
ST. LOUIS MUSIC, INC.

Signatures: _____ Date: _____
Drawn: REM 7/16/02
Checked: _____
Released: _____
First Used On: _____
11880 Borman Drive, St. Louis, MO 63146
GT65/120a

Plot Date: Thu Apr 17, 2003 Drawing Size: C Drawing Title: PWA - GUITAR AMP
Plot Time: 15:15:51 Drawing Type: Schematic
Tolerance: _____ Class Code: NONE Drawing Number: 07S199-XX
Sheet 2 of 2