

TEST POINT CONDITIONS FOR PREAMP:

CONDITION "A" - CHANNEL A, GAIN 1 SELECTED, GAIN 3 @ '10' LOW & HIGH @ '5' LEVEL @ '10', REV @ '0', 1KHZ 40MV SINE WAVE INPUT.

CONDITION "B" - CHANNEL A, GAIN 2 SELECTED, GAIN 2 @ '10' LOW, HIGH @ SHAPE '5', LEVEL @ '10', REV @ '0', 1KHZ 40MV SINE WAVE INPUT.

CONDITION "C" - CHANNEL B, LEVEL @ '10' LOW, HIGH @ '5', REV @ '0', 1KHZ 100MV SINE WAVE INPUT.

TP	CONDITION "A"	CONDITION "B"	CONDITION "C"
1	~ .48Vp-p	~ .48Vp-p	~ 1.5Vp-p
2	~ 5.2Vp-p	~ 1.6Vp-p	~ 5.4Vp-p
3	~ 5.4Vp-p	~ 7Vp-p	~ 5.5Vp-p
4	~ 5Vp-p	~ 5Vp-p	
5	~ 12Vp-p	~ 14Vp-p	
6	~ 2.8Vp-p	~ 2.8Vp-p	~ 8Vp-p
7	~ 8Vp-p	~ 8Vp-p	~ 8Vp-p
8	~ 8Vp-p	~ 8Vp-p	~ 8Vp-p

TEST POINT CONDITIONS FOR POWER AMP:
1KHZ SINE WAVE INPUT INTO INSERT TIP, 4 OHM LOAD.

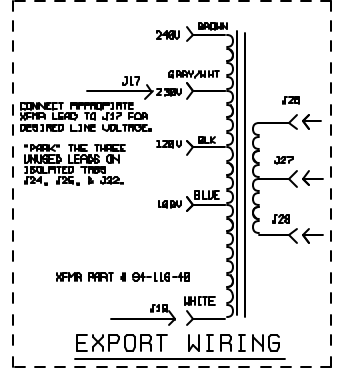
TP	AC	DC
9	1Vp-p	0
10	.65Vp-p	.23
11	32.5Vp-p	1.3
12	32.5Vp-p	-.06
13	30Vp-p	0
14	1.5Vp-p RIPPLE	35
15	1.5Vp-p RIPPLE	-35

NOTES:
1) DURING SHOCK HAZARD!! THIS UNIT CONTAINS HAZARDOUS VOLTAGE. DISCONNECT POWER AND BE SURE POWER SUPPLY IS DISCHARGED BEFORE TOUCHING INTERNAL PARTS.
2) UNLESS NOTED, RESISTOR VALUES IN OHMS, 1/4W-5% TOL. CAPACITOR VALUES IN MICROFARADS, 50V-10% TOL.
3) VOLTAGES ARE MEASURED WITH A HIGH IMPEDANCE OSCILLOSCOPE AND 10 MEGOHM DIGITAL VOLTMETER.

CAUTION:
THIS SCHEMATIC IS PROVIDED FOR USE BY QUALIFIED PERSONNEL. TO AVOID RISK OF ELECTRIC SHOCK, REFER SPECIFICALLY TO QUALIFIED SERVICE PERSONNEL. DO NOT PERFORM ANY SERVICING BEYOND THAT EXPLAINED IN THE OPERATING INSTRUCTIONS.

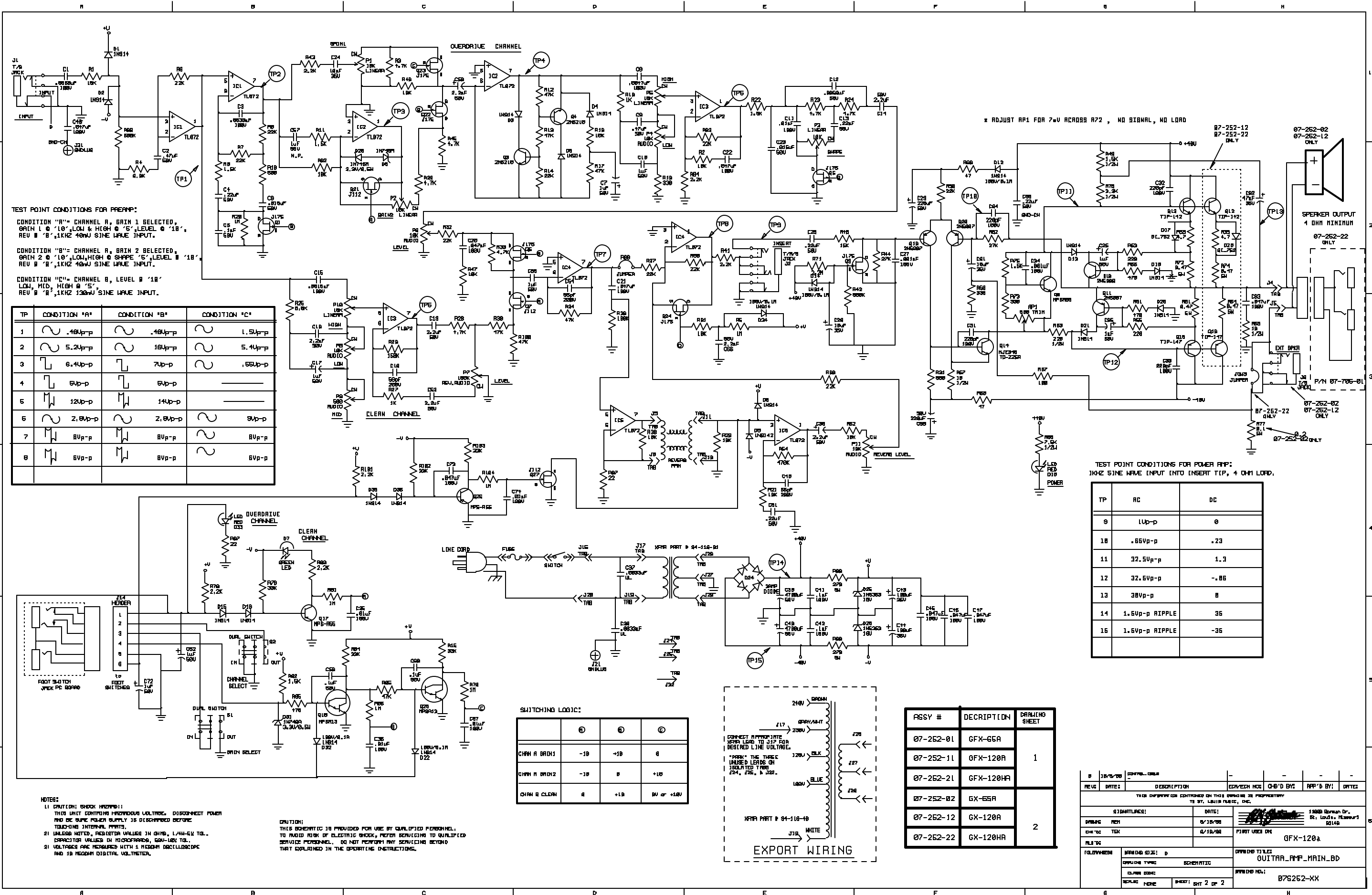
SWITCHING LOGIC:

	0	1	2
CHN A BRN1	-1B	+1B	B
CHN A BRN2	-1B	B	+1B
CHN B CLEAN	B	+1B	0U or +10U



ASSY #	DESCRIPTION	DRAWING SHEET
07-252-01	6FX-65A	1
07-252-11	6FX-120A	
07-252-21	6FX-120HA	2
07-252-02	6X-65A	
07-252-12	6X-120A	
07-252-22	6X-120HA	

REV	DATE	DESCRIPTION	DESIGNER	CHECKED BY	APP'D BY	DATE
1	8/15/98	THIS INFORMATION CONTAINED ON THIS DRAWING IS PROPRIETARY TO ST. LOUIS MUSIC, INC.				
SIGNATURES:		DATE:	L1000 6/24/98 P. LINDY, MANAGER			
DRAWN BY:		DATE:	FIRST REV. 08			
CHECKED BY:		DATE:	BFX-120A			
TOLERANCES:		DRAWING SIZE: D		DRAWING TITLE		
		DRAWING TYPE: SCHEMATIC		GUITAR AMP MAIN BD		
		DRAWN CHECK:		DRAWING NO.:		
		SCALE: NONE		07252-XX		
		SHEET: 1 OF 2				



TEST POINT CONDITIONS FOR PREAMP:
CONDITION "A": CHANNEL A, GAIN 1 SELECTED, GAIN 1 @ '10', LOW & HIGH @ '5', LEVEL @ '18', REV # 'B', 1KHZ 40mV SINE WAVE INPUT.
CONDITION "B": CHANNEL A, GAIN 2 SELECTED, GAIN 2 @ '10', LOW, HIGH @ SHAPE '5', LEVEL @ '18', REV # 'B', 1KHZ 40mV SINE WAVE INPUT.
CONDITION "C": CHANNEL B, LEVEL @ '18', LOW, MED, HIGH @ '5', REV # 'B', 1KHZ 120mV SINE WAVE INPUT.

TP	CONDITION "A"	CONDITION "B"	CONDITION "C"
1	~ .48Vp-p	~ .48Vp-p	~ 1.5Vp-p
2	~ 5.2Vp-p	~ 18Vp-p	~ 5.4Vp-p
3	~ 6.4Vp-p	~ 7Vp-p	~ .65Vp-p
4	~ 5Vp-p	~ 5Vp-p	~
5	~ 12Vp-p	~ 14Vp-p	~
6	~ 2.0Vp-p	~ 2.0Vp-p	~ 5Vp-p
7	~ 8Vp-p	~ 8Vp-p	~ 8Vp-p
8	~ 5Vp-p	~ 8Vp-p	~ 5Vp-p

TEST POINT CONDITIONS FOR POWER AMP:
 1KHZ SINE WAVE INPUT INTO (INSERT TIP, 4 OHM LOAD).

TP	AC	DC
9	~ 1Vp-p	0
10	~ 55Vp-p	~ 23
11	~ 32.5Vp-p	~ 1.3
12	~ 32.5Vp-p	~ -.86
13	~ 38Vp-p	0
14	~ 1.5Vp-p RIPPLE	~ 35
15	~ 1.5Vp-p RIPPLE	~ -35

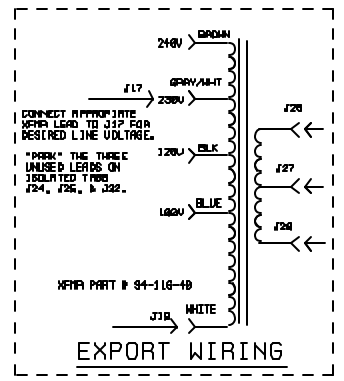
ASSY #	DESCRIPTION	DRAWING SHEET
07-252-01	GFX-65A	1
07-252-11	GFX-120A	
07-252-21	GFX-120HA	
07-252-02	GX-65A	2
07-252-12	GX-120A	
07-252-22	GX-120HA	

REV	DATE	DESCRIPTION	DESIGNED BY	CHEK'D BY	APP'D BY	DATE
1	10/18/98	CONTR. CHG	-	-	-	-
2	12/18/98	REVISED TO ADD OVERDRIVE CHANNEL	J. S. WILSON	J. S. WILSON	J. S. WILSON	12/18/98

NOTES:
 1) CAUTION! CHECK HEADROOM!
 THIS UNIT CONTAINS HAZARDOUS VOLTAGE. DISCONNECT POWER AND BE SURE POWER SUPPLY IS DESCRIBED BEFORE TOUCHING INTERNAL PARTS.
 2) UNLESS NOTED, RESISTOR VALUES IN OHMS, 1/4W-5% TOL., CAPACITOR VALUES IN MICROFARADS, 50V-10% TOL., VOLTAGE ARE INDICATED WITH A HIDDEN DECIMAL PLACE AND 10 HIDDEN DIGITIAL VOLTERTES.
 CAUTION: THIS SCHEMATIC IS PROVIDED FOR USE BY QUALIFIED PERSONNEL TO AVOID RISK OF ELECTRIC SHOCK, REFER SERVICING TO QUALIFIED SERVICE PERSONNEL. DO NOT PERFORM ANY SERVICING BEYOND THAT EXPLAINED IN THE OPERATING INSTRUCTIONS.

SWITCHING LOGIC:

	①	②	③
CHN A BRN1	-10	-10	0
CHN A BRN2	-10	0	+10
CHN B CLEAN	0	+10	0V or +10V



* ADJUST RP1 FOR 7mV ACROSS R72, NO SIGNAL, NO LOAD

07-252-02
07-252-12

07-252-02
07-252-12

07-252-02
07-252-12

07-252-02
07-252-12

07-252-02
07-252-12

07-252-02
07-252-12

07-252-02
07-252-12

07-252-02
07-252-12

07-252-02
07-252-12

07-252-02
07-252-12

07-252-02
07-252-12

07-252-02
07-252-12

07-252-02
07-252-12

07-252-02
07-252-12

07-252-02
07-252-12

07-252-02
07-252-12

07-252-02
07-252-12

07-252-02
07-252-12

07-252-02
07-252-12

07-252-02
07-252-12

07-252-02
07-252-12

07-252-02
07-252-12

07-252-02
07-252-12

07-252-02
07-252-12

07-252-02
07-252-12

07-252-02
07-252-12

07-252-02
07-252-12

07-252-02
07-252-12

07-252-02
07-252-12

07-252-02
07-252-12

07-252-02
07-252-12

07-252-02
07-252-12

07-252-02
07-252-12

07-252-02
07-252-12

07-252-02
07-252-12

07-252-02
07-252-12

07-252-02
07-252-12

07-252-02
07-252-12